

AFFDL-TR-67-192  
VOLUME III

**ESTABLISHMENT OF AN UNSYMMETRICAL WAKE TEST  
CAPABILITY FOR AERODYNAMIC DECELERATORS**

**VOLUME III. EXPERIMENTAL WAKE SURVEY  
AND BODY SURFACE PRESSURE DATA**

*DANIEL W. HENKE*

This document has been approved for public  
release and sale; its distribution is unlimited.

FOREWORD

The work described in this report was performed by Goodyear Aerospace Corporation (GAC), Akron, Ohio, under USAF Contract AF33(615)-3595. The contract was initiated under Project 6065, "Performance and Design of Deployable Aerodynamic Decelerators," Task 606507, "Aerodynamic Decelerator Free-Flight Performance at High Mach Numbers." The program was administered by the Air Force Flight Dynamics Laboratory, Air Force Systems Command, Wright-Patterson Air Force Base, Ohio. Mr. W. R. Pinnell and Mr. C. A. Babish, III, (FDFR), were project engineers.

The work covered in this report was initiated on 1 March 1966 and completed on 15 January 1968. The report was submitted in March 1968.

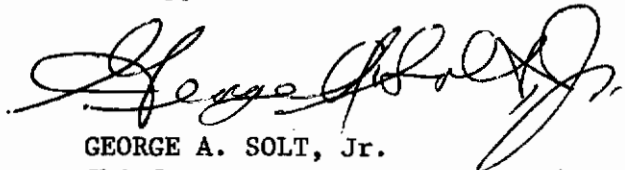
This volume does not cover the program's primary objectives. Volume I presents analyses and preliminary design efforts to determine feasibility of reconfiguring a free flight decelerator test vehicle by means of an inflatable appendage in order to simulate the wake of a lifting body. Volume II presents an investigation and analysis of aerodynamic decelerator performance in supersonic wake flow fields.

The contractor's report number is GER-13528.

Acknowledgements are made to the following personnel of Goodyear Aerospace Corporation who contributed to the program: D. W. Henke, R. J. Manzuk, J. T. McShera, I. M. Jaremenko, F. A. Pake, S. A. Weinberg, J. J. Dean, Jr., and various other personnel who contributed to the various supporting tests and analyses.

Acknowledgement is also made of the conscientious support of personnel at the von Karman Facility, Supersonic Branch, Arnold Engineering Development Center with special recognition to Mr. A. W. Myers, VKF Project Engineer, for his cooperation and attentions during the wind tunnel tests.

This technical report has been reviewed and is approved.



GEORGE A. SOLT, Jr.  
Chief, Recovery & Crew Station Branch  
Vehicle Equipment Division  
AF Flight Dynamics Laboratory

## ABSTRACT

A series of wind tunnel tests was conducted to determine pressure distribution on the surface of and in the wake of axisymmetric and asymmetric (elliptical) forebodies. These tests were conducted in support of boundary layer and wake analyses required as a basis for establishing an analytical method for predicting the drag of PARASONIC<sup>1</sup> parachutes deployed in the wakes of these forebodies. The analysis of the data obtained during this test is described in Volumes I and II of this report. Tabulations of the data obtained during these tests are presented in this volume.

The distribution of this abstract is unlimited.

---

<sup>1</sup>TM, Goodyear Aerospace Corporation, Akron, Ohio

# *Contrails*

TABLE OF CONTENTS

Section	Title	Page
I	INTRODUCTION . . . . .	1
II	PRESSURE DATA . . . . .	5
	1. Test Setup . . . . .	5
	2. Data Accuracy . . . . .	5
	3. Tabulated Data . . . . .	6
	<u>a.</u> General . . . . .	6
	<u>b.</u> Wake and Surface Pressures (Configura- tions 1 through 5) . . . . .	6
	<u>c.</u> Surface Pressures (Configuration 4) . . . . .	229
	<u>d.</u> Wake Centerline Measured Pressures and Temperatures (Configuration 2) . . . . .	235
	<u>e.</u> Wake Centerline Calculated Parameters (Configuration 2) . . . . .	294
	<u>f.</u> Wake Pressures (Configuration 2) . . . . .	307

(Reverse is blank)

# *Contrails*

LIST OF SYMBOLS

- CONF = forebody configuration number
- D = forebody base diameter, in.
- MINF, MACH = free stream Mach number (dimensionless)
- ML = calculated local Mach numbers (dimensionless)
- P = measured local pressure, psia
- P<sub>b</sub>, P<sub>B</sub> = forebody base pressure, psia
- PINF, P<sub>∞</sub> = free stream static pressure, psia
- P<sub>0</sub>, P<sub>O</sub> = tunnel stilling chamber pressure, psia
- PS = measured static pressure, psia
- PT = plenum tank pressure, psia
- PTL 2 = measured local total pressure, psia
- PTL = calculated local total pressure, psia
- q, QINF, q<sub>∞</sub> = free stream dynamic pressure, psia
- QL = local dynamic pressure psia
- RE, RE/IN, Re<sub>∞</sub> = free stream unit Reynolds number, in.<sup>-1</sup>
- T<sub>0</sub>, T<sub>O</sub>, TT = tunnel stagnation temperature, R
- T1, T2 = local stagnation temperature, R
- X = downstream distance from forebody base, in.
- Y = vertical distance from forebody centerline, in.  
(+ above and - below)
- Z = horizontal distance from forebody centerline, in.  
(+ right and - left, looking upstream)

# *Contrails*



SECTION I  
INTRODUCTION

These data consist of wake pressure and temperature measurements on both vertical and horizontal axes at various stations aft of several axisymmetric and asymmetric forebodies. Forebody surface pressures are presented along with the wake pressure and temperature measurements.

The wake centerline pressure and temperature data were obtained with single low-interference probes. The remainder of the wake profiles at each station were obtained with multiprobe cruciform design rakes. Two basic rakes were used for pressure measurement: one for static pressure measurement and the other for total pressure and temperature measurement. Table I lists the various rakes used and the location of the pressure probes on these rakes. Figure 1 shows the details of the forebody models. Figure 2 depicts the forebody models and the locations of the surface pressure orifices.

TABLE I - WAKE PROBE LOCATIONS

Probe number	Section II, Item 1				Section II, Item 2	
	Pitot rake		Static rake		Pitot rake	
	Y (in.)	Z (in.)	Y (in.)	Z (in.)	Y (in.)	Z (in.)
1	-1.610	0	-0.966	0	-4.57	0
2	0	0	-0.483	0	-4.17	0
3	0.322	0	+0.322	0	-3.77	0
4	0.644	0	+0.805	0	-3.37	0
5	0.966	0	0	-1.449	-2.97	0
6	1.288	0	0	-0.966	-2.57	0
7	1.610	0	0	-0.483	-2.17	0
8	1.932	0	0	+0.322	-1.77	0
9	2.576	0	0	0.805	-1.37	0
10	0	-2.576	0	1.289	-0.97	0
11	0	-1.610	0	1.932	-0.64	0
12	0	+0.322	0	2.576	-0.32	0
13	0	0.644			2.17	0
14	0	0.966			3.37	0
15	0	1.288			0	-4.57
16	0	1.610			0	-4.17
17	0	1.932			0	-3.77
18	0	2.254			0	-3.37
19	0	2.576			0	-2.97
20	0	2.898			0	-2.57
21	0	3.220			0	-2.17
22	0	3.864			0	-1.77
23	0	4.508			0	-1.37
24	0	5.152			0	0
25					0	0.32
26					0	0.64
27					0	0.96
28					0	1.28
29					0	1.60
30					0	1.92
31					0	2.57
T1	-0.966	0			+0.966	0
T2	0	-0.966			0	-0.97

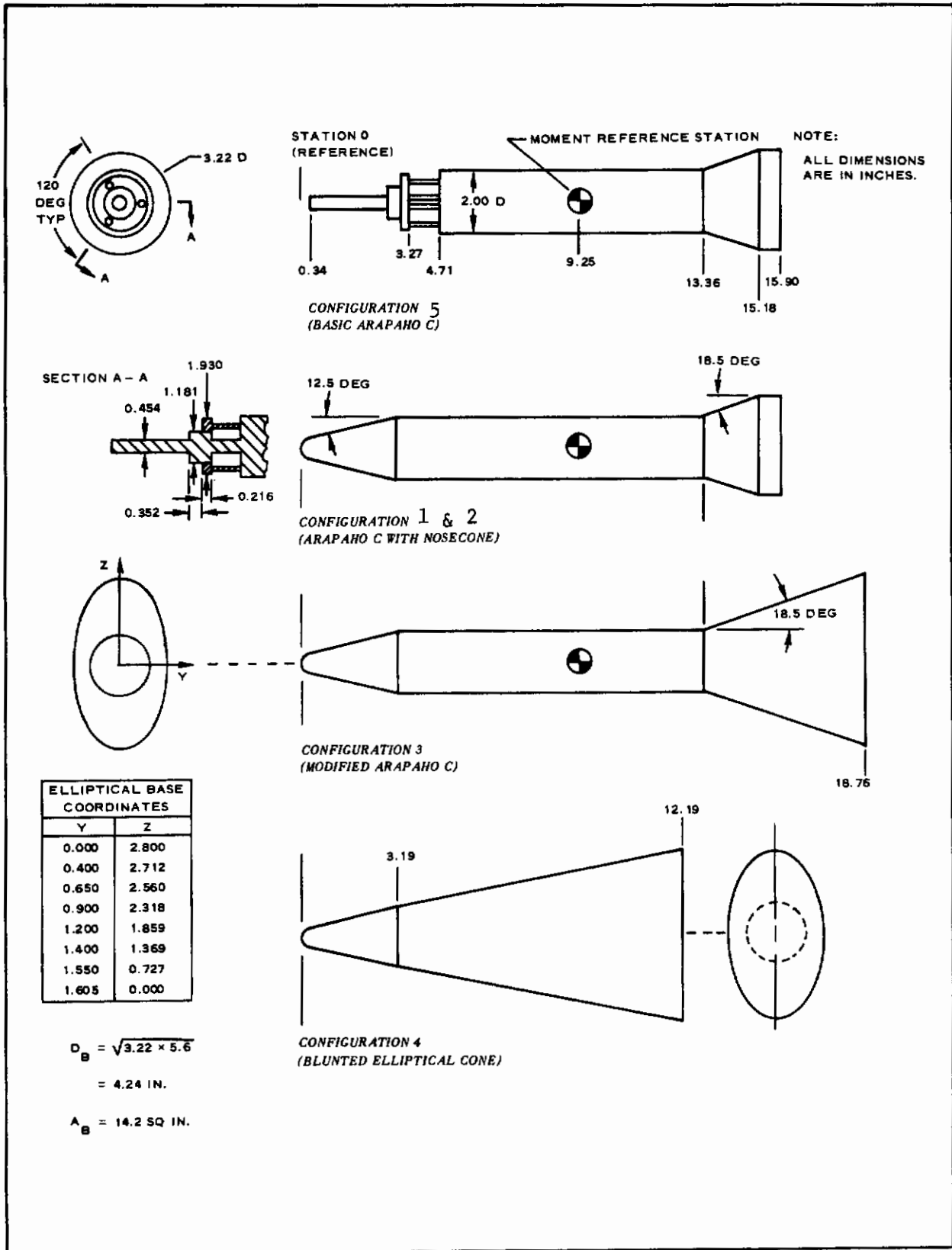


Figure 1 - Forebody Model Details

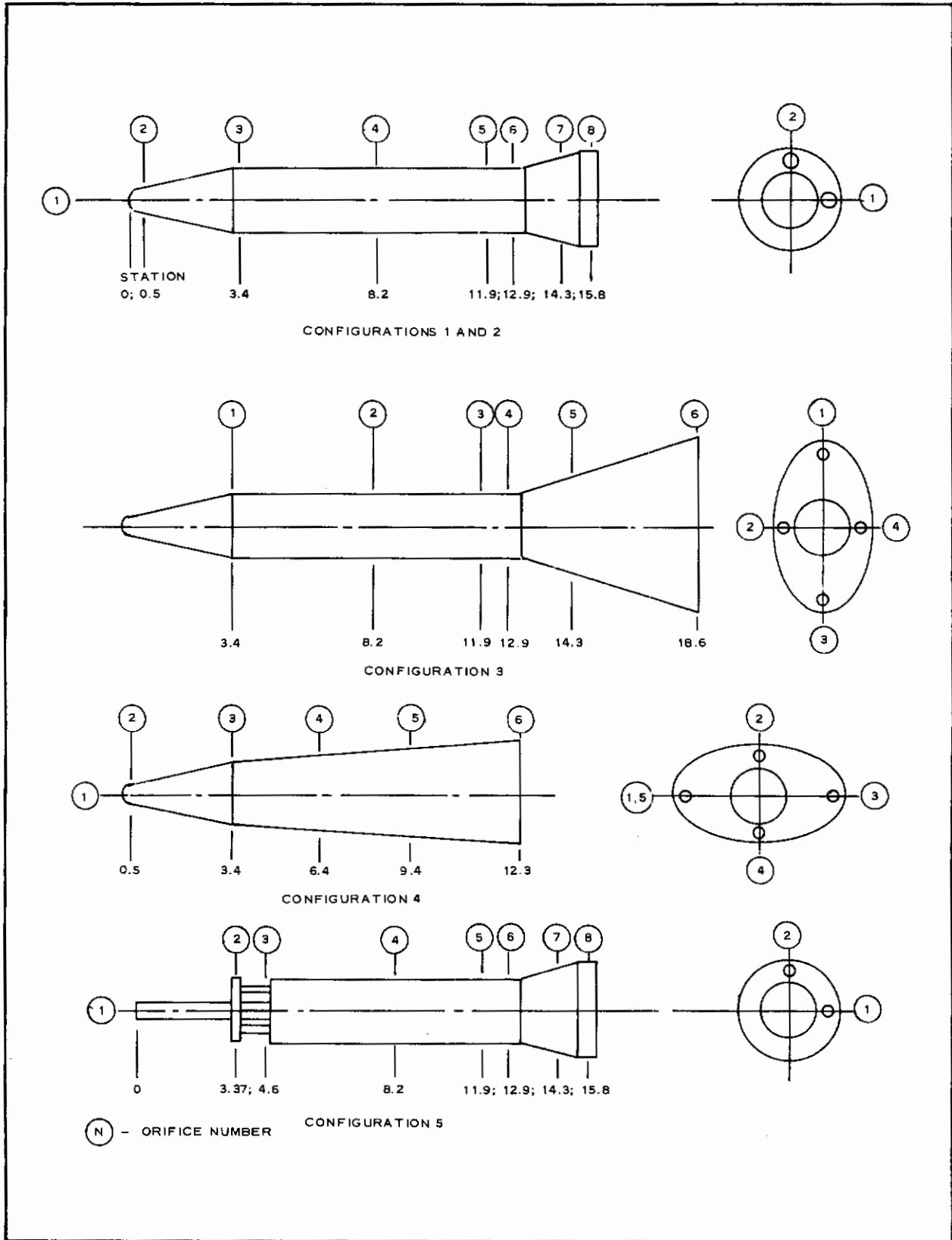


Figure 2 - Surface Pressure Orifice Locations

SECTION II  
PRESSURE DATA

1. TEST SETUP

All wind-tunnel tests in support of this program were conducted in the 40-in. supersonic tunnel (Gas Dynamics Wind Tunnel, Supersonic A) of the von Karman Gas Dynamics Facility (VKF), AEDC. The forebody surface and wake pressures tabulated in this volume were obtained using the following forebody configurations:

1. Configuration 1 - Axisymmetric blunted cone-cylinder-flare-cylinder with simulated riser line, 1/8" diam.
2. Configuration 2 - Same as Configuration 1, without simulated riser line
3. Configuration 3 - Axisymmetric cone cylinder as in Configurations 1 and 2, with elliptical flare
4. Configuration 4 - Axisymmetric cone as in Configuration 1, with elliptical flare
5. Configuration 5 - Spike-cylinder-flare-cylinder

These forebody configurations are shown in Figure 1

All forebody models were supported with a wall-to-wall, constant-chord, constant-thickness strut having wedge leading and trailing edges.

2. DATA ACCURACY

From calibration results, the maximum variation of tunnel centerline Mach number is about  $\pm 0.5$  percent. The tunnel stilling chamber temperature is considered to be accurate to  $\pm 3$  R. The tunnel stilling chamber pressure,  $P_{\infty}$ , was measured with transducers of 5-, 15-, 30-, 60-, 150- and 300-psid (pounds per square inch, differential) capacity that are considered accurate to within 0.3 percent of full-scale capacity.

The model base pressures were measured with 1-, 5-, and 15-psid capacity transducers, referenced to a near vacuum, which are also considered accurate to within 0.3 percent of the transducer capacity. The lowest base pressures were encountered at the  $M_{\infty} = 5$ , low Reynolds number test conditions. At these test conditions,  $P_{\infty}$  base pressures were approximately 0.008 psia. The 0.3 percent accuracy of a 1 psid transducer could then introduce errors of approximately  $\pm 37.5$  percent of the measured values.

The local wake pitot and static pressures were measured with transducers of the same capacity as those used for base pressure measurement. Again the lowest pressure and, therefore, the greatest inaccuracies, were encountered at the  $M_{\infty} = 5$ , low Reynolds number test conditions. In the measurement of the wake static pressures, which are the lowest pressures measured, the inherent error of a 1-psid transducer appears in the third significant digit except for the  $M_{\infty} = 5$  case. The total pressures, being higher than the static pressures, should then reflect a higher degree of accuracy. For the  $M_{\infty} = 5$ , low-Reynolds number conditions, combined errors in measurement of the wake static and pitot pressures may introduce inaccuracies of 0.2 M at  $M_L = 1.0$ . The inaccuracy, in this case, was determined by using maximum errors in pressure measurements. The local static pressure was assumed to be equal to free-stream static pressure and to be measured with a 1-psid transducer; the pitot pressure was assumed to be measured with a 5-psid transducer. With the assumptions at free stream Mach numbers of 4, 3, and 2 and at the low Reynolds number condition, inaccuracies in measuring a local Mach number of 1.0 are 0.11, 0.06, and 0.03 M, respectively. At the high Reynolds number conditions for these tests, the accuracy of measurement of  $M_L = 1.0$ , at  $M_{\infty} = 5$ , is increased by approximately a factor of four. The lower Mach number test cases reflect a similar accuracy increase at the high Reynolds number test conditions.

### 3. TABULATED DATA

#### a. General

The data within this item are presented as follows:

1. In Item 3, b, wake pressures and forebody surface pressures for Configurations 1 through 5. In this series of tests, the major axis of the elliptical base for Configurations 3 and 4 was in the same plane as the horizontal strut. Forebody surface pressures were measured in the vertical plane.
2. In Item 3, c, surface pressures along the major axis of Configuration 4. For this test, the model was sting mounted from the rear.
3. In Item 3, d, wake centerline parameters for Configuration 2.
4. In Item 3, e, wake pitot pressures for Configuration 2. This test was run with a rake having longer arms.

#### b. Wake and Surface Pressures (Configurations 1 through 5)

SAMPLE PITOT PRESSURE SURVEY PRINT-OUT

(Groups 1-161, 266-313, & 419-439)

1	$P_{1t}$	$P_{n_t}$	$P_{9t}$	$P_o$	$q_{\infty}$ ①	$P_{\infty}$	$Re_{\infty}$ ②	$T_o$	T2
02	$P_{1t}/P_o$	$P_{n_t}/P_o$	$P_{9t}/P_o$	$P_{b1}$	$P_{b2}$	$P_{b3}$	$P_{b4}$	$T_1$	T1
	$P_{1t}/P_{\infty}$	$P_{n_t}/P_{\infty}$	$P_{9t}/P_{\infty}$						
	$P_{10t}$	$P_{n_t}$	$P_{18t}$	$P_o$	$q_{\infty}$	$P_{\infty}$	$Re_{\infty}$	$T_o$	T2
03	$P_{10t}/P_o$	$P_{n_t}/P_o$	$P_{18t}/P_o$	$P_{b1}$	$P_{b2}$	$P_{b3}$	$P_{b4}$	$T_1$	T1
	$P_{10t}/P_{\infty}$	$P_{n_t}/P_{\infty}$	$P_{18t}/P_{\infty}$						
	$P_{19t}$	$P_{n_t}$	$P_{24t}$	$P_o$	$q_{\infty}$	$P_{\infty}$	$Re_{\infty}$	$T_o$	T2
04	$P_{19t}/P_o$	$P_{n_t}/P_o$	$P_{24t}/P_o$	$P_{b1}$	$P_{b2}$	$P_{b3}$	$P_{b4}$	$T_1$	T1
	$P_{19t}/P_{\infty}$	$P_{n_t}/P_{\infty}$	$P_{24t}/P_{\infty}$						
	Model Static Pressures		④	$P_o$	$q_{\infty}$	$P_{\infty}$	$Re_{\infty}$	$T_o$	T2
05	$P_s/P_o$			$P_{b1}$	$P_{b2}$	$P_{b3}$	$P_{b4}$	$T_1$	T1
	$P_s/P_{\infty}$								

Notes: 1) See notes for Static Survey Print-Out  
2) See Table I and Figure I for pressure port locations

*Contrails*

SAMPLE STATIC PRESSURE SURVEY PRINT-OUT

(Groups 162-265 & 338-418)

1	2	3	4	5	6	7	8	9	
P1	P2	P3	P4						P <sub>o</sub>
02	P1/P <sub>o</sub>	P2/P <sub>o</sub>	P3/P <sub>o</sub>	P4/P <sub>o</sub>					8 <sub>∞</sub> (1) q <sub>∞</sub> (2) Re <sub>∞</sub> (3) T <sub>o</sub>
	P1/P <sub>∞</sub>	P2/P <sub>∞</sub>	P3/P <sub>∞</sub>	P4/P <sub>∞</sub>					Pb1 Pb2 Pb3 Pb4 T1 T2
	P5	P6	P7	P8	P9	P10	P11	P12	P <sub>o</sub>
03	P5/P <sub>o</sub>			P/P <sub>o</sub>				P12/P <sub>o</sub>	q <sub>∞</sub> P <sub>∞</sub> Re <sub>∞</sub> T <sub>o</sub>
	P5/P <sub>∞</sub>			P/P <sub>∞</sub>				P12/P <sub>∞</sub>	Pb2 Pb3 Pb4 T1 T2
									(4) P <sub>o</sub>
									q <sub>∞</sub> P <sub>∞</sub> Re <sub>∞</sub> T <sub>o</sub>
05									Pb1 Pb2 Pb3 Pb4 T1 T2

- Notes: 1) P<sub>o</sub> tank for Gps. 1-85 (Static Rake)  
 2) T<sub>1</sub> for Gps. 1-85 (Static Rake)  
 3) T<sub>2</sub> for Gps. 1-85 (Static Rake)  
 4) Pb2 for Gps. 1-85, "0" for Gps. 86-439  
 5) See Table I and Figure I for pressure port locations



7389+0 = 7.389 p a i a

PROJ	RUN	GROUP	COMP	MACH	I/D	1	2	3	4	5	6	7	8	9	Po	q	Pinf	Re	To	
0626	0001	0001	0001	2000+0	1000+0															
02	7389+0	0000	1617+0	1635+0	1703+0	2575+0	8463+0	1162+1	1207+1	1913+1	6847+0	2446+0	3690-1	5815+2						
	3861-1	0000	8450-2	8545-2	8902-2	1346-1	4423-1	6073-1	6311-1	2013+0	2148+0	5520+2	5470+2							
	3021+0	0000	6612-1	6686-1	6965-1	1053+0	3461+0	4752+0	4938+0											
03	1107+1	7407+0	1644+0	1671+0	1766+0	3109+0	9991+0	1051+1	1141+1	1891+1	6766+0	2417+0	3647-1	5815+2						
	5856-1	3918-1	8694-2	8838-2	9342-2	1645-1	5284-1	5558-1	6034-1	2011+0	2158+0	5520+2	5470+2							
	4582+0	3065+0	6802-1	6915-1	7309-1	1287+0	4134+0	4349+0	4721+0											
04	1171+1	1197+1	1248+1	1233+1	1380+1	1464+1	0000	0000	0000	1900+1	6800+0	2429+0	3665-1	5815+2						
	6163-1	6298-1	6569-1	6488-1	7263-1	7705-1	0000	0000	0000	2011+0	2155+0	5520+2	5470+2							
	4822+0	4928+0	5139+0	5077+0	5683+0	6029+0	0000	0000	0000											
05	0000	0000	0000	1415+1	2246+0	3562+0	4876+0	2011+0	8444+0	1908+1	6828+0	2439+0	3679-1	5815+2						
	0000	0000	0000	7407-1	1177-1	1867-1	2556-1	1054-1	4421-1	2018+0	2159+0	5520+2	5470+2							
	0000	0000	0000	5001+0	9209-1	1461+0	1999+0	8247-1	3463+0											

PROJ	RUN	GROUP	COMP	MACH	I/D	1	2	3	4	5	6	7	8	9	Po	q	Pinf	Re	To	
0626	0001	0002	0001	2000+0	1980+0															
02	1343+1	0000	3320+0	4145+0	8843+0	1362+1	1325+1	1239+1	1111+1	1913+1	6847+0	2446+0	3686-1	5820+2						
	7018-1	0000	1735-1	2166-1	4621-1	7120-1	6925-1	6474-1	5808-1	1416+0	1662+0	6135+2	6490+2							
	5491+0	0000	1358+0	1695+0	3616+0	5571+0	5418+0	5065+0	4545+0											
03	1084+1	1179+1	4655+0	8101+0	1272+1	1280+1	1314+1	1225+1	1147+1	1912+1	6842+0	2444+0	3683-1	5820+2						
	5671-1	6170-1	2435-1	4237-1	6653-1	6695-1	6873-1	6408-1	5998-1	1416+0	1663+0	6135+2	6485+2							
	4437+0	4828+0	1905+0	3315+0	5206+0	5238+0	5377+0	5014+0	4693+0											
04	1143+1	1178+1	1184+1	1189+1	1249+1	1311+1	0000	0000	0000	1927+1	6895+0	2462+0	716-1	5815+2						
	5933-1	6112-1	6146-1	6175-1	6481-1	6802-1	0000	0000	0000	1417+0	1664+0	6135+2	6480+2							
	4642+0	4782+0	4809+0	4831+0	5071+0	5322+0	0000	0000	0000											
05	0000	0000	0000	1415+1	2266+0	3602+0	4937+0	2028+0	8546+0	1928+1	6901+0	2464+0	3719-1	5815+2						
	0000	0000	0000	7309-1	1175-1	1868-1	2560-1	1052-1	4421-1	1419+0	1666+0	6140+2	6480+2							
	0000	0000	0000	8743+0	9195-1	1462+0	2003+0	8224-1	3468+0											

PROJ RUM GROUP CONF MACH I/D  
0626 0001 0003 0001 2000+0 2975+0

	1	2	3	4	5	6	7	8	9	Pe	q	Pinf	Re	To
02	1408+1	0000	5643+0	5821+0	8646+0	1293+1	1385+1	1389+1	1395+1	1942+1	6951+0	2482+0	3742-1	5820+2
	7289-1	0000	2905-1	2997-1	4451-1	6659-1	7131-1	7155-1	7183-1	1410+0	1662+0	5980+2	6410+2	
	5672+0	0000	2273+0	2345+0	3483+0	5209+0	5579+0	5598+0	5620+0					
03	1334+1	1276+1	8037+0	1033+1	1259+1	1341+1	1401+1	1378+1	1373+1	1950+1	6979+0	2492+0	3757-1	5820+2
	6942-1	6244-1	4121-1	5299-1	6458-1	6877-1	7183-1	7067-1	7042-1	1413+0	1661+0	5975+2	6410+2	
	5354+0	5120+0	3225+0	4146+0	5053+0	5381+0	5620+0	5529+0	5509+0					
04	1389+1	1393+1	1333+1	1225+1	1222+1	1209+1	0000	0000	0000	1937+1	6931+0	2475+0	3731-1	5820+2
	7173-1	7194-1	6882-1	6325-1	5307-1	6246-1	0000	0000	0000	1413+0	1665+0	5980+2	6410+2	
	5612+0	5629+0	5385+0	4949+0	4935+0	4887+0	0000	0000	0000					
05	0000	0000	0000	1415+4	2289+0	3633+0	4972+0	2039+0	8579+9	1943+1	6954+0	2483+0	3743-1	5820+2
	0000	0000	0000	7244-1	1178-1	1869-1	2559-1	1049-1	4411-1	1412+0	1666+0	5980+2	6410+2	
	0000	0000	0000	5699+0	9216-1	1463+0	2002+0	8211-1	3454+0					

PROJ RUM GROUP CONF MACH I/D  
0626 0001 0004 0001 2000+0 4955+0

	1	2	3	4	5	6	7	8	9	Pe	q	Pinf	Re	To
02	1355+1	0000	7864+0	7854+0	8662+0	1056+1	1233+1	1336+1	1373+1	1926+1	6892+0	2462+0	3709-1	5820+2
	7034-1	0000	4083-1	4078-1	4498-1	5485-1	6402-1	6939-1	7130-1	1397+0	2109+0	5860+2	6070+2	
	5504+0	0000	3195+0	3191+0	3519+0	4291+0	5009+0	5429+0	5579+0					
03	1309+1	1267+1	9441+0	1087+1	1191+1	1280+1	1357+1	1343+1	1344+1	1936+1	6929+0	2474+0	3729-1	5820+2
	6765-1	6546-1	4876-1	5616-1	6150-1	6613-1	7009-1	6935-1	6942-1	1403+0	2123+0	5865+2	6070+2	
	5293+0	5122+0	3815+0	4394+0	4812+0	5174+0	5484+0	5426+0	5432+0					
04	1355+1	1385+1	1334+1	1401+1	1384+1	1304+1	0000	0000	0000	1932+1	6915+0	2469+0	3722-1	5820+2
	7013-1	7169-1	6906-1	7252-1	7161-1	6750-1	0000	0000	0000	1402+0	2113+0	5865+2	6075+2	
	5487+0	5609+0	5404+0	5674+0	5603+0	5282+0	0000	0000	0000					
05	0000	0000	0000	1415+4	2268+0	3596+0	4911+0	2026+0	8577+9	1924+1	6887+0	2459+0	3707-1	5820+2
	0000	0000	0000	7344-1	1178-1	1869-1	2552-1	1053-1	4411-1	1401+0	2116+0	5865+2	6070+2	
	0000	0000	0000	5754+0	9220-1	1462+0	1997+0	8237-1	3467+0					

PROJ	RUN	GROUP	CONF	MACH	X/D	1	2	3	4	5	6	7	8	9	10	11	12	13	14	15	16	17	18	19	20
0626	0001	0005	0001	2000+0	6939+0																				
02						1353+1	0000	8850+0	9007+0	9437+0	1045+1	1168+1	1293+1	1382+1	1938+1	6934+0	2476+0	3732-1	5820+2						
						6985-1	0000	4567-1	4648-1	4870-1	5391-1	6029-1	6672-1	7134-1	1401+0	2285+0	5825+2	5990+2							
						54650	0000	3574+0	3637+0	3811+0	4218+0	4717+0	5220+0	5582+0											
03						1319+1	1261+1	9992+0	1112+1	1178+1	1252+1	1314+1	1325+1	1327+1	1932+1	6915+0	2469+0	3722-1	5820+2						
						6828-1	6525-1	5171-1	5755-1	6096-1	6479-1	6803-1	6859-1	6870-1	1402+0	2279+0	5820+2	5955+2							
						5343+0	5105+0	4046+0	4503+0	4769+0	5069+0	5323+0	5366+0	5375+0											
04						1328+1	1350+1	1301+1	1369+1	1363+1	1298+1	0000	0000	0000	1927+1	6895+0	2462+0	3711-1	5820+2						
						6895-1	7007-1	6754-1	7106-1	7074-1	6738-1	0000	0000	0000	1396+0	2271+0	5820+2	5960+2							
						5395+0	5482+0	5284+0	5559+0	5535+0	5272+0	0000	0000	0000											
05						0000	0000	0000	1415+1	2263+0	3596+0	4929+0	2022+0	8669+0	1929+1	6906+0	2466+0	3717-1	5820+2						
						0000	0000	0000	7336-1	1173-1	1863-1	2555-1	1048-1	4471-1	1395+0	2272+0	5820+2	5960+2							
						0000	0000	0000	5736+0	9175-1	1458+0	1999+0	8198-1	2475+0											

PROJ	RUN	GROUP	CONF	MACH	X/D	1	2	3	4	5	6	7	8	9	10	11	12	13	14	15	16	17	18	19	20
0626	0001	0006	0001	2000+0	8929+0																				
02						1296+1	0000	9539+0	9679+0	9959+0	1053+1	1134+1	1224+1	1326+1	1919+1	6869+0	2454+0	3698-1	5820+2						
						6750-1	0000	4969-1	5042-1	5188-1	5485-1	5909-1	6379-1	6905-1	1388+0	1645+0	5800+2	5910+2							
						5282+0	0000	3888+0	3945+0	4059+0	4292+0	4623+0	4991+0	5403+0											
03						1312+1	1254+1	1015+1	1114+1	1169+1	1235+1	1288+1	1307+1	1319+1	1925+1	6889+0	2460+0	3708-1	5820+2						
						6817-1	6515-1	5274-1	5784-1	6076-1	6414-1	6691-1	6788-1	6852-1	1392+0	1641+0	5800+2	5910+2							
						5333+0	5097+0	4127+0	4526+0	4754+0	5018+0	5235+0	5311+0	5361+0											
04						1331+1	1347+1	1321+1	1377+1	1374+1	1303+1	0000	0000	0000	1928+1	6901+0	2464+0	3714-1	5820+2						
						6903-1	6984-1	6851-1	7142-1	7127-1	6757-1	0000	0000	0000	1391+0	1646+0	5800+2	5910+2							
						5401+0	5465+0	5360+0	5588+0	5576+0	5287+0	0000	0000	0000											
05						0000	0000	0000	1415+1	2263+0	3587+0	4904+0	2021+0	8669+0	1924+1	6884+0	2459+0	3705-1	5820+2						
						0000	0000	0000	7336-1	1176-1	1865-1	2549-1	1051-1	4471-1	1391+0	1647+0	5800+2	5910+2							
						0000	0000	0000	5754+0	9205-1	1459+0	1995+0	8221-1	2482+0											

PROJ	NUM	GROUP	COMP	MACH	X/D	1	2	3	4	5	6	7	8	9	Po	q	Pinf	Re	To	
0626	0001	0007	0001	2000+0	1094+1															
02	1248+1	0000	9988+0	1019+1	1048+1	1092+1	1151+1	1223+1	1337+1	1934+1	6920+0	2471+0	3725-1	5820+2						
	6451-1	0000	5165-1	5273-1	5419-1	5648-1	5951-1	6326-1	6912-1	1395+0	1650+0	5790+2	5885+2							
	5048+0	0000	4041+0	4126+0	4240+0	4419+0	4656+0	4949+0	5408+0											
03	1338+1	1260+1	1034+1	1124+1	1181+1	1246+1	1302+1	1320+1	1336+1	1929+1	6903+0	2466+0	3716-1	5820+2						
	6935-1	6533-1	5361-1	5825-1	6122-1	6459-1	6749-1	6844-1	6925-1	1391+0	1649+0	5785+2	5885+2							
	5426+0	5112+0	4195+0	4558+0	4789+0	5054+0	5281+0	5355+0	5418+0											
04	1344+1	1347+1	1321+1	1363+1	1360+1	1299+1	0000	0000	0000	1920+1	6873+0	2455+0	3699-1	5820+2						
	6999-1	7016-1	6876-1	7099-1	7083-1	6766-1	0000	0000	0000	1392+0	1645+0	5790+2	5885+2							
	5476+0	5489+0	5380+0	5555+0	5542+0	5294+0	0000	0000	0000											
05	0000	0000	0000	1415+1	2258+0	3587+0	4911+0	2014+0	8544+0	1925+1	6889+0	2460+0	3708-1	5820+2						
	0000	0000	0000	733-1	1173-1	1863-1	2551-1	1046-1	448-1	1389+0	1645+0	5790+2	5885+2							
	0000	0000	0000	5752+0	9175-1	1458+0	1996+0	8186-1	2472+0											

PROJ	NUM	GROUP	COMP	MACH	X/D	1	2	3	4	5	6	7	8	9	Po	q	Pinf	Re	To	
0626	0001	0008	0001	2000+0	1000+0															
02	1668+0	0000	2789-1	2790-1	2858-1	4056-1	9252-1	1369+0	1772+0	2753+0	9853-1	3519-1	5310-2	5815+2						
	4241-1	0000	1013-1	1013-1	1038-1	1473-1	3360-1	4971-1	6436-1	3252-1	4352+1	5480+2	54451							
	3318+0	0000	7928-1	7929-1	8123-1	1152+0	2629+0	3899+0	5036+0											
03	1545+0	1048+0	2791-1	2821-1	2961-1	4824-1	1311+0	1579+0	1541+0	2766+0	9898-1	3535-1	5334-2	5815+2						
	5585-1	3790-1	1009-1	1020-1	1071-1	1744-1	4739-1	5711-1	5571-1	3256-1	4355-1	54801	5445+2							
	4369+0	2965+0	7896-1	7982-1	8378-1	1365+0	3708+0	4468+0	4359+0											
04	1554+0	1601+0	1530+0	1694+0	1781+0	1886+0	0000	0000	0000	2779+0	9948-1	3553-1	5355-2	5820+2						
	5590-1	5761-1	5504-1	6093-1	6407-1	6786-1	0000	0000	0000	3267-1	4367-1	5480+2	5440+2							
	4374+0	4507+0	4306+0	4767+0	5013+0	5309+0	0000	0000	0000											
05	0000	0000	0000	0000	3656-1	5711-1	7174-1	3598-1	0000	2802+0	1003+0	3581-1	5397-2	5820+2						
	0000	0000	0000	0000	1305-1	2039-1	2561-1	1284-1	0000	3288-1	4391-1	5485+2	5440+2							
	0000	0000	0000	0000	1021+0	1595+0	2003+0	1005+0	0000											

PROJ RUN GROUP COMP MACH X/D  
0626 0001 0009 0001 2000+0 1980+0

	1	2	3	4	5	6	7	8	9	Po	q	Pinf	Re	To
02	205+0	0000	5787-1	7610-1	1191+0	173+0	2037+0	1995+0	1676+0	2775+0	9931-1	3547-1	5346-2	5820+2
	7402-1	0000	2085-1	2742-1	4292-1	6247-1	7339-1	7190-1	6037-1	2077-1	3808-1	5875+2	5970+2	
	5792+0	0000	1632+0	2146+0	3358+0	4888+0	5743+0	5626+0	4724+0					
03	1555+0	1929+0	6260-1	9611-1	1652+0	1997+0	1907+0	1764+0	1631+0	2781+0	9954-1	3555-1	5358-2	5820+2
	5589-1	6939-1	2251-1	3455-1	5939-1	7179-1	6856-1	6344-1	5864-1	2091-1	3822-1	5875+2	5980+2	
	4374+0	5429+0	1761+0	2704+0	4647+0	5618+0	5364+0	4964+0	4588+0					
04	1516+0	1409+0	1420+0	1578+0	1632+0	1734+0	0000	0000	0000	2797+0	1001+0	3575-1	5382-2	5825+2
	5419-1	5039-1	5077-1	5642-1	5833-1	6201-1	0000	0000	0000	2102-1	3825-1	5880+2	5980+2	
	4240+0	3943+0	3972+0	4414+0	4564+0	4852+0	0000	0000	0000					
05	0000	0000	0000	0000	3656-1	5657-1	7146-1	3524-1	0000	2816+0	1008+0	3599-1	5418-2	5825+2
	0000	0000	0000	0000	1298-1	2009-1	2538-1	1252-1	0000	2119-1	3839-1	5885+2	5980+2	
	0000	0000	0000	0000	1016+0	1572+0	1986+0	9794-1	0000					

PROJ RUN GROUP COMP MACH X/D  
0626 0001 0010 0001 2000+0 2970+0

	1	2	3	4	5	6	7	8	9	Po	q	Pinf	Re	To
02	2094+0	0300	7707-1	9135-1	1221+0	1734+0	2054+0	2054+0	2041+0	2774+0	9926-1	3545-1	5337-2	5825+2
	7550-1	0000	2779-1	3293-1	4401-1	6253-1	7405-1	7405-1	7359-1	2050-1	3802-1	5900+2	5920+2	
	5907+0	0000	2174+0	2577+0	3443+0	4893+0	5794+0	5794+0	5758+0					
03	1776+0	955+0	9651-1	166+0	1656+0	1939+0	1931+0	1854+0	1798+0	2775+0	9931-1	3547-1	5339-2	5825+2
	6398-1	7044-1	3478-1	4489-1	5966-1	6988-1	6958-1	6681-1	6478-1	2042-1	3789-1	5905+2	5920+2	
	5006+0	5512+0	2721+0	3512+0	4668+0	5468+0	5444+0	5228+0	5068+0					
04	1748+0	1651+0	1768+0	1789+0	1695+0	1633+0	0000	0000	0000	2779+0	9948-1	3553-1	5349-2	5825+2
	6287-1	5937-1	6359-1	6439-1	6099-1	5875-1	0000	0000	0000	2048-1	3789-1	5905+2	5920+2	
	4919+0	4646+0	4975+0	5038+0	4772+0	4597+0	0000	0000	0000					
05	0000	0000	0000	0000	3619-1	5571-1	7052-1	3464-1	0000	2781+0	9954-1	3555-1	5352-2	5825+2
	0000	0000	0000	0000	1301-1	2003-1	2535-1	1245-1	0000	2041-1	3797-1	5905+2	5920+2	
	0000	0000	0000	0000	1018+0	1567+0	1984+0	9744-1	0000					

PROJ RUN GROUP COMP MACH X/D  
0626 0001 0011 0001 2000+0 4955+0

1	2	3	4	5	6	7	8	9	Po	q	Pinf	Re	To
02	1999+0	0000	1023+0	1071+0	1256+0	1594+0	1894+0	2003+0	2781+0	995A-1	3555-1	5352-2	5825+2
	7187-1	0000	3678-1	3850-1	4514-1	5731-1	6811-1	7202-1	2039-1	3792-1	5815+2	5815+2	
	5623+0	0000	2878+0	3013+0	3532+0	4485+0	5329+0	5635+0					
03	1812+0	1939+0	1215+0	1393+0	1607+0	1839+0	1917+0	1851+0	2792+0	9993-1	3569-1	5373-2	5825+2
	6900-1	6945-1	4352-1	4990-1	5754-1	6585-1	6830-1	6627-1	2042-1	3789-1	5815+2	5815+2	
	5078+0	5434+0	3406+0	3905+0	4502+0	5153+0	5372+0	5185+0					
04	18080	1716+0	1787+0	1867+0	1973+0	1879+0	0000	0000	2797+0	1001+0	3575-1	5382-2	5825+2
	6466-1	6135-1	6389-1	6673-1	7055-1	6719+0	0000	0000	2052-1	3792-1	5815+2	5815+2	
	5059+0	4800+0	4999+0	5221+0	5520+0	5257+0	0000	0000					
05	0000	0000	0000	0000	3612-1	5579-1	7078-1	3496-1	2791+0	9987-1	3567-1	5369-2	5825+2
	0000	0000	0000	0000	1294-1	1999-1	2536-1	1253-1	2052-1	3789-1	5815+2	5815+2	
	0000	0000	0000	0000	1013+0	1564+0	1984+0	9803-1					

PROJ RUN GROUP COMP MACH X/D  
0626 0001 0012 0001 2000+0 6939+0

1	2	3	4	5	6	7	8	9	Po	q	Pinf	Re	To
02	1929+0	0000	1171+0	1198+0	1319+0	1545+0	1768+0	1902+0	2791+0	9987-1	3567-1	5363-2	5830+2
	6911-1	0000	4195-1	4293-1	4728-1	5536-1	6334-1	6815-1	2048-1	3794	5780+2	5780+2	
	5407+0	0000	3282+0	3359+0	3699+0	4332+0	4956+0	5332+0					
03	1840+0	1825+0	1289+0	1445+0	1594+0	1745+0	1848+0	1892+0	2791+0	9987-1	3567-1	5363-2	5830+2
	6595-1	6538-1	4619-1	5178-1	5709-1	6254-1	6621-1	6781-1	2048-1	3794-1	5780+2	5780+2	
	5159+0	5115+0	3614+0	4051+0	4467+0	4893+0	5180+0	5306+0					
04	1842+0	1755+0	1779+0	1874+0	1944+0	1858+0	0000	0000	2794+0	9998-1	3571-1	5369-2	5830+2
	6593-1	6282-1	6368-1	6709-1	6957-1	6651-1	0000	0000	2050-1	3792-1	5785+2	5770+2	
	5158+0	4915+0	4983+0	5249+0	5444+0	5204+0	0000	0000					
05	0000	0000	0000	0000	3593-1	5563-1	7039-1	3449-1	2788+0	9976-1	3563-1	5357-2	5830+2
	0000	0000	0000	0000	1289-1	1996-1	2525-1	1238-1	2050-1	3799-1	5785+2	5770+2	
	0000	0000	0000	0000	1009+0	1561+0	1976+0	9683-1					

PROJ RUN GROUP CONF MACH I/D  
0626 0001 0013 0001 2000+0 8929+0

	1	2	3	4	5	6	7	8	9	Po	q	Pinf	Re	To
02	1958+0	0000	1302+0	1325+0	1415+0	1585+0	1774+0	1919+0	1991+0	2802+0	1003+0	3581-1	5384-2	5830+2
	6989-1	0000	4645-1	4728-1	5051-1	5657-1	6331-1	6852-1	7105-1	2039-1	3789-1	5775+2	5780+2	
	5469+0	0000	3635+0	3699+0	3952+0	4426+0	4954+0	5361+0	5559+0					
03	1849+0	1868+0	1371+0	1526+0	1657+0	1766+0	1857+0	1889+0	1893+0	2800+0	1002+0	3579-1	5381-2	5830+2
	6603-1	6669-1	4895-1	5448-1	5916-1	6308-1	6632-1	6747-1	6759-1	2050-1	3794-1	5775+2	5780+2	
	5167+0	5218+0	3830+0	4263+0	4629+0	4936+0	5189+0	5279+0	5288+0					
04	1839+0	1774+0	1798+0	1850+0	1924+0	1859+0	0000	0000	0000	2797+0	1001+0	3575-1	5375-2	5830+2
	6277-1	6342-1	6427-1	6615-1	6879-1	6647-1	0000	0000	0000	2056-1	3794-1	5775+2	5780+2	
	5146+0	4962+0	5029+0	5175+0	5383+0	5201+0	0000	0000	0000					
05	0000	0000	0000	0000	3599-1	5556-1	7055-1	3453-1	0000	2791+0	9987-1	3567-1	5363-2	5830+2
	0000	0000	0000	0000	1289-1	1991-1	2528-1	1237-1	0000	2048-1	3789-1	5775+2	5780+2	
	0000	0000	0000	0000	1009+0	1558+0	1978+0	9681-1	0000					

PROJ RUN GROUP CONF MACH I/D  
0626 0001 001A 0001 2000+0 1094+1

	1	2	3	4	5	6	7	8	9	Po	q	Pinf	Re	To
02	1954+0	0000	1275+0	1365+0	1466+0	1601+0	1749+0	1887+0	1986+0	2800+0	1002+0	3579-1	5381-2	5830+2
	6977-1	0000	4555-1	4876-1	5235-1	5718-1	6246-1	6739-1	7092-1	2058-1	3791-1	5770+2	5775+2	
	5459+0	0000	3564+0	3815+0	4096+0	4474+0	4887+0	5273+0	5549+0					
03	1904+0	1897+0	1145+0	1452+0	1632+0	1803+0	1912+0	1960+0	1948+0	2806+0	1004+0	3587-1	5393-2	5830+2
	6786-1	6760-1	4079-1	5174-1	5817-1	6425-1	6814-1	6985-1	6941-1	2075-1	3800-1	5785+2	5790+2	
	5309+0	5289+0	3191+0	4049+0	4551+0	5027+0	5332+0	5465+0	5431+0					
04	1893+0	1825+0	1825+0	1906+0	1968+0	1905+0	0000	0000	0000	2806+0	1004+0	3587-1	5393-2	5830+2
	6744-1	6501-1	6504-1	6790-1	7012-1	6788-1	0000	0000	0000	2077-1	3795-1	5790+2	5790+2	
	5277+0	5087+0	5089+0	5313+0	5487+0	5311+0	0000	0000	0000					
05	0000	0000	0000	0000	3603-1	5571-1	7089-1	3559-1	0000	2808+0	1005+0	3589-1	5396-2	5830+2
	0000	0000	0000	0000	1283-1	1984-1	2524-1	1267-1	0000	2077-1	3799-1	5790+2	5790+2	
	0000	0000	0000	0000	1004+0	1552+0	1975+0	9916-1	0000					

PROJ	RUN	GROUP	CONF	MACH	I/D	1	2	3	4	5	6	7	8	9	PO	Q	FINF	RE	TO	
0626	0002	0015	0001	3000+0	1029+0															
02	6293+0	0000	6034-1	6277-1	1161+0	5191+0	6998+0	9324+0	1111+1	4349+1	7458+0	1184+0	5046-1	5820+2						
	1447-1	0000	1388-2	1444-2	2671-2	1194-1	1609-1	2144-1	2554-1	6895-1	8570-1	5390+2	5370+2							
	5316+0	0000	5097-1	5302-1	9811-1	4384+0	5911+0	7876+0	9382+0											
03	8128+0	7703+0	6277-1	7128-1	2028+0	6893+0	8337+0	8847+0	8184+0	4359+1	7477+0	1187+0	5059-1	5820+2						
	1864-1	1767-1	1439-2	1635-2	4652-2	1581-1	1912-1	2029-1	1877-1	6917-1	8608-1	5390+2	5370+2							
	6848+0	6490+0	5289-1	6006-1	1709+0	5808+0	7024+0	7454+0	6896+0											
04	8475+0	1043+1	1280+1	1421+1	1671+1	1263+1	0000	0000	0000	4362+1	7481+0	1187+0	5062-1	5820+2						
	1943-1	2391-1	2935-1	3258-1	3832-1	2897-1	0000	0000	0000	6927-1	8628-1	5390+2	5375+2							
	7137+0	8782+0	1078+1	1197+1	1408+1	1064+1	0000	0000	0000											
05	0000	0000	0000	0000	1196+0	1645+0	2958+0	1248+0	0000	4379+1	7512+0	1192+0	5083-1	5820+2						
	0000	0000	0000	0000	2730-2	3756-2	6753-2	2849-2	0000	6929-1	8639-1	5395+2	5375+2							
	0000	0000	0000	0000	1003+0	1379+0	2481+0	1047+0	0000											

PROJ	RUN	GROUP	CONF	MACH	I/D	1	2	3	4	5	6	7	8	9	PO	Q	FINF	RE	TO	
0626	0002	0016	0001	3000+0	1980+0															
02	8862+0	0000	2993+0	4461+0	9817+0	1340+1	8446+0	8604+0	9222+0	4319+1	7407+0	1176+0	5012-1	5820+2						
	2052-1	0000	6930-2	1033-1	2273-1	3103-1	1956-1	1992-1	2135-1	4075-1	6855-1	5990+2	6660+2							
	7537+0	0000	2546+0	3794+0	8349+0	1139+1	7184+0	7318+0	7843+0											
03	7463+0	7909+0	6608+0	1054+1	1279+1	1187+1	7611+0	7019+0	7242+0	4321+1	7411+0	1176+0	5015-1	5820+2						
	4727-1	1830-1	1529-1	2440-1	2961-1	2746-1	1761-1	1624-1	1676-1	4067-1	6850-1	5995+2	6665+2							
	6342+0	6723+0	5617+0	8963+0	1088+1	1009+1	6469+0	5967+0	6156+0											
04	7973+0	9151+0	1009+1	1146+1	1360+1	1495+1	0000	0000	0000	4297+1	7369+0	1169+0	4986-1	5820+2						
	1855-1	2129-1	2349-1	2667-1	3166-1	3479-1	0000	0000	0000	4066-1	6836-1	5990+2	6660+2							
	6815+0	7822+0	8632+0	9795+0	1163+1	1278+1	0000	0000	0000											
05	0000	0000	0000	0000	1173+0	1613+0	2902+0	1233+0	0000	4303+1	7379+0	1171+0	4986-1	5825+2						
	0000	0000	0000	0000	2727-2	3749-2	6744-2	2866-2	0000	4072-1	6842-1	5995+2	6665+2							
	0000	0000	0000	0000	1002+0	1377+0	2477+0	1053+0	0000											



PROJ	RUN	GROUP	CONTR	MACH	X/D	1	2	3	4	5	6	7	8	9	Po	q	Pinf	Re	To	
0626	0002	1017	0001	3000+0	2970+0															
02	1461+1	0000	5349+0	5279+0	8728+0	1403+1	1455+1	1454+1	1454+1	1454+1	1454+1	1454+1	1454+1	1454+1	4355+1	7469+0	1186+0	5041-1	5830+2	
	3354-1	0000	1228-1	1212-1	2004-1	3222-1	3341-1	3338-1	3338-1	3338-1	3338-1	3338-1	3338-1	3338-1	4108-1	6858-1	5960+2	6450+2		
	1232+1	0000	4512+0	4453+0	7362+0	1183+1	1227+1	1226+1	1226+1	1226+1	1226+1	1226+1	1226+1	1226+1					8187+0	
03	8834+0	1200+1	7958+0	1131+1	1319+1	1317+1	1129+1	1146+1	1146+1	1146+1	1146+1	1146+1	1146+1	1038+1	4356+1	7472+0	1186+0	5049-1	5825+2	
	2028-1	2755-1	1827-1	2597-1	3028-1	3022-1	2592-1	2629-1	2629-1	2629-1	2629-1	2629-1	2629-1	2383-1	4134-1	6877-1	5955+2	6445+2		
	7449+0	1012+1	6709+0	9539+0	1112+1	1110+1	9523+0	9659+0	9659+0	9659+0	9659+0	9659+0	9659+0	8754+0						
04	9310+0	9378+0	9950+0	1023+1	1177+1	1274+1	0000	0000	0000	0000	0000	0000	0000	0000	4365+1	7486+0	1188+0	5059-1	5825+2	
	2133-1	2148-1	2279-1	2345-1	2697-1	2919-1	0000	0000	0000	0000	0000	0000	0000	0000	4120-1	6875-1	5955+2	6445+2		
	7835+0	7892+0	8373+0	8613+0	9906+0	1072+1	0000	0000	0000	0000	0000	0000	0000	0000						
05	0000	0000	0000	0000	1189+0	1636+0	2949+0	1254+0	1254+0	1254+0	1254+0	1254+0	1254+0	0000	4378+1	7508+0	1192+0	5073-1	5825+2	
	0000	0000	0000	0000	2717-2	3738-2	6737-2	2865-2	2865-2	2865-2	2865-2	2865-2	2865-2	0000	4111-1	6872-1	5955+2	6440+2		
	0000	0000	0000	0000	9981-1	1373+0	2475+0	1052+0	1052+0	1052+0	1052+0	1052+0	1052+0	0000						
PROJ	RUN	GROUP	CONTR	MACH	X/D															
0626	0002	0018	0001	3000+0	4955+0															
02	1383+1	0000	7119+0	6885+0	8398+0	1183+1	1338+1	1379+1	1411+1	1411+1	1411+1	1411+1	1411+1	1411+1	4369+1	7494+0	1189+0	5064-1	5825+2	
	3164-1	0000	1629-1	1576-1	1922-1	2707-1	3061-1	3155-1	3228-1	3228-1	3228-1	3228-1	3228-1	3228-1	4131-1	6909-1	5900+2	5965+2		
	1162+1	0000	5985+0	5787+0	7059+0	9944+0	1124+1	1159+1	1186+1	1186+1	1186+1	1186+1	1186+1	1186+1						
03	1258+1	1207+1	9049+0	1126+1	1249+1	1283+1	1149+1	1151+1	1229+1	1229+1	1229+1	1229+1	1229+1	1229+1	4378+1	7508+0	1192+0	5073-1	5825+2	
	2875-1	2757-1	2067-1	2572-1	2854-1	2930-1	2624-1	2629-1	2809-1	2809-1	2809-1	2809-1	2809-1	2809-1	4124-1	6903-1	5895+2	5965+2		
	1056+1	1013+1	7593+0	9449+0	1048+1	1076+1	9639+0	9657+0	1032+1	1032+1	1032+1	1032+1	1032+1	1032+1						
04	1323+1	1339+1	1337+1	1401+1	1011+1	1107+1	0000	0000	0000	0000	0000	0000	0000	0000	4378+1	7508+0	1192+0	5073-1	5825+2	
	3023-1	3058-1	3055-1	3199-1	2310-1	2528-1	0000	0000	0000	0000	0000	0000	0000	0000	4131-1	6883-1	5895+2	5965+2		
	1110+1	1123+1	1122+1	1175+1	8487+0	9287+0	0000	0000	0000	0000	0000	0000	0000	0000						
05	0000	0000	0000	0000	1190+0	1637+0	2944+0	1252+0	1252+0	1252+0	1252+0	1252+0	1252+0	0000	4357+1	7473+0	1186+0	5049-1	5825+2	
	0000	0000	0000	0000	2732-2	3757-2	6756-2	2873-2	2873-2	2873-2	2873-2	2873-2	2873-2	0000	4091-1	6885-1	5895+2	5960+2		
	0000	0000	0000	0000	1003+0	1380+0	2482+0	1055+0	1055+0	1055+0	1055+0	1055+0	1055+0	0000						

PROJ RUN GROUP COMP MACH X/D  
0626 0002 0019 0001 3000+0 693910

	1	2	3	4	5	6	7	8	9	Po	q	Pinf	Re	To
02	1317+1	0000	7962+0	7915+0	8849+0	1096+1	1257+1	1337+1	1369+1	4341+1	7445+0	1182+0	5037-1	5820+2
	3035-1	0000	1834-1	1823-1	2039-1	2524-1	2895-1	3080-1	3155-1	4094-1	6858-1	5855+2	5845+2	
	1115+1	0000	6738+0	6698+0	7489+0	9270+0	1063+1	1132+1	1159+1					
03	1258+1	1197+1	9266+0	1098+1	1205+1	1249+1	1152+1	1144+1	1229+1	4342+1	7446+0	1182+0	5032-1	5825+2
	2897-1	2758-1	2134-1	2529-1	2775-1	2878-1	2654-1	2636-1	2831-1	4089-1	6855-1	5855+2	5845+2	
	1064+1	1013+1	7839+0	9292+0	1019+1	1057+1	9749+0	9682+0	1039+1					
04	1300+1	1313+1	1298+1	1356+1	1278+1	1352+1	0000	0000	0000	4345+1	7453+0	1183+0	5036-1	5825+2
	2992-1	3022-1	2987-1	3121-1	2941-1	3110-1	0000	0000	0000	4078-1	6858-1	5855+2	5845+2	
	1099+1	1110+1	1097+1	1146+1	1080+1	1143+1	0000	0000	0000					
05	0000	0000	0000	0000	1180+0	1624+0	2921+0	1236+0	0000	4328+1	7423+0	1178+0	5016-1	5825+2
	0000	0000	0000	0000	2727-2	3752-2	6749-2	2856-2	0000	4091-1	6852-1	5855+2	5840+2	
	0000	0000	0000	0000	1002+0	1378+0	2479+0	1049+0	0000					

PROJ RUN GROUP COMP MACH X/D  
0626 0002 0020 0001 3000+0 8929+0

	1	2	3	4	5	6	7	8	9	Po	q	Pinf	Re	To
02	1266+1	0000	8462+0	8596+0	9185+0	1053+1	1183+1	1265+1	1335+1	4308+1	7389+0	1173+0	4993-1	5825+2
	2938-1	0000	1964-1	1995-1	2132-1	2444-1	2747-1	2936-1	3098-1	4070-1	6838-1	5830+2	5815+2	
	1079+1	0000	7215+0	7329+0	7831+0	8977+0	1009+1	1079+1	1138+1					
03	1259+1	1201+1	9404+0	1082+1	1176+1	1222+1	1154+1	1135+1	1222+1	4316+1	7402+0	1175+0	5002-1	5825+2
	2919-1	2783-1	2179-1	2506-1	2725-1	2832-1	2674-1	2629-1	2830-1	4069-1	6820-1	5830+2	5815+2	
	1072+1	1022+1	8004+0	9207+0	1001+1	1040+1	9822+0	9658+0	1039+1					
04	1274+1	1295+1	1268+1	1324+1	1274+1	1338+1	0000	0000	0000	4334+1	7433+0	1179+0	5023-1	5825+2
	2939-1	2989-1	2925-1	3055-1	2939-1	3088-1	0000	0000	0000	4066-1	6839-1	5830+2	5815+2	
	1079+1	1098+1	1075+1	1122+1	1079+1	1134+1	0000	0000	0000					
05	0000	0000	0000	0000	1174+0	1605+0	2911+0	1237+0	0000	4314+1	7399+0	1174+0	4999-1	5825+2
	0000	0000	0000	0000	2721-2	3721-2	6747-2	2867-2	0000	4069-1	6852-1	5830+2	5815+2	
	0000	0000	0000	0000	9995-1	1367+0	2479+0	1053+0	0000					

PROJ	NUM	GROUP	COMP	MACH	X/D	1	2	3	4	5	6	7	8	9	Po	q	Pinf	Re	To	
0686	0002	0021	0001	3000+0	1094+1															
02	1246+1	0000	8773+0	9030+0	9545+0	1053+1	1164+1	1268+1	1349+1	4326+1	7419+0	1178+	5014-1	5825+2						
	2880-1	0000	2028-1	2087-1	2206-1	2434-1	2691-1	2931-1	3119-1	4066-1	6829-1	5820+2	5795+2							
	1058+1	0000	7449+0	7668+0	8105+0	8942+0	9886+0	1076+1	1146+1											

03	1259+1	1189+1	9443+0	1070+1	1157+1	1195+1	1152+1	1139+1	1235+1	4339+1	7442+0	1181+0	5029-1	5825+2						
	2904-1	2741-1	2176-1	2466-1	2666-1	2753-1	2655-1	2625-1	2845-1	4083-1	6856-1	5820+2	5795+2							
	1067+1	1007+1	7994+0	9059+0	9795+0	1011+1	9751+0	9644+0	1045+1											

04	1210+1	1291+1	1240+1	1288+1	1247+1	1306+1	0000	0000	0000	4337+1	7438+0	1181+0	5026-1	5825+2						
	2791-1	2976-1	2859-1	2969-1	2876-1	3011-1	0000	0000	0000	4074-1	6859-1	5820+2	5800+2							
	1025+1	1093+1	1050+1	1091+1	1057+1	1106+1	0000	0000	0000											

05	0000	0000	0000	0000	1179+0	1626+0	2920+0	1231+0	0000	4332+1	7430+0	1179+0	5021-1	5825+2						
	0000	0000	0000	0000	2722-2	3754-2	6741-2	2843-2	0000	4078-1	6838-1	5820+2	5795+2							
	0000	0000	0000	0000	9999-1	1379+0	2476+0	1044+0	0000											

PROJ	NUM	GROUP	COMP	MACH	X/D	1	2	3	4	5	6	7	8	9	Po	q	Pinf	Re	To	
02	9696-1	0000	9484-2	9892-2	2823-1	6937-1	8285-1	1109+0	1449+0	5945+0	1037+0	1668-1	6989-2	5810+2						
	1631-1	0000	1595-2	1664-2	4748-2	1167-1	1394-1	1867-1	2439-1	8516-2	1434+1	5505+2	5440+2							
	5814+0	0000	5686-1	5931-1	1692+0	4159+0	4967+0	6654+0	8692+0											

03	1351+0	1132+0	9222-2	1592-1	5744-1	9296-1	1104+0	1169+0	1223+0	5955+0	1038+0	1671-1	7001-2	5810+2						
	2269-1	1902-1	1549-2	2674-2	9646-2	1561-1	1853-1	1963-1	2053-1	8641-2	1433+1	5505+2	5440+2							
	8088+0	6778+0	5521-1	9531-1	3438+0	5564+0	6607+0	6998+0	7319+0											

04	1239+0	1187+0	1258+0	1758+0	1857+0	1639+0	0000	0000	0000	5947+0	1037+0	1668-1	6992-2	5810+2						
	2084-1	1996-1	2115-1	2956-1	3122-1	2756-1	0000	0000	0000	8594-2	1434+1	5510+2	5440+2							
	7429+0	7115+0	7539+0	1054+1	1113+1	9822+0	0000	0000	0000											

05	0000	0000	0000	0000	1748-1	2495-1	4173-1	1970-1	0000	5926+0	1034+0	1663-1	6968-2	5810+2						
	0000	0000	0000	0000	2949-2	4209-2	7041-2	3325-2	0000	8578-2	1434+1	5510+2	5445+2							
	0000	0000	0000	0000	1051+0	1500+0	2509+0	1185+0	0000											

PROJ	RUN	GROUP	CONF	MACH	I/D	1	2	3	4	5	6	7	8	9	Po	q	Pinf	Re	To	
0626	0002	0023	0001	2980+0	1980+0															
02	1312+0	0000	4560-1	5559-1	1044+0	1695+0	1497+0	1232+0	1253+0	5923+0	1033+0	1662-1	6964-2	5810+2						
	2215-1	0000	7699-2	9386-2	1762-1	2861-1	2527-1	2080-1	2115-1	4125-2	1434+1	5950+2	6105+2							
	7895+0	0000	2744+0	3346+0	6282+0	1019+1	9007+0	7415+0	7539+0											

03	1066+0	1524+0	7326-1	1204+0	1585+0	1614+0	1162+0	1114+0	1029+0	5917+0	1032+0	1660-1	6957-2	5810+2						
	1802-1	2576-1	1238-1	2035-1	2679-1	2727-1	1964-1	1882-1	1740-1	4281-2	1434+1	5950+2	6105+2							
	6423+0	9181+0	4413+0	7254+0	9548+0	9721+0	7000+0	6709+0	6202+0											

04	9757-1	1011+0	1158+0	1457+0	1710+0	1878+0	0000	0000	0000	5914+0	1031+0	1659-1	6953-2	5810+2						
	1649-1	1710-1	1959-1	2463-1	2892-1	3175-1	0000	0000	0000	4297-2	1433+1	5950+2	6105+2							
	5880+0	6096+0	6982+0	8781+0	1031+1	1132+1	0000	0000	0000											

05	0000	0000	0000	0000	1709-1	2460-1	4145-1	1939-1	0000	5908+0	1030+0	1657-1	6946-2	5810+2						
	0000	0000	0000	0000	2892-2	4164-2	7016-2	3283-2	0000	4375-2	1434+1	5950+2	6105+2							
	0000	0000	0000	0000	1031+0	1484+0	2501+0	1170+0	0000											

PROJ	RUN	GROUP	CONF	MACH	I/D	1	2	3	4	5	6	7	8	9	Po	q	Pinf	Re	To	
0626	0003	0024	0001	2980+0	2989+0															
02	2064+0	0000	7817-1	7853-1	1071+0	1709+0	2025+0	2053+0	1335+0	5917+0	1032+0	1660-1	7011-2	5780+2						
	3488-1	0000	1321-1	1327-1	1810-1	2888-1	3423-1	3469-1	2257-1	4672-2	2122-1	5815+2	5840+2							
	1243+1	0000	4709+0	4731+0	6452+0	1029+1	1220+1	1237+1	8044+0											

03	1160+0	1976+0	1040+0	1406+0	1755+0	1947+0	1909+0	1709+0	1429+0	5917+0	1032+0	1660-1	7002-2	5785+2						
	1961-1	3340-1	1758-1	2375-1	2966-1	3289-1	3227-1	2889-1	2414-1	4813-2	2127-1	5815+2	5850+2							
	6989+0	1191+1	6267+0	8467+0	1057+1	1173+1	1150+1	1029+1	8606+0											

04	1054+0	1129+0	1254+0	1377+0	1516+0	1633+0	0000	0000	0000	5945+0	1037+0	1668-1	7026-2	5790+2						
	1773-1	1901-1	2109-1	2317-1	2549-1	2746-1	0000	0000	0000	4969-2	2128-1	5825+2	5850+2							
	6321+0	6775+0	7519+0	8259+0	9088+0	9789+0	0000	0000	0000											

05	0000	3006-1	1461-1	1781-1	1849-1	2175-1	4258-1	1766-1	5513-2	5992+0	1045+0	1681-1	7036-2	5815+2						
	0000	5017-2	2438-2	2972-2	3086-2	3629-2	7107-2	2947-2	9201-3	5094-2	2142-1	5850+2	5885+2							
	0000	1788+0	8689-1	1059+0	1100+0	1294+0	2533+0	1050+0	3279-1											

# Contrails

PROJ	RUN	GROUP	CONF	MACH	I/D													
0626	0003	0027	0001	2980+0	8929+0													
					1	2	3	4	5	6	7	8	9	Po	q	Pinf	Re	To
02	1798+0	0000	1101+0	1168+0	1223+0	1365+0	1577+0	1792+0	2039+0	5934+0	1035+0	1665-1	6923-2	5840+2				
	3029-1	0000	1855-1	1968-1	2061-1	2301-1	2658-1	3029-1	3436-1	4609-2	1867-1	5830+2	5630+2					
	1079+1	0000	6614+0	7015+0	7346+0	8201+0	9474+0	1079+1	1225+1									
03	1640+0	1896+0	1163+0	1435+0	1658+0	1837+0	1916+0	1856+0	1677+0	5933+0	1035+0	1664-1	6921-2	5840+2				
	2765-1	3196-1	1961-1	2418-1	2794-1	3096-1	3229-1	3128-1	2826-1	4984-2	1875-1	5830+2	5630+2					
	9855+0	1139+1	6989+0	8619+0	9959+0	1104+1	1151+1	1115+1	1007+1									
04	1582+0	1624+0	1723+0	1836+0	1769+0	1817+0	0000	0000	0000	5934+0	1035+0	1665-1	6923-2	5840+2				
	2665-1	2737-1	2904-1	3094-1	2982-1	3063-1	0000	0000	0000	5000-2	1877-1	5830+2	5630+2					
	9501+0	9755+0	1035+1	1103+1	1063+1	1092+1	0000	0000	0000									
05	0000	2953-1	1464-1	1745-1	1812-1	2129-1	4224-1	1746-1	5187-2	5947+0	1037+0	1668-1	6938-2	5840+2				
	0000	4965-2	2461-2	2934-2	3047-2	3581-2	7104+2	2936-2	8723-3	5156-2	1877-1	5830+2	5630+2					
	0000	1769+0	8773-1	1046+0	1086+0	1277+0	2532+0	1046+0	3109-1									
PROJ	RUN	GROUP	CONF	MACH	I/D													
0626	0003	0026	0001	2980+0	6939+0													
					1	2	3	4	5	6	7	8	9	Po	q	Pinf	Re	To
02	1592+0	0000	1036+0	1067+0	1137+0	1353+0	1608+0	1796+0	1893+0	5931+0	1034+0	1664-1	6919-2	5840+2				
	2684-1	0000	1747-1	1799-1	1917-1	2281-1	2710-1	3029-1	3191-1	4547-2	1869-1	5835+2	5630+2					
	9567+0	0000	6229+0	6413+0	6835+0	8130+0	9661+0	1079+1	1137+1									
03	1664+0	1977+0	1183+0	1437+0	1658+0	1809+0	1847+0	1763+0	1626+0	5944+0	1037+0	1667-1	6934-2	5840+2				
	2800-1	3326-1	1991-1	2417-1	2789-1	3043-1	3108-1	2967-1	2736-1	4844-2	1875-1	5835+2	5630+2					
	9981+0	1186+1	7096+0	8617+0	9941+0	1085+1	1108+1	1058+1	9751+0									
04	1530+0	1610+0	1703+0	1814+0	1769+0	1866+0	0000	0000	0000	5942+0	1036+0	1667-1	6932-2	5840+2				
	2575-1	2709-1	2866-1	3054-1	2977-1	3139-1	0000	0000	0000	4891-2	1875-1	5835+2	5630+2					
	9180+0	9658+0	1022+1	1088+1	1061+1	1119+1	0000	0000	0000									
05	0000	2965-1	1451-1	1747-1	1813-1	2134-1	4231-1	1733-1	5172-2	5936+0	1035+0	1665-1	6925-2	5840+2				
	0000	4996-2	2445-2	2942-2	3055-2	3596-2	7127-2	2920-2	8713-3	5063-2	1873-1	5835+2	5630+2					
	0000	1781+0	8716-1	1049+0	1089+0	1282+0	2541+0	1041+0	3106-1									
PROJ	RUN	GROUP	CONF	MACH	I/D													
0626	0003	0025	0001	2980+0	4955+0													
					1	2	3	4	5	6	7	8	9	Po	q	Pinf	Re	To
02	1871+0	0000	9491-1	9477-1	1058+0	1388+0	1720+0	1869+0	1924+0	5928+0	1034+0	1663-1	6934-2	5830+2				
	3156-1	0000	1601-1	1599-1	1784-1	2341-1	2902-1	3153-1	3245-1	4641-2	1869-1	5835+2	5650+2					
	1125+1	0000	5707+0	5696+0	6361+0	8346+0	1034+1	1124+1	1157+1									
03	1604+0	1894+0	1113+0	1395+0	1661+0	1849+0	1889+0	1784+0	1609+0	5926+0	1034+0	1663-1	6932-2	5830+2				
	2707-1	3195-1	1877-1	2353-1	2204-1	3119-1	3189-1	3005-1	2716-1	4291-2	1872-1	5835+2	5650+2					
	9649+0	1139+1	6692+0	8388+0	9993+0	1112+1	1137+1	1073+1	9681+0									
04	1515+0	1659+0	1752+0	1861+0	1408+0	1510+0	0000	0000	0000	5928+0	1034+0	1663-1	6925-2	5835+2				
	2557-1	2800-1	2956-1	3139-1	2376-1	2548-1	0000	0000	0000	5000-2	1867-1	5840+2	5660+2					
	9113+0	9981+0	1054+1	1119+1	8468+0	9081+0	0000	0000	0000									
05	0000	2940-1	1458-1	1747-1	1809-1	2138-1	4218-1	1739-1	5358-2	5928+0	1034+0	1663-1	6916-2	5840+2				
	0000	4959-2	2459-2	2946-2	3051-2	3606-2	7116-2	2934-2	9038-3	5156-2	1873-1	5840+2	5665+2					
	0000	1768+0	8764-1	1050+0	1088+0	1285+0	2536+0	1046+0	3222-1									

PROJ	RUN	GROUP	CONF	MACH	X/D	1	2	3	4	5	6	7	8	9	Po	q	Pinf	Re	To	
0626	003	0028	0001	2980+0	1094+1															
02	1754+0	0000	1191+0	1255+0	1414+0	1562+0	1712+0	1879+0	5947+0	1037+0	1668-1	6938-2	5840+2							
	2949-1	0000	2003-1	2111-1	2184-1	2377-1	2879-1	3159-1	4563-2	1872-1	5830+2	5645+2								
	1051+1	0000	7139+0	7525+0	7783+0	8473+0	9365+0	1126+1												
03	1648+0	1899+0	1163+0	1400+0	1619+0	1813+0	1928+0	1829+0	5955+0	1038+0	1671-1	6947-2	5840+2							
	2768-1	3189-1	1952-1	2351-1	2718-1	3044-1	3238-1	3073-1	4906-2	1873-1	5830+2	5645+2								
	9865+0	1137+1	6959+0	8381+0	9689+0	1085+1	1154+1	1095+1												
04	1723+0	1698+0	1765+0	1926+0	1886+0	1889+0	0000	0000	5947+0	1037+0	1668-1	6938-2	5840+2							
	2897-1	2856-1	2967-1	3239-1	3171-1	3177-1	0000	0000	5047-2	1875-1	5830+2	5650+2								
	1033+1	1018+1	1058+1	1155+1	1130+1	1132+1	0000	0000												
05	0000	2949-1	1465-1	1743-1	1816-1	2136-1	4228-1	1746-1	5972+0	1041+0	1675-1	6976-2	5835+2							
	0000	4939-2	2454-2	2919-2	3042-2	3577-2	7079-2	2923-2	5172-2	1883-1	5825+2	5640+2								
	0000	1761+0	8746-1	1041+0	1084+0	1275+0	2523+0	1042+0	3031-1											

PROJ	RUN	GROUP	CONF	MACH	X/D	1	2	3	4	5	6	7	8	9	Po	q	Pinf	Re	To	
0626	003	0029	0001	4030+0	1019+0															
02	2653+0	0000	5946-1	2224+0	1764+0	2200+0	3165+0	4929+0	8575+0	7343+1	5283+0	4992-1	5905+2							
	3613-2	0000	8097-3	3029-2	2403-2	2996-2	4311-2	6713-2	1168-1	1034-1	4914-1	6010+2	5955+2							
	5709+0	0000	1279+0	4786+0	3797+0	4734+0	6811+0	1061+1	1845+1											
03	5057+0	3177+0	7892-1	2566+0	2736+0	3120+0	3798+0	4203+0	4398+0	7355+1	5291+0	4655-1	4994-1	5810+2						
	6876-2	4319-2	1073-2	3489-2	3719-2	4243-2	5164-2	5715-2	5979-2	1044-1	4917-1	6015+2	5975+2							
	1086+1	6826+0	1696+0	5514+0	5877+0	6704+0	8159+0	9029+0	9448+0											
04	5720+0	8232+0	1053+1	1387+1	8230+0	8840+0	0000	0000	7352+1	5289+0	4653-1	4985-1	5815+2							
	7780-2	1119-1	1432-1	1887-1	1119-1	1202-1	0000	0000	1041-1	4906-1	6030+2	5990+2								
	1229+1	1769+1	2263+1	2982+1	1769+1	1899+1	0000	0000												
05	0000	1115+0	4465-1	4581-1	4856-1	6375-1	1587+0	5902-1	1157-1	7341+1	5281+0	4646-1	4971-1	5820+2						
	0000	1519-2	6082-3	6241-3	6616-3	8684-3	2162-2	8039-3	1576-3	1031-1	4899-1	6035+2	6000+2							
	0000	2401+0	9611-1	9862-1	1045+0	1372+0	3417+0	1270+0	2491-1											

PROJ RUN GROUP CONF MACH I/D  
 0626 0003 0030 0001 4030+0 1985+0

	1	2	3	4	5	6	7	8	9	Po	q	Pinf	Re	To
02	4317+0	0000	1762+0	2878+0	5261+0	4071+0	4350+0	4921+0	6294+0	7296+1	5249+0	4617-1	4922-1	5835+2
	5916-2	0000	2415-2	3944-2	7210-2	5579-2	5962-2	6745-2	8626-2	8719-2	4877-1	5885+2	6180+2	
	9348+0	0000	3817+0	6232+0	1139+1	8817+0	9421+0	1066+1	1363+1					
03	4349+0	3665+0	3515+0	5964+0	7975+0	4003+0	3509+0	3580+0	4068+0	7294+1	5248+0	4616-1	4914-1	5840+2
	5963-2	5025-2	4819-2	8176-2	1093-1	5489-2	4812-2	4908-2	5577-2	8672-2	4881-1	5890+2	6190+2	
	9422+0	7940+0	7616+0	1292+1	1728+1	8673+0	7604+0	7756+0	8813+0					
04	5048+0	6357+0	7407+0	9241+0	1097+1	8432+0	0000	0000	0000	7303+1	5254+0	4622-1	4920-1	5840+2
	6912-2	8705-2	1014-1	1265-1	1502-1	1155-1	0000	0000	0000	8656-2	4870-1	5890+2	6190+2	
	1092+1	1375+1	1603+1	1999+1	2373+1	1824+1	0000	0000	0000					
05	0000	1121+0	4440-1	4529-1	4819-1	6336-1	1576+0	5800-1	9722-2	7294+1	5248+0	4616-1	4914-1	5840+2
	0000	1537-2	6088-3	6210-3	6607-3	8686-3	2160-2	7952-3	1333-3	8828-2	4870-1	5890+2	6190+2	
	0000	2429+0	9619-1	9813-1	1044+0	1373+0	3413+0	1257+0	2106-1					

proj run group conf mach xtd  
 0626 0003 0031 0001 4030+0 2970+0

	1	2	3	4	5	6	7	8	9	Po	q	Pinf	Re	To
02	9622+0	0000	2600+0	2935+0	4961+0	8861+0	9472+0	5226+0	5946+0	7310+1	5259+0	4626-1	4919-1	5845+2
	1316-1	0000	3557-2	4016-2	6786-2	1212-1	1296-1	7149-2	8134-2	8672-2	4899-1	5895+2	6060+2	
	2079+1	0000	5621+0	6345+0	1072+1	1915+1	2047+1	1129+1	1285+1					
03	5174+0	6742+0	4598+0	6906+0	8541+0	7182+0	6466+0	4442+0	5093+0	7322+1	5268+0	4634-1	4927-1	5845+2
	7067-2	9208-2	6279-2	9431-2	1167-1	9808-2	8831-2	6067-2	6956-2	8797-2	4897-1	5895+2	6050+2	
	1117+1	1455+1	9923+0	1490+1	1843+1	1549+1	1395+1	9586+0	1099+1					
04	5796+0	6287+0	6627+0	7904+0	8794+0	9549+0	0000	0000	0000	7319+1	5266+0	4632-1	4919-1	5850+2
	7921-2	8989-2	9053-2	1079-1	1201-1	1305-1	0000	0000	0000	8906-2	4897-1	5895+2	6060+2	
	1252+1	1357+1	1431+1	1706+1	1898+1	2062+1	0000	0000	0000					
05	0000	1118+0	4448-1	4545-1	4849-1	6327-1	1584+0	5863-1	9970-2	7327+1	5271+0	4637-1	4924-1	5850+2
	0000	1525-2	6071-3	6204-3	6618-3	8635-3	2162-2	8002-3	1361-3	8875-2	4906-1	5895+2	6060+2	
	0000	2410+0	9593-1	9803-1	1046+0	1364+0	3417+0	1264+0	2150-1					

PROJ	NUM	GROUP	CONF	MACH	X/D	1	2	3	4	5	6	7	8	9	Po	q	Pinf	Re	To	
0626	0003	0032	0001	4030+0	4955+0															
02	8835+0	0000	3637+0	3412+0	4170+0	6834+0	8665+0	9322+0	9883+0	7336+1	5278+0	4643-1	4929-1	5850+2						
	1204-1	0000	4957-2	4651-2	5684-2	9316-2	1181-1	1271-1	1347-1	8500-2	4913-1	5900+2	5820+2							
	1903+1	0000	7833+0	7349+0	8982+0	1472+1	1866+1	2008+1	2129+1											
03	8745+0	7423+0	5364+0	6835+0	7748+0	7473+0	7148+0	7532+0	8944+0	7345+1	5285+0	4649-1	4936-1	5850+2						
	1191-1	1011-1	7302-2	9305-2	1055-1	1017-1	9732-2	1025-1	1218-1	8781-2	4902-1	5900+2	5820+2							
	1881+1	1597+1	1154+1	1470+1	1667+1	1608+1	1538+1	1620+1	1924+1											
04	9160+0	9459+0	6568+0	7087+0	7264+0	7793+0	0000	0000	0000	7341+1	5281+0	4646-1	4933-1	5850+2						
	1248-1	1289-1	8948-2	9654-2	9895-2	1062-1	0000	0000	0000	8875-2	4913-1	5900+2	5820+2							
	1972+1	2036+1	1414+1	1525+1	1564+1	1677+1	0000	0000	0000											
05	0000	1121+0	4465-1	4552-1	4841-1	6338-1	1587+0	6007-1	9054-2	7343+1	5283+0	4647-1	4935-1	5850+2						
	0000	1526-2	6081-3	6198-3	6592-3	8631-3	2162-2	8179-3	1233-3	9016-2	4899-1	5900+2	5820+2							
	0000	2411+0	9608-1	9794-1	1042+0	1364+0	3416+0	1293+0	1948-1											

PROJ	NUM	GROUP	CONF	MACH	X/D	1	2	3	4	5	6	7	8	9	Po	q	Pinf	Re	To	
0626	0003	0033	0001	4030+0	6939+0															
02	8092+0	0000	4301+0	4089+0	4381+0	6031+0	7852+0	8913+0	9500+0	7345+1	5285+0	4649-1	4929-1	5855+2						
	1102-1	0000	5856-2	5568-2	5964-2	8211-2	1069-1	1216-1	1293-1	8625-2	4899-1	5900+2	5850+2							
	1744+1	0000	9253+0	8798+0	9424+0	1297+1	1689+1	1922+1	2044+1											
03	8529+0	7509+0	5793+0	6929+0	7507+0	7469+0	7230+0	7656+0	8888+0	7336+1	5278+0	4643-1	4924-1	5855+2						
	1163-1	1024-1	7897-2	9445-2	1023-1	1018-1	9856-2	1044-1	1212-1	8828-2	4914-1	5900+2	5850+2							
	1837+1	1617+1	1248+1	1492+1	1617+1	1609+1	1557+1	1649+1	1914+1											
04	8846+0	9068+0	9235+0	9689+0	9262+0	7322+0	0000	0000	0000	7343+1	5283+0	4647-1	4928-1	5855+2						
	1205-1	1235-1	1258-1	1319-1	1261-1	9971-2	0000	0000	0000	8906-2	4922-1	5900+2	5850+2							
	1904+1	1951+1	1987+1	2085+1	1993+1	1575+1	0000	0000	0000											
05	0000	1129+0	4456-1	4561-1	4850-1	6334-1	1584+0	5979-1	8821-2	7329+1	5273+0	4638-1	4919-1	5855+2						
	0000	1542-2	6079-3	6223-3	6618-3	8643-3	2162-2	8157-3	1204-3	8985-2	4911-1	5895+2	5845+2							
	0000	2436+0	9607-1	9834-1	1046+0	1366+0	3416+0	1289+0	1902-1											



PROJ	RUN	GROUP	CONF	MACH	I/D	1	2	3	4	5	6	7	8	9	Po	q	Pinf	Re	To	
0626	0003	003A	0001	4030+0	8929+0															
02	7501+0	0000	4760+0	4634+0	4729+0	5782+0	7179+0	8462+0	9259+0	7313+1	5261+0	4628-1	4946-1	5825+2						
	1026-1	0000	6509-2	6336-2	6467-2	7852-2	9817-2	1157-1	1266-1	8698-2	4883-1	5850+2	5845+2							
	1621+1	0000	1029+1	1001+1	1022+1	1241+1	1551+1	1828+1	2001+1											
03	8434+0	7486+0	5933+0	6898+0	7294+0	7340+0	7799+0	8802+0	7308+1	5258+0	4625-1	4949-1	5820+2							
	1154-1	1024-1	8119-2	9439-2	9981-2	1004-1	9858-2	1066-1	1204-1	8750-2	4884-1	5850+2	5845+2							
	1824+1	1619+1	1283+1	1492+1	1577+1	1587+1	1684+1	1903+1												
04	8624+0	8716+0	9053+0	9357+0	8913+0	9099+0	0000	0000	0000	7303+1	5254+0	4622-1	4946-1	5820+2						
	1181-1	1193-1	1239-1	1281-1	1220-1	1246-1	0000	0000	0000	8828-2	4881-1	5850+2	5840+2							
	1866+1	1886+1	1959+1	2024+1	1929+1	1969+1	0000	0000	0000											
05	0000	1112+0	4453-1	4534-1	4819-1	6313-1	1579+0	5966-1	8635-2	7308+1	5258+0	4625-1	4955-1	5815+2						
	0000	1522-2	6093-3	6205-3	6594-3	8638-3	2161-2	8164-3	1182-3	8781-2	4884-1	5840+2	5835+2							
	0000	2405+0	9628-1	9804-1	1042+0	1365+0	3415+0	1290+0	1867-1											

PROJ	RUN	GROUP	CONF	MACH	I/D	1	2	3	4	5	6	7	8	9	Po	q	Pinf	Re	To	
0626	0003	0035	0001	4030+0	1094+1															
02	7096+0	0000	5099+0	5036+0	5083+0	5695+0	6706+0	7960+0	9262+0	7310+1	5259+0	4626-1	4957-1	5815+2						
	9707-2	0000	6976-2	6889-2	6953-2	7791-2	9174-2	1089-1	1267-1	8656-2	4874-1	5830+2	5825+2							
	1534+1	0000	1102+1	1089+1	1099+1	1231+1	1449+1	1721+1	2002+1											
03	8446+0	7484+0	6019+0	6877+0	7224+0	7329+0	7319+0	8061+0	8767+0	7308+1	5258+0	4625-1	4955-1	5815+2						
	1156-1	1024-1	8237-2	9411-2	9885-2	1003-1	1002-1	1103-1	1199-1	8859-2	4889-1	5830+2	5825+2							
	1826+1	1618+1	1302+1	1487+1	1562+1	1585+1	1583+1	1743+1	1896+1											
04	8654+0	8631+0	9004+0	9251+0	8841+0	8966+0	0000	0000	0000	7308+1	5258+0	4625-1	4955-1	5815+2						
	1184-1	1181-1	1232-1	1266-1	1209-1	1227-1	0000	0000	0000	8844-2	4879-1	5830+2	5825+2							
	1871+1	1866+1	1947+1	2000+1	1912+1	1939+1	0000	0000	0000											
05	0000	1127+0	4454-1	4539-1	4817-1	6320-1	1583+0	5958-1	8386-2	7324+1	5269+0	4635-1	4960-1	5820+2						
	0000	1539-2	6081-3	6197-3	6577-3	8629-3	2161-2	8135-3	1145-3	8859-2	4903-1	5835+2	5830+2							
	0000	2431+0	9609-1	9792-1	1039+0	1364+0	3414+0	1285+0	1809-1											

PROJ	RUN	GROUP	CONF	MACH	I/D	1	2	3	4	5	6	7	8	9	Po	q	Pinf	Re	To	
0686	0003	0036	0001	3990+0	1019+0															
02	6082-1	0000	1688-1	4212-1	3912-1	4873-1	6029-1	8812-1	1579+0	1364+1	1015+0	9107-2	9358-2	5850+2						
	4457-2	0000	1237-2	3087-2	2867-2	3572-2	4419-2	6459-2	1158-1	1922-2	1061-1	5760+2	5720+2							
	6678+0	0000	1854+0	4625+0	4296+0	5351+0	6621+0	9677+0	1734+1											
03	1213+0	8661-1	9855-2	1957-1	7715-1	7863-1	8955-1	1010+0	1158+0	1379+1	1026+0	9206-2	9448-2	5855+2						
	8796-2	6279-2	7146-3	1419-2	5594-2	5701-2	6493-2	7324-2	8397-2	2156-2	1084-1	5775+2	5720+2							
	1318+1	9408+0	1071+0	2126+0	8381+0	8541+0	9728+0	1097+1	1258+1											
04	1048+0	8234-1	1068+0	1958+0	1599+0	1561+0	0000	0000	0000	1381+1	1027+0	9216-2	9471-2	5850+2						
	7589-2	5963-2	7734-2	1418-1	1158-1	1130-1	0000	0000	0000	2234-2	1084-1	5770+2	5725+2							
	1137+1	8934+0	1159+1	2125+1	1735+1	1694+1	0000	0000	0000											
05	0000	2235-1	9317-2	9518-2	1063-1	1225-1	2384-1	1175-1	2221-2	1375+1	1022+0	9175-2	9452-2	5840+2						
	0000	1626-2	6778-3	6924-3	7732-3	8912-3	1734-2	8549-3	1616-3	2344-2	1086-1	5750+2	5715+2							
	0000	2436+0	1016+0	1037+0	1158+0	1335+0	2598+0	1281+0	2421-1											

PROJ	RUN	GROUP	CONF	MACH	I/D	1	2	3	4	5	6	7	8	9	Po	q	Pinf	Re	To	
0686	0003	0037	0001	3990+0	1980+0															
02	8436-1	0000	5778-1	7844-1	1082+0	8596-1	8251-1	9241-1	1175+0	1354+1	1007+0	9039-2	9337-2	5830+2						
	6229-2	0000	4266-2	5792-2	7989-2	6347-2	6092-2	6824-2	8678-2	1734-2	1031-1	5955+2	5830+2							
	9332+0	0000	6392+0	8677+0	1197+1	9509+0	9128+0	1022+1	1300+1											
03	8685-1	8416-1	4642-1	7652-1	1445+0	1275+0	8226-1	8399-1	8542-1	1349+1	1003+0	9003-2	9311-2	5825+2						
	6439-2	6239-2	3441-2	5673-2	1049-1	9452-2	6099-2	6227-2	6333-2	1813-2	1045-1	5950+2	5830+2							
	9647+0	9348+0	5156+0	8499+0	1572+1	1416+1	9137+0	9329+0	9488+0											
04	8169-1	7556-1	8598-1	1596+0	1945+0	1808+0	0000	0000	0000	1346+1	1002+0	8987-2	9295-2	5825+2						
	6068-2	5611-2	6386-2	1186-1	1445-1	1343-1	0000	0000	0000	1984-2	1045-1	5945+2	5825+2							
	9091+0	8407+0	9567+0	1776+1	2164+1	2012+1	0000	0000	0000											
05	0000	2199-1	9025-2	9235-2	1008-1	1169-1	2302-1	1149-1	2221-2	1339+1	9963-1	8939-2	9258-2	5820+2						
	0000	1642-2	6738-3	6895-3	7527-3	8726-3	1719-2	8577-3	1658-3	2063-2	1044-1	5935+2	5820+2							
	0000	2459+0	1009+0	1033+0	1128+0	1307+0	2575+0	1285+0	2484-1											

PROJ RUN GROUP CONFP MACH I/D  
0626 0003 0038 0001 3990+0 2970+0

	1	2	3	4	5	6	7	8	9	Po	q	Pinf	Re	To
02	1849+0	0000	7149-1	8938-1	1175+0	1706+0	1855+0	1016+0	1129+0	1336+1	9939-1	8919-2	9260-2	5810+2
	1384-1	0000	5350-2	6689-2	8790-2	1277-1	1388-1	7600-2	8451-2	1641-2	1022-1	5810+2	5815+2	
	2073+1	0000	8016+0	1002+1	1317+1	1913+1	2079+1	1139+1	1266+1					
03	7402-1	1492+0	6442-1	9319-1	1421+0	1557+0	1427+0	9227-1	7605-1	1334+1	9922-1	8904-2	9244-2	5810+2
	5549-2	1119-1	4829-2	6987-2	1065-1	1167-1	1069-1	6917-2	5701-2	1750-2	1036-1	5810+2	5815+2	
	8314+0	1676+1	7236+0	1047+1	1596+1	1749+1	1603+1	1036+1	8542+0					
04	7197-1	7481-1	9016-1	1375+0	1594+0	1749+0	0000	0000	0000	1334+1	9922-1	8904-2	9244-2	5810+2
	5395-2	5608-2	6759-2	1031-1	1195-1	1312-1	0000	0000	0000	1844-2	1041-1	5805+2	5810+2	
	8083+0	8403+0	1013+1	1544+1	1791+1	1965+1	0000	0000	0000					
05	0000	2161-1	8856-2	9141-2	1005-1	1163-1	2283-1	1144-1	2050-2	1332+1	9905-1	8888-2	9239-2	5805+2
	0000	1623-2	6651-3	6865-3	7547-3	8730-3	1715-2	8592-3	1539-3	2000-2	1039-1	5805+2	5810+2	
	0000	2432+0	9964-1	1028+0	1131+0	1308+0	2569+0	1287+0	2307-1					

PROJ RUN GROUP CONFP MACH I/D  
0626 0003 0039 0001 3990+0 4955+0

	1	2	3	4	5	6	7	8	9	Po	q	Pinf	Re	To
02	1794+0	0000	8099-1	9596-1	1168+0	1509+0	1763+0	1842+0	1883+0	1353+1	1007+0	9034-2	9404-2	5800+2
	1325-1	0000	5984-2	7090-2	8633-2	1115-1	1303-1	1361-1	1391-1	1703-2	1039-1	5680+2	5710+2	
	1986+1	0000	8966+0	1062+1	1293+1	1671+1	1952+1	2038+1	2085+1					
03	1199+0	1563+0	7804-1	9942-1	1240+0	1454+0	1548+0	1423+0	1242+0	1357+1	1009+0	9059-2	9431-2	5800+2
	8834-2	1151-1	5749-2	7324-2	9136-2	1071-1	1141-1	1048-1	9150-2	1781-2	1053-1	5680+2	5710+2	
	1324+1	1725+1	8614+0	1097+1	1369+1	1605+1	1709+1	1571+1	1371+1					
04	1217+0	1447+0	1695+0	1325+0	1394+0	1446+0	0000	0000	0000	1361+1	1013+0	9086-2	9458-2	5800+2
	8941-2	1063-1	1245-1	9734-2	1024-1	1062-1	0000	0000	0000	1828-2	1058-1	5685+2	5700+2	
	1339+1	1593+1	1865+1	1458+1	1534+1	1591+1	0000	0000	0000					
05	0000	2224-1	9317-2	9314-2	1028-1	1191-1	2362-1	1178-1	2267-2	1369+1	1018+0	9138-2	9512-2	5800+2
	0000	1624-2	6806-3	6803-3	7512-3	8697-3	1725-2	8606-3	1656-3	2031-2	1058-1	5690+2	5700+2	
	0000	2434+0	1019+0	1019+0	1125+0	1303+0	2585+0	1289+0	2481-1					

PROJ	RUN	GROUP	CONV	MACH	I/D	1	2	3	4	5	6	7	8	9	Po	q	Pinf	Re	To	
0626	0003	0040	0001	3990+0	6939+0															
02	1692+0	0000	8835-1	1023+0	1198+0	1446+0	1672+0	1758+0	1794+0	1302-1	1302-1	1719-2	1048-1	1025+0	1378+1	1025+0	9195-2	9572-2	5800+2	
	1228-1	0000	6413-2	7427-2	8696-2	1049-1	1214-1	1276-1	1302-1	1302-1	1719-2	1048-1	1025+0	1378+1	1025+0	9195-2	9572-2	5800+2		
	1839+1	0000	9608+0	1113+1	1303+1	1572+1	1818+1	1912+1	1951+1											
03	1325+0	1520+0	8827-1	1066+0	1235+0	1408+0	1529+0	1482+0	1352+0	1352+0	1377+1	1024+0	9190-2	9566-2	5800+2					
	9620-2	1104-1	6411-2	7738-2	8972-2	1023-1	1111-1	1076-1	9816-2	1813-2	1066-1	5660+2	5680+2							
	1441+1	1654+1	9605+0	1159+1	1344+1	1532+1	1665+1	1612+1	1471+1											
04	1319+0	1494+0	1774+0	1811+0	1766+0	1392+0	0000	0000	0000	0000	1378+1	1025+0	9201-2	9577-2	5800+2					
	9775-2	1084-1	1287-1	1313-1	1281-1	1009-1	0000	0000	0000	0000	1906-2	1069-1	5660+2	5680+2						
	1435+1	1624+1	1928+1	1968+1	1919+1	1513+1	0000	0000	0000											
05	0000	2239-1	9379-2	9392-2	1029-1	1197-1	2387-1	1175-1	2159-2	1380+1	1026+0	9211-2	9588-2	5800+2						
	0000	1623-2	6796-3	6806-3	7463-3	8673-3	1729-2	8516-3	1564-3	2063-2	1069-1	5660+2	5680+2							
	0000	2431+0	1018+0	1019+0	1118+0	1299+0	2591+0	1276+0	2344-1											
PROJ	RUN	GROUP	CONV	MACH	I/D															
0626	0003	0041	0001	3990+0	8929+0															
02	1636+0	0000	9251-1	1057+0	1212+0	1429+0	1649+0	1771+0	1799+0	1382+1	1028+0	9222-2	9599-2	5800+2						
	1184-1	0000	6696-2	7654-2	8773-2	1035-1	1194-1	1282-1	1302-1	1594-2	1038-1	5650+2	5680+2							
	1774+1	0000	1003+1	1147+1	1314+1	1549+1	1789+1	1921+1	1951+1											
03	1359+0	1471+0	9465-1	1117+0	1249+0	1379+0	1478+0	1469+0	1374+0	1383+1	1029+0	9232-2	9622-2	5795+2						
	9830-2	1063-1	6843-2	8077-2	9027-2	9973-2	1069-1	1063-1	9935-2	1719-2	1058-1	5650+2	5680+2							
	1473+1	1593+1	1025+1	1210+1	1353+1	1494+1	1601+1	1592+1	1488+1											
04	1356+0	1502+0	1693+0	1771+0	1743+0	1744+0	0000	0000	0000	1384+1	1029+0	9237-2	9628-2	5795+2						
	9796-2	1085-1	1223-1	1279-1	1259-1	1260-1	0000	0000	0000	1781-2	1061-1	5650+2	5680+2							
	1468+1	1626+1	1833+1	1917+1	1887+1	1888+1	0000	0000	0000											
05	0000	2239-1	9333-2	9455-2	1036-1	1203-1	2398-1	1177-1	2236-2	1383+1	1029+0	9232-2	9622-2	5795+2						
	0000	1619-2	6747-3	6836-3	7492-3	8699-3	1734-2	8508-3	1617-3	2000-2	1070-1	5650+2	5680+2							
	0000	2426+0	1011+0	1024+0	1122+0	1303+0	2597+0	1275+0	2422-1											

PROJ	RUN	GROUP	COMP	MACH	X/D	1	2	3	4	5	6	7	8	9	Po	q	Pinf	Re	To	
0626	0003	0042	0001	3990+0	1094+1															
02	1564+0	0000	9546-1	1083+0	1217+0	1396+0	1584+0	1783+0	1385+1	1029+0	9242-2	9633-2	5795+2							
	1129-1	0000	6894-2	7819-2	8792-2	1008-1	1144-1	1288-1	1641-2	1047-1	5645+2	5680+2								
	1692+1	0000	1033+1	1171+1	1317+1	1510+1	1714+1	1868+1	1929+1											
03	1478+0	1502+0	9786-1	1145+0	1256+0	1363+0	1459+0	1472+0	1385+1	1029+0	9242-2	9633-2	5795+2							
	1067-1	1085-1	7067-2	8271-2	9074-2	9843-2	1054-1	1063-1	1734-2	1059-1	5645+2	5680+2								
	1599+1	1626+1	1059+1	1239+1	1359+1	1475+1	1579+1	1593+1	1526+1											
04	1410+0	1552+0	1689+0	1767+0	1716+0	1725+0	0000	0000	1385+1	1029+0	9242-2	9633-2	5795+2							
	1018-1	1121-1	1219-1	1276-1	1239-1	1245-1	0000	0000	1734-2	1067-1	5645+2	5680+2								
	1526+1	1679+1	1828+1	1912+1	1857+1	1866+1	0000	0000												
05	0000	2249-1	9363-2	9455-2	1035-1	1202-1	2399-1	1178-1	1385+1	1031+0	9248-2	9639-2	5795+2							
	0000	1623-2	6758-3	6824-3	7468-3	8673-3	1732-2	8505-3	2016-2	1072-1	5645+2	5680+2								
	0000	2432+0	1013+0	1022+0	1119+0	1299+0	2595+0	1274+0	2385-1											

PROJ	RUN	GROUP	COMP	MACH	X/D	1	2	3	4	5	6	7	8	9	Po	q	Pinf	Re	To	
0626	0003	0043	0001	5000+0	1005+0															
02	1442+0	0000	1225+0	1015+0	1007+0	1098+0	1619+0	3218+0	1346+2	4453+0	2544-1	5083-1	6260+2							
	1071-2	0000	9098-3	7538-3	7481-3	8156-3	1203-2	2390-2	3078-2	2417-1	6290+2	6030+2								
	5668+0	0000	4814+0	3988+0	3958+0	4315+0	6367+0	1265+1	2902+1											
03	3541+0	2170+0	4419-1	1099+0	1581+0	1898+0	2718+0	3230+0	1347+2	4454+0	2545-1	5073-1	6270+2							
	2629-2	1612-2	3281-3	8167-3	1174-2	1409-2	2018-2	2399-2	3203-2	2481-1	6300+2	6040+2								
	1391+1	8527+0	1736+0	4321+0	6212+0	7455+0	1068+1	1269+1												
04	4109+0	7347+0	8647+0	7122+0	6421+0	6167+0	0000	0000	1346+2	4454+0	2545-1	5066-1	6275+2							
	3052-2	5457-2	6422-2	5289-2	4769-2	4579-2	0000	0000	3328-2	2441-1	6315+2	6040+2								
	1615+1	2887+1	3398+1	2799+1	2523+1	2423+1	0000	0000												
05	0000	7739-1	2729-1	2357-1	2311-1	3352-1	8715-1	3833-1	1337+2	4423+0	2527-1	4989-1	6310+2							
	0000	5787-3	2041-3	1763-3	1728-3	2507-3	6518-3	2867-3	3641-2	2444-1	6375+2	6085+2								
	0000	3062+0	1079+0	9328-1	9145-1	1326+0	3448+0	1517+0	1629-1											

PROJ	RUN	GROUP	CONF	MACH	I/D	1	2	3	4	5	6	7	8	9	Po	q	Pinf	Re	To	
0626	0003	0044	0001	5000+0	1980+0															
02	2993+0	0000	1764+0	2196+0	2846+0	2409+0	3114+0	3711+0	5194+0	1333+2	4409+0	2519-1	4927-1	6350+2						
	2245-2	0000	1323-2	1647-2	2135-2	1807-2	2336-2	2784-2	3866-2	3125-2	2423-1	6470+2	6410+2							
	1188+1	0000	7000+0	8715+0	1129+1	9560+0	1236+1	1473+1	2046+1											
03	2997+0	2257+0	1373+0	2308+0	4863+0	2507+0	2405+0	2407+0	2633+0	1331+2	4403+0	2516-1	4919-1	6350+2						
	2251-2	1695-2	1032-2	1733-2	3653-2	1883-2	1807-2	1808-2	1977-2	3250-2	2427-1	6475+2	6415+2							
	1191+1	8969+0	5458+0	9172+0	1933+1	9964+0	9559+0	9568+0	1046+1											
04	3518+0	5089+0	6153+0	9429+0	6201+0	6080+0	0000	0000	0000	1334+2	4412+0	2521-1	4929-1	6350+2						
	2637-2	3816-2	4613-2	7069-2	4649-2	4558-2	0000	0000	0000	3266-2	2436-1	6480+2	6410+2							
	1395+1	2019+1	2441+1	3740+1	2459+1	2412+1	0000	0000	0000											
05	0000	7707-1	2724-1	2349-1	2309-1	3348-1	8707-1	3826-1	3867-2	1333+2	4408+0	2519-1	4919-1	6355+2						
	0000	5783-3	2044-3	1763-3	1733-3	2513-3	6533-3	2871-3	2902-4	3516-2	2429-1	6485+2	6415+2							
	0000	3059+0	1082+0	9328-1	9169-1	1329+0	3457+0	1519+0	1535-1											

PROJ	RUN	GROUP	CONF	MACH	I/D	1	2	3	4	5	6	7	8	9	Po	q	Pinf	Re	To	
0626	0003	0045	0001	5000+0	2970+0															
02	7129+0	0000	2061+0	2412+0	3083+0	6321+0	6718+0	3766+0	4521+0	1331+2	4403+0	2516-1	4919-1	6350+2						
	5355-2	0000	1548-2	1812-2	2316-2	4748-2	5046-2	2829-2	3396-2	2547-2	2355-1	6455+2	6295+2							
	2833+1	0000	8189+0	9585+0	1225+1	2512+1	2670+1	1497+1	1797+1											
03	3488+0	3766+0	1781+0	895+0	5008+0	4547+0	3721+0	2484+0	3043+0	1332+2	4405+0	2517-1	4923-1	6350+2						
	2619-2	2828-2	1337-2	2173-2	3759-2	3414-2	2794-2	1865-2	2285-2	2781-2	2398-1	6455+2	6295+2							
	1386+1	1496+1	7077+0	1149+1	1989+1	1806+1	1478+1	9867+0	1209+1											
04	3987+0	4729+0	5268+0	6503+0	7659+0	7944+0	0000	0000	0000	1333+2	4409+0	2519-1	4927-1	6350+2						
	2991-2	3547-2	3952-2	4878-2	5745-2	5959-2	0000	0000	0000	3047-2	2436-1	6450+2	6290+2							
	1582+1	1877+1	2091+1	2581+1	3039+1	3153+1	0000	0000	0000											
05	0000	7731-1	2721-1	2348-1	2316-1	3355-1	8660-1	3799-1	4007-2	1332+2	4405+0	2517-1	4933-1	6340+2						
	0000	5805-3	2044-3	1763-3	1739-3	2519-3	6503-3	2853-3	3009-4	3625-2	2405-1	6450+2	6285+2							
	0000	3071+0	1081+0	9329-1	9201-1	1333+0	3441+0	1509+0	1592-1											

PROJ	RUN	GROUP	CONF	MACH	I/D	1	2	3	4	5	6	7	8	9	Po	q	Pinf	Re	To	
0626	0003	0046	0001	5000+0	4955+0															
02	6800+0	0000	222+0	2570+0	3258+0	5623+0	6842+0	7098+0	7449+0	1329+0	1329+2	4395+0	2512-1	4935-1	6330+2					
	5117-2	0000	1674-2	1934-2	2451-2	4231-2	5149-2	5341-2	5606-2	3109-2	3109-2	2425-1	6285+2	6310+2						
	2708+1	0000	8856+0	1023+1	1297+1	2239+1	2724+1	2826+1	2966+1											
03	6892+0	4629+0	2245+0	3124+0	4519+0	5098+0	4797+0	5069+0	6784+0	1331+2	1331+2	4401+0	2515-1	4947-1	6325+2					
	5179-2	3479-2	1687-2	2348-2	3397-2	3831-2	3605-2	3809-2	5099-2	3422-2	3422-2	2420-1	6285+2	6310+2						
	2741+1	1841+1	8928+0	1242+1	1797+1	2027+1	1907+1	2016+1	2698+1											
04	6437+0	4339+0	5029+0	5726+0	5993+0	6127+0	0000	0000	0000	1333+2	1333+2	4408+0	2519-1	4954-1	6325+2					
	4830-2	3256-2	3774-2	4297-2	4497-2	4597-2	0000	0000	0000	3391-2	3391-2	2416-1	6280+2	6310+2						
	2556+1	1723+1	1997+1	2273+1	2379+1	2433+1	0000	0000	0000											
05	0000	7746-1	2719-1	2348-1	2309-1	3359-1	8647-1	3836-1	4053-2	1332+2	1332+2	4406+0	2518-1	4959-1	6320+2					
	0000	5815-3	2042-3	1763-3	1734-3	2522-3	6491-3	2879-3	3043-4	3484-2	3484-2	2434-1	6285+2	6300+2						
	0000	3076+0	1080+0	9325-1	9173-1	1334+0	3434+0	1524+0	1609-1											
0626	0003	0047	0001	5000+0	6939+0															
02	6411+0	0000	2423+0	2749+0	3437+0	5429+0	6667+0	6897+0	7129+0	1332+2	1332+2	4406+0	2518-1	4964-1	6315+2					
	4813-2	0000	1819-2	2063-2	2580-2	4076-2	5004-2	5177-2	5352-2	2563-2	2563-2	2395-1	6280+2	6400+2						
	2546+1	0000	9622+0	1092+1	1365+1	2156+1	2648+1	2739+1	2832+1											
03	6899+0	4669+0	2680+0	3463+0	4382+0	4967+0	4909+0	5195+0	6586+0	1332+2	1332+2	4406+0	2518-1	4964-1	6315+2					
	5179-2	3505-2	2012-2	2599-2	3289-2	3729-2	3685-2	3899-2	4944-2	2953-2	2953-2	2450-1	6275+2	6390+2						
	2739+1	1855+1	1064+1	1375+1	1740+1	1973+1	1949+1	2063+1	2616+1											
04	6608+0	6773+0	7320+0	5408+0	5396+0	5427+0	0000	0000	0000	1332+2	1332+2	4406+0	2518-1	4964-1	6315+2					
	4960-2	5084-2	5495-2	4059-2	4051-2	4074-2	0000	0000	0000	3125-2	3125-2	2425-1	6275+2	6390+2						
	2625+1	2689+1	2907+1	2148+1	2143+1	2155+1	0000	0000	0000											
05	0000	7692-1	2711-1	2353-1	2316-1	3372-1	8655-1	3824-1	3991-2	1331+2	1331+2	4402+0	2515-1	4959-1	6315+2					
	0000	5779-3	2037-3	1768-3	1740-3	2534-3	6503-3	2873-3	2999-4	3359-2	3359-2	2438-1	6270+2	6400+2						
	0000	3058+0	1078+0	9354-1	9207-1	1341+0	3441+0	1520+0	1587-1											

PROJ	RUN	GROUP	CONF	MACH	X/D	1	2	3	4	5	6	7	8	9	Po	q	FinF	Re	To	
0626	0003	0048	0001	5000+0	8929+0															
02	6062+0	0000	2716+0	2967+0	3599+0	5315+0	6538+0	6826+0	7114+0	1333+2	4410+0	2520-1	4969-1	6315+2						
	4247-2	0000	2037-2	2225-2	2699-2	3986-2	4903-2	5119-2	5335-2	2781-2	2420-1	6275+2	6400+2							
	2406+1	0000	1078+1	1177+1	1428+1	2109+1	2594+1	2709+1	2823+1											
03	6793+0	4860+0	3040+0	3734+0	4417+0	4956+0	5039+0	5596+0	6625+0	1333+2	4410+0	2520-1	4969-1	6315+2						
	5095-2	3645-2	2280-2	2801-2	3313-2	3717-2	3779-2	4197-2	4969-2	2906-2	2409-1	6270+2	6410+2							
	2696+1	1928+1	1206+1	1482+1	1753+1	1966+1	1999+1	2221+1	2629+1											
04	6587+0	6906+0	6998+0	7456+0	7147+0	5404+0	0000	0000	0000	1333+2	4409+0	2519-1	4968-1	6315+2						
	4941-2	5180-2	5249-2	5593-2	5361-2	4053-2	0000	0000	0000	2938-2	2442-1	6270+2	6410+2							
	2614+1	2741+1	2777+1	2959+1	2836+1	2145+1	0000	0000	0000											
05	0000	7769-1	2719-1	2345-1	2314-1	3372-1	8656-1	3813-1	3805-2	1334+2	4412+0	2521-1	4970-1	6315+2						
	0000	5825-3	2039-3	1758-3	1735-3	2528-3	6489-3	2859-3	2853-4	3406-2	2442-1	6270+2	6410+2							
	0000	3082+0	1079+0	9301-1	9180-1	1338+0	3434+0	1513+0	1509-1											

PROJ	RUN	GROUP	CONF	MACH	X/D	1	2	3	4	5	6	7	8	9	Po	q	FinF	Re	To	
0626	0003	0049	0001	5000+0	1094+1															
02	5659+0	0000	2909+0	3126+0	3691+0	5163+0	6372+0	6791+0	7076+0	1333+2	4408+0	2519-1	4966-1	6315+2						
	4247-2	0000	2183-2	2346-2	2769-2	3874-2	4781-2	5096-2	5309-2	2703-2	2413-1	6270+2	6370+2							
	2247+1	0000	1155+1	1241+1	1466+1	2049+1	2529+1	2696+1	2809+1											
03	6688+0	4959+0	3214+0	3855+0	4417+0	4888+0	5098+0	5753+0	6544+0	1333+2	4409+0	2519-1	4967-1	6315+2						
	5018-2	3720-2	2411-2	2892-2	3314-2	3667-2	3825-2	4316-2	4909-2	2938-2	2447-1	6270+2	6370+2							
	2655+1	1968+1	1276+1	1530+1	1753+1	1940+1	2024+1	2284+1	2598+1											
04	6545+0	6963+0	6902+0	7292+0	6955+0	6806+0	0000	0000	0000	1334+2	4413+0	2522-1	4972-1	6315+2						
	4905-2	5218-2	5173-2	5465-2	5212-2	5101-2	0000	0000	0000	2875-2	2439-1	6270+2	6370+2							
	2595+1	2761+1	2737+1	2891+1	2758+1	2699+1	0000	0000	0000											
05	0000	7723-1	2711-1	2351-1	2306-1	3358-1	8627-1	3816-1	3851-2	1329+2	4399+0	2513-1	4979-1	6295+2						
	0000	5807-3	2038-3	1768-3	1734-3	2525-3	6487-3	2869-3	2896-4	3422-2	2417-1	6260+2	6375+2							
	0000	3073+0	1078+0	9354-1	9177-1	1336+0	3432+0	1518+0	1532-1											



PROJ	RUN	GROUP	CONF	MACH	I/D	1	2	3	4	5	6	7	8	9	Po	q	Pinf	Re	To	
0626	0003	0050	0001	5000+0	1000+0															
02	4259-1	0000	2712-1	3188-1	2649-1	2944-1	4485-1	7632-1	1687+0	3016+1	9976-1	5701-2	1257-1	5860+2						
	1412-2	0000	8992-3	1057-2	8785-3	9759-3	1487-2	2530-2	5592-2	7500-3	4828-2	5750+2	5790+2							
	7472+0	0000	4758+0	5593+0	4648+0	5164+0	7867+0	1339+1	2959+1											
03	7954-1	5934-1	1012-1	9502-2	2266-1	6055-1	6704-1	8223-1	7881-1	3019+1	9984-1	5705-2	1258-1	5860+2						
	2634-2	1966-2	3352-3	3148-3	7507-3	2006-2	2221-2	2724-2	2611-2	7656-3	5219-2	5750+2	5790+2							
	1394+1	1040+1	1773+0	1666+0	3972+0	1061+1	1175+1	1441+1	1381+1											
04	5903-1	5405-1	1149+0	1879+0	1415+0	9827-1	0000	0000	0000	3020+1	9989-1	5708-2	1259-1	5860+2						
	1955-2	1789-2	3806-2	6220-2	4684-2	3254-2	0000	0000	0000	7969-3	5469-2	5750+2	5790+2							
	1034+1	9469+0	2014+1	3294+1	2478+1	1722+1	0000	0000	0000											
05	0000	1938-1	6965-2	6314-2	6742-2	7375-2	1223-1	7897-2	1677-2	3053+1	1009+0	5770-2	1274-1	5855+2						
	0000	6347-3	2281-3	2068-3	2208-3	2416-3	4006-3	2587-3	5494-4	9844-3	5844-2	5750+2	5790+2							
	0000	3358+0	1207+0	1094+0	1168+0	1278+0	2119+0	1369+0	2907-1											

PROJ	RUN	GROUP	CONF	MACH	I/D	1	2	3	4	5	6	7	8	9	Po	q	Pinf	Re	To	
0626	0003	0051	0001	5000+0	1980+0															
02	7272-1	0000	4113-1	4658-1	6234-1	1129+0	7426-1	9106-1	1275+0	3076+1	1018+0	5814-2	1287-1	5845+2						
	2364-2	0000	1337-2	1514-2	2027-2	3673-2	2414-2	2960-2	4146-2	7344-3	5047-2	5855+2	5855+2							
	1251+1	0000	7074+0	8012+0	1072+1	1943+1	1277+1	1566+1	2194+1											
03	6607-1	6223-1	3052-1	3473-1	7896-1	9429-1	5775-1	6123-1	6469-1	3077+1	1018+0	5816-2	1288-1	5845+2						
	2147-2	2022-2	9918-3	1129-2	2566-2	3064-2	1877-2	1989-2	2103-2	7031-3	5328-2	5855+2	5850+2							
	1136+1	1070+1	5248+0	5971+0	1358+1	1621+1	9931+0	1053+1	1112+1											
04	6116-1	5984-1	8296-1	1858+0	1719+0	1303+0	0000	0000	0000	3079+1	1018+0	5819-2	1288-1	5845+2						
	1967-2	1944-2	2695-2	6036-2	5586-2	4232-2	0000	0000	0000	7344-3	5547-2	5850+2	5850+2							
	1051+1	1028+1	1426+1	3193+1	2956+1	2239+1	0000	0000	0000											
05	0000	1935-1	6919-2	6298-2	6835-2	7531-2	1245-1	7974-2	1242-2	3088+1	1021+0	5837-2	1296-1	5835+2						
	0000	6265-3	2240-3	2039-3	2213-3	2439-3	4030-3	2582-3	4023-4	8594-3	5859-2	5840+2	5840+2							
	0000	3315+0	1185+0	1079+0	1171+0	1290+0	2132+0	1366+0	2129-1											

PROJ RUN GROUP CONF MACH X/D  
0626 0003 0052 0001 5000+0 2970+0

	1	2	3	4	5	6	7	8	9	Po	q	Pinf	Re	To
02	1666+0	0000	5467-1	6359-1	8867-1	1411+0	1547+0	9025-1	1126+0	3088+1	1021+0	5837-2	1296-1	5835+2
	5395-2	0000	1770-2	2059-2	2871-2	4570-2	5009-2	2923-2	3647-2	7188-3	4984-2	5745+2	5815+2	
	2854+1	0000	9368+0	1089+1	1519+1	2418+1	2650+1	1546+1	1929+1					
03	5708-1	1038+0	4294-1	5282-1	8321-1	1039+0	9905-1	6938-1	5859-1	3088+1	1021+0	5837-2	1296-1	5835+2
	1848-2	3362-2	1391-2	1710-2	2695-2	3366-2	3208-2	2247-2	1897-2	7344-3	5344-2	5740+2	5815+2	
	9779+0	1779+1	7358+0	9049+0	1425+1	1781+1	1697+1	1189+1	1004+1					
04	5753-1	6269-1	8447-1	1467+0	1651+0	1639+0	0000	0000	0000	3083+1	1019+0	5828-2	1295-1	5830+2
	1866-2	2033-2	2739-2	4759-2	5356-2	5315-2	0000	0000	0000	7656-3	5563-2	5740+2	5810+2	
	9872+0	1076+1	1449+1	2518+1	2834+1	2812+1	0000	0000	0000					
05	0000	1922-1	6796-2	6172-2	6773-2	7469-2	1239-1	7929-2	1491-2	3069+1	1015+0	5799-2	1289-1	5830+2
	0000	6264-3	2215-3	2012-3	2207-3	2434-3	4041-3	2584-3	4859-4	8750-3	5859-2	5735+2	5805+2	
	0000	3314+0	1172+0	1064+0	1168+0	1288+0	2138+0	1367+0	2571-1					

PROJ RUN GROUP CONF MACH X/D  
0626 0003 0053 0001 5000+0 4955+0

	1	2	3	4	5	6	7	8	9	Po	q	Pinf	Re	To
02	1734+0	0000	6980-1	8356-1	1085+0	1509+0	1727+0	1773+0	1763+0	3065+1	1014+0	5794-2	1288-1	5830+2
	5656-2	0000	2277-2	2726-2	3539-2	4922-2	5635-2	5783-2	5751-2	6094-3	4719-2	5615+2	5830+2	
	2992+1	0000	1205+1	1442+1	1873+1	2604+1	2982+1	3060+1	3043+1					
03	9724-1	1096+0	5841-1	6609-1	7992-1	1006+0	1144+0	1104+0	1001+0	3059+1	1012+0	5782-2	1285-1	5830+2
	3179-2	3584-2	1909-2	2160-2	2612-2	3289-2	3739-2	3608-2	3272-2	7344-3	5219-2	5610+2	5830+2	
	1682+1	1896+1	1010+1	1143+1	1382+1	1740+1	1978+1	1909+1	1731+1					
04	1022+0	1254+0	1158+0	1298+0	1291+0	1388+0	0000	0000	0000	3062+1	1013+0	5788-2	1286-1	5830+2
	3338-2	4095-2	3781-2	4240-2	4217-2	4532-2	0000	0000	0000	7500-3	5453-2	5610+2	5830+2	
	1766+1	2166+1	2001+1	2243+1	2231+1	2398+1	0000	0000	0000					
05	0000	1899-1	6919-2	6219-2	6726-2	7422-2	1235-1	7943-2	1599-2	3057+1	1011+0	5777-2	1286-1	5825+2
	0000	6211-3	2263-3	2035-3	2200-3	2428-3	4041-3	2599-3	5233-4	8438-3	5828-2	5605+2	5830+2	
	0000	3286+0	1198+0	1077+0	1164+0	1285+0	2138+0	1375+0	2769-1					

PROJ RUN GROUP COMP MACH X/D  
0626 0003 0054 0001 5000+0 6939+0

	1	2	3	4	5	6	7	8	9	Po	q	Pinf	Re	To
02	1664+0	0000	7665-1	9116-1	1142+0	1476+0	1664+0	1732+0	1795+0	3056+1	1011+0	5776-2	1284-1	5830+2
	5444-2	0000	2508-2	2983-2	3737-2	4829-2	5446-2	5668-2	5883-2	6250-3	5000-2	5595+2	5855+2	
	2880+1	0000	1327+1	1578+1	1977+1	2555+1	2881+1	2999+1	3112+1					
03	1133+0	1075+0	6774-1	7446-1	8288-1	9671-1	1131+0	1176+0	1138+0	3057+1	1011+0	5777-2	1284-1	5830+2
	3706-2	3516-2	2216-2	2436-2	2711-2	3164-2	3698-2	3849-2	3722-2	6719-3	5500-2	5595+2	5855+2	
	1961+1	1860+1	1173+1	1289+1	1435+1	1674+1	1957+1	2036+1	1969+1					
04	1173+0	1474+0	1681+0	1595+0	1255+0	1280+0	0000	0000	0000	3054+1	1010+0	5773-2	1283-1	5830+2
	3842-2	4825-2	5503-2	5221-2	4108-2	4192-2	0000	0000	0000	7344-3	5688-2	5600+2	5855+2	
	2033+1	2553+1	2911+1	2762+1	2174+1	2218+1	0000	0000	0000					
05	0000	1899-1	6888-2	6219-2	6788-2	7375-2	1232-1	7881-2	1615-2	3052+1	1009+0	5769-2	1281-1	5835+2
	0000	6221-3	2257-3	2038-3	2224-3	2416-3	4037-3	2582-3	5292-4	8281-3	6078-2	5600+2	5860+2	
	0000	3291+0	1194+0	1078+0	1177+0	1278+0	2136+0	1366+0	2799-1					

PROJ RUN GROUP COMP MACH X/D  
0626 0003 0055 0001 5000+0 8929+0

	1	2	3	4	5	6	7	8	9	Po	q	Pinf	Re	To
02	1667+0	0000	8181-1	9716-1	1198+0	1489+0	1662+0	1723+0	1748+0	3051+1	1009+0	5767-2	1279-1	5840+2
	5465-2	0000	2681-2	3184-2	3926-2	4881-2	5447-2	5646-2	5729-2	5313-3	1006-1	5610+2	5885+2	
	2891+1	0000	1419+1	1685+1	2077+1	2582+1	2882+1	2987+1	3031+1					
03	1169+0	1046+0	7429-1	8167-1	8779-1	9710-1	1092+0	1153+0	1157+0	3054+1	1010+0	5773-2	1279-1	5840+2
	3826-2	3425-2	2432-2	2674-2	2874-2	3179-2	3574-2	3775-2	3789-2	5625-3	1050-1	5610+2	5890+2	
	2025+1	1812+1	1287+1	1415+1	1521+1	1682+1	1891+1	1997+1	2005+1					
04	1210+0	1439+0	1684+0	1668+0	1658+0	1546+0	0000	0000	0000	3057+1	1011+0	5777-2	1281-1	5840+2
	3959-2	4706-2	5508-2	5457-2	5423-2	5058-2	0000	0000	0000	6250-3	1066-1	5615+2	5880+2	
	2094+1	2490+1	2915+1	2888+1	2869+1	2676+1	0000	0000	0000					
05	0000	1928-1	6980-2	6204-2	6773-2	7438-2	1232-1	7881-2	1553-2	3054+1	1010+0	5773-2	1278-1	5845+2
	0000	6313-3	2285-3	2031-3	2217-3	2435-3	4034-3	2580-3	5084-4	7188-3	1070-1	5620+2	5890+2	
	0000	3340+0	1209+0	1075+0	1173+0	1288+0	2134+0	1365+0	2690-1					

PROJ RUN GROUP CONF MACH X/D  
0626 0003 0056 0001 5000+0 1094+1

	1	2	3	4	5	6	7	8	9	Po	q	Pinf	Re	To
02	1634+0	0000	8452-1	9936-1	1203+0	1464+0	1629+0	1708+0	1775+0	3065+1	1014+0	5794-2	1281-1	5850+2
	5330-2	0000	2757-2	3241-2	3923-2	4774-2	5315-2	5572-2	5791-2	6563-3	1081-1	5625+2	5900+2	
	2820+1	0000	1459+1	1715+1	2076+1	2526+1	2812+1	2948+1	3064+1					
03	1198+0	1048+0	7729-1	8619-1	9230-1	9889-1	1082+0	1139+0	1181+0	3064+1	1013+0	5791-2	1281-1	5850+2
	3909-2	3421-2	2523-2	2813-2	3013-2	3228-2	3533-2	3717-2	3853-2	7188-3	1103-1	5625+2	5900+2	
	2068+1	1810+1	1335+1	1488+1	1594+1	1708+1	1869+1	1967+1	2039+1					
04	1257+0	1447+0	1683+0	1638+0	1640+0	1579+0	0000	0000	0000	3066+1	1014+0	5795-2	1282-1	5850+2
	4099-2	4719-2	5489-2	5341-2	5350-2	5149-2	0000	0000	0000	7188-3	1109-1	5625+2	5900+2	
	2169+1	2497+1	2904+1	2826+1	2831+1	2724+1	0000	0000	0000					
05	0000	1921-1	6980-2	6235-2	6773-2	7484-2	1245-1	7866-2	1631-2	3073+1	1016+0	5808-2	1284-1	5850+2
	0000	6249-3	2271-3	2029-3	2204-3	2435-3	4049-3	2559-3	5306-4	8125-3	1122-1	5625+2	5900+2	
	0000	3306+0	1202+0	1073+0	1166+0	1289+0	2143+0	1354+0	2807-1					

PROJ RUN GROUP CONF MACH X/D  
0626 0004 0057 0002 5000+0 9660-1

	1	2	3	4	5	6	7	8	y	Po	q	Pinf	Re	To
02	5289-1	0000	2810-1	3577-1	2798-1	3134-1	4596-1	7572-1	1694+0	3012+1	9961-1	5692-2	1252-1	5870+2
	1757-2	0000	9331-3	1188-2	9290-3	1041-2	1526-2	2514-2	5626-2	5313-3	5328-2	5725+2	5795+2	
	9294+0	0000	4937+0	6284+0	4915+0	5505+0	8075+0	1330+1	2976+1					
03	7780-1	6203-1	9157-2	1013-1	2043-1	6261-1	6675-1	8256-1	7952-1	3007+1	9945-1	5683-2	1250-1	5870+2
	2588-2	2063-2	3045-3	3362-3	6794-3	2082-2	2219-2	2746-2	2645-2	6094+3	5563-2	5725+2	5795+2	
	1369+1	1091+1	1611+0	1782+0	3595+0	1102+1	1175+1	1453+1	1399+1					
04	6162-1	5261-1	1161+0	2043+0	1440+0	1022+0	0000	0000	0000	3020+1	9989-1	5708-2	1256-1	5870+2
	2040-2	1742-2	3843-2	6764-2	4768-2	3384-2	0000	0000	0000	5625-3	5672-2	5730+2	5795+2	
	1079+1	9217+0	2033+1	3579+1	2523+1	1790+1	0000	0000	0000					
05	0000	2045-1	7387-2	6509-2	7252-2	7772-2	1378-1	8223-2	0000	3057+1	1011+0	5777-2	1271-1	5870+2
	0000	6689-3	2417-3	2129-3	2372-3	2542-3	4508-3	2689-3	0000	7031-3	5828-2	5730+2	5800+2	
	0000	3539+0	1279+0	1127+0	1255+0	1345+0	2385+0	1423+0	0000					

PROJ RUN GROUP CONF MACH X/D  
0626 0004 0058 0002 5000+0 1946+0

	1	2	3	4	5	6	7	8	9	Po	q	Pinf	Re	To
02	7704-1	0000	4237-1	4948-1	6687-1	1183+0	7444-1	8958-1	1260+0	3026+1	1001+0	5718-2	1263-1	5555+2
	2546-2	0000	1400-2	1635-2	2209-2	3912-2	2460-2	2961-2	4165-2	5156-3	5094-2	5905+2	5820+2	
	1347+1	0000	7409+0	8653+0	1169+1	2069+1	1302+1	1566+1	2204+1					
03	6554-1	6054-1	2970-1	3604-1	8040-1	9190-1	5508-1	5923-1	6311-1	3015+1	9974-1	5699-2	1260-1	5850+2
	2173-2	2008-2	9849-3	1195-2	2666-2	3048-2	1826-2	1964-2	2093-2	5313-3	5578-2	5900+2	5815+2	
	1149+1	1062+1	5212+0	6323+0	1411+1	1613+1	9664+0	1039+1	1107+1					
04	6147-1	5996-1	8007-1	1776+0	1670+0	1329+0	0000	0000	0000	3021+1	9992-1	5709-2	1263-1	5850+2
	2035-2	1985-2	2651-2	5879-2	5528-2	4401-2	0000	0000	0000	5469-3	5703-2	5900+2	5810+2	
	1077+1	1050+1	1402+1	3111+1	2925+1	2328+1	0000	0000	0000					
05	0000	1993-1	7109-2	6305-2	7065-2	7568-2	1321-1	7973-2	0000	3014+1	9969-1	5696-2	1263-1	5840+2
	0000	6612-3	2359-3	2092-3	2344-3	2511-3	4382-3	2645-3	0000	6719-3	5813-2	5895+2	5805+2	
	0000	3498+0	1248+0	1107+0	1240+0	1329+0	2319+0	1395+0	0000					

PROJ RUN GROUP CONF MACH X/D  
0626 0004 0059 0002 5000+0 4711-1

	1	2	3	4	5	6	7	8	9	Po	q	Pinf	Re	To
02	4062-1	0000	1629-1	4575-2	4673-2	4863-2	2249-1	4541-1	2418+0	3051+1	1009+0	5767-2	1285-1	5820+2
	1331-2	0000	5341-3	1499-3	1532-3	1594-3	7371-3	1488-2	7923-2	5094-2	5813-2	5685+2	5640+2	
	7043+0	0000	2826+0	7934-1	8104-1	8433-1	3900+0	7873+0	4192+1					
03	8155-1	1529-1	5540-2	4339-2	5799-2	8882-2	3509-1	1398+0	9489-1	3057+1	1011+0	5777-2	1288-1	5820+2
	2668-2	5005-3	1812-3	1419-3	1897-3	2906-3	1148-2	4572-2	3104-2	5034-2	5844-2	5685+2	5645+2	
	1412+1	2648+0	9589-1	7511-1	1004+0	1537+0	6075+0	2419+1	1643+1					
04	4680-1	9810-1	1761+0	1485+0	1267+0	7293-1	0000	0000	0000	3064+1	1013+0	5791-2	1290-1	5820+2
	1528-2	3202-2	5748-2	4848-2	4135-2	2382-2	0000	0000	0000	5109-2	5906-2	5685+2	5645+2	
	8083+0	1694+1	3041+1	2565+1	2188+1	1261+1	0000	0000	0000					
05	0000	1987-1	7371-2	6384-2	7065-2	7568-2	1336-1	8316-2	0000	3012+1	9963-1	5693-2	1270-1	5815+2
	0000	6595-3	2447-3	2119-3	2345-3	2512-3	4436-3	2761-3	0000	5203-2	5828-2	5680+2	5640+2	
	0000	3489+0	1295+0	1121+0	1241+0	1329+0	2347+0	1461+0	0000					

PROJ RUN GROUP CONF MACH X/D  
0626 0004 0060 0002 5000+0 4711-1

PROJ	RUN	GROUP	CONF	MACH	X/D	1	2	3	4	5	6	7	8	9	Po	q	Pinf	Re	To
02	5869+0	0000	3406-1	2934-1	2904-1	1839-1	2680-1	3045+0	8238+0	1333+2	4409+0	2519-1	4975-1	6305+2					
	4403-2	0000	2555-3	2201-3	2178-3	1379-3	2010-3	2284-2	6179-2	2836-1	2414-1	5855+2	5865+2						
	2329+1	0000	1352+0	1164+0	1153+0	7298-1	1064+0	1208+1	3269+1										
03	7179+0	3016-1	3101-1	3036-1	2946-1	3015-1	3563+0	5990+0	9731+0	1333+2	4409+0	2519-1	4979-1	6305+2					
	5386-2	2262-3	2326-3	2277-3	2210-3	2261-3	2672-2	4493-2	7299-2	2853-1	2450-1	5850+2	5860+2						
	2849+1	1197+0	1231+0	1205+0	1169+0	1197+0	1414+1	2377+1	3862+1										
04	7044+0	6803+0	7008+0	7829+0	6208+0	3063+0	0000	0000	0000	1332+2	4407+0	2518-1	4977-1	6305+2					
	5287-2	5105-2	5259-2	5875-2	4659-2	2299-2	0000	0000	0000	2864-1	2439-1	5845+2	5860+2						
	2797+1	2701+1	2783+1	3109+1	2465+1	1216+1	0000	0000	0000										
05	0000	7923-1	2907-1	2461-1	2495-1	3451-1	9793-1	3902-1	0000	1328+2	4392+0	2509-1	4949-1	6315+2					
	0000	5966-3	2189-3	1853-3	1878-3	2599-3	7374-3	2939-3	0000	2838-1	2417-1	5845+2	5860+2						
	0000	3157+0	1158+0	9804-1	9939-1	1375+0	3902+0	1555+0	0000										

Probe Ran into Model

PROJ RUN GROUP CONF MACH X/D  
0626 0004 0061 0002 5000+0 4711-1

PROJ	RUN	GROUP	CONF	MACH	X/D	1	2	3	4	5	6	7	8	9	Po	q	Pinf	Re	To
02	5684+0	0000	3386-1	2693-1	2868-1	1339-1	1975-1	3089+0	8219+0	1325+2	4393+0	2510-1	4967-1	6300+2					
	4279-2	0000	2549-3	2178-3	2159-3	1008-3	1487-3	2326-2	6459-2	2833-1	2429-1	5850+2	5860+2						
	2264+1	0000	1349+0	1152+0	1143+0	5332-1	7867-1	1231+1	3274+1										
03	7194+0	301A-1	3099-1	3050-1	3015-1	3037-1	3374+0	5943+0	9734+0	1334+2	4411+0	2521-1	4987-1	6300+2					
	5394-2	2260-3	2324-3	2287-3	2261-3	2277-3	2530-2	4456-2	7299-2	2833-1	2431-1	5845+2	5860+2						
	2854+1	1196+0	1229+0	1210+0	1196+0	1205+0	1339+1	2358+1	3862+1										
04	6999+0	6784+0	6969+0	7795+0	6124+0	3047+0	0000	0000	0000	1331+2	4402+0	2516-1	4972-1	6305+2					
	5259-2	5097-2	5236-2	5857-2	4601-2	2289-2	0000	0000	0000	2845-1	2408-1	5845+2	5860+2						
	2782+1	2697+1	2770+1	3099+1	2434+1	1211+1	0000	0000	0000										
05	0000	7798-1	2785-1	2417-1	2384-1	3404-1	8951-1	3905-1	5879-2	1343+2	4444+0	2539-1	5024-1	6300+2					
	0000	5804-3	2073-3	1799-3	1774-3	2534-3	6663-3	2907-3	4376-4	1128-1	2470-1	6295+2	6315+2						
	0000	3071+0	1097+0	9518-1	9387-1	1341+0	3525+0	1538+0	2315-1										

PROJ	RUN	GROUP	CONF	MACH	X/D	1	2	3	4	5	6	7	8	9	Po	q	Pinf	Re	To	
0626	0005	0061	0002	5030+0	5051-1															
02	1793+0	0000	2051-1	2096-1	2089-1	2131-1	1057+0	3198+0	1009+1	1322+2	4374+0	2499-1	4916-1	6325+2						
	1356-2	0000	1551-3	1585-3	1580-3	1612-3	7991-3	2418-2	7633-2	2347-1	2427-1	5820+2	5830+2							
	7173+0	0000	8208-1	8386-1	8361-1	8528-1	4228+0	1279+1	4039+1											
03	4629+0	6926-1	2041-1	2079-1	2098-1	2399-1	2006+0	5448+0	4315+0	1326+2	4385+0	2506-1	4935-1	6320+2						
	3491-2	5224-3	1539-3	1568-3	1582-3	1809-3	1513-2	4109-2	3254-2	2331-1	2433-1	5820+2	5830+2							
	1847+1	2764+0	81A3-1	8295-1	8370-1	9572-1	8005+0	2174+1	1722+1											
04	5888+0	9557+0	5838+0	7150+0	6124+0	4915+0	0000	0000	0000	1327+2	4388+0	2507-1	4938-1	6320+2						
	4438-2	7204-2	4401-2	5390-2	4617-2	3705-2	0000	0000	0000	2328-1	2473-1	5815+2	5830+2							
	2348+1	3812+1	2329+1	2852+1	2443+1	1960+1	0000	0000	0000											
05	0000	7782-1	2742-1	2388-1	2360-1	3382-1	8772-1	3887-1	2476-1	1334+2	4413+0	2522-1	4972-1	6315+2						
	0000	5833-3	2055-3	1789-3	1769-3	2535-3	6574-3	2913-3	1856-3	2363-1	2427-1	5810+2	5830+2							
	0000	3086+0	1087+0	9471-1	9359-1	1341+0	3478+0	1541+0	9818-1											
0626	0005	0062	0002	5000+0	1000+0															
02	1651+0	0000	1317+0	9371-1	9894-1	1038+0	1524+0	3044+0	7250+0	1321+2	4371+0	2498-1	4918-1	6320+2						
	1249-2	0000	9966-3	7092-3	7488-3	7858-3	1153-2	2303-2	5487-2	9359-2	2461-1	6415+2	6155+2							
	6609+0	0000	5273+0	3752+0	3962+0	4158+0	6101+0	1219+1	2903+1											
03	3617+0	2000+0	3715-1	1213+0	1513+0	1845+0	2622+0	3234+0	3283+0	1322+2	4374+0	2499-1	4916-1	6325+2						
	2736-2	1513-2	2809-3	9175-3	1144-2	1395-2	1983-2	2446-2	2482-2	6234-2	2342-1	6430+2	6160+2							
	1447+1	8003+0	1486+0	4854+0	6055+0	7382+0	1049+1	1294+1	1313+1											
04	4058+0	7183+0	8120+0	6976+0	6246+0	5869+0	0000	0000	0000	1321+2	4369+0	2497-1	4906-1	6330+2						
	3071-2	5437-2	6146-2	5280-2	4728-2	4443-2	0000	0000	0000	5266-2	2403-1	6430+2	6165+2							
	1625+1	2877+1	3252+1	2794+1	2501+1	2351+1	0000	0000	0000											
05	0000	7774-1	2732-1	2368-1	2341-1	3360-1	8694-1	3857-1	4090-2	1329+2	4395+0	2512-1	4935-1	6330+2						
	0000	5850-3	2056-3	1782-3	1762-3	2529-3	6542-3	2902-3	3078-4	4078-2	2444-1	6435+2	6160+2							
	0000	3095+0	1088+0	9428-1	9322-1	1338+0	3462+0	1536+0	1628-1											

PROJ RUN GROUP CONF MACH X/D  
0626 0005 0063 0002 5000+0 1985+0

	1	2	3	4	5	6	7	8	9	Po	q	Pinf	Re	To
02	3209+0	0000	1790+0	2170+0	2871+0	2320+0	3095+0	3741+0	5152+0	1338+2	4424+0	2528-1	4991-1	6310+2
	2399-2	0000	1338-2	1622-2	2146-2	1735-2	2314-2	2797-2	3674-2	3234-2	2442-1	6630+2	6440+2	
	1269+1	0000	7082+0	8584+0	1136+1	9178+0	1224+1	1479+1	2049+1					
03	3138+0	2163+0	1348+0	2523+0	4916+0	2496+0	2428+0	2467+0	2627+0	1338+2	4426+0	2529-1	4992-1	6310+2
	2345-2	1617-2	1007-2	1886-2	3674-2	1865-2	1815-2	1844-2	1963-2	3109-2	2425-1	6630+2	6440+2	
	1241+1	8553+0	5329+0	9978+0	1944+1	9868+0	9602+0	9755+0	1039+1					
04	3453+0	4943+0	5997+0	9303+0	6169+0	6000+0	0000	0000	0000	1336+2	4419+0	2525-1	4984-1	6310+2
	2584-2	3699-2	4489-2	6963-2	4617-2	4491-2	0000	0000	0000	3344-2	2447-1	6630+2	6435+2	
	1367+1	1958+1	2375+1	3684+1	2443+1	2376+1	0000	0000	0000					
05	0000	7751-1	2719-1	2352-1	2337-1	3340-1	8609-1	3826-1	3655-2	1333+2	4410+0	2520-1	4981-1	6305+2
	0000	5813-3	2039-3	1764-3	1752-3	2505-3	6456-3	2869-3	2741-4	3625-2	2391-1	6620+2	6430+2	
	0000	3076+0	1079+0	9334-1	9272-1	1325+0	3416+0	1518+0	1450-1					

PROJ RUN GROUP CONF MACH X/D  
0626 0005 0064 0002 5000+0 2970+0

	1	2	3	4	5	6	7	8	9	Po	q	Pinf	Re	To
02	5069+0	0000	2007+0	2375+0	2996+0	5965+0	7087+0	3779+0	4500+0	1328+2	4392+0	2509-1	4966-1	6300+2
	3818-2	0000	1511-2	1788-2	2256-2	4492-2	5337-2	2846-2	3389-2	3078-2	2416-1	6590+2	6265+2	
	2019+1	0000	7995+0	9462+0	1194+1	2377+1	2824+1	1506+1	1793+1					
03	3643+0	3754+0	1880+0	3114+0	5061+0	4535+0	3632+0	2448+0	2962+0	1328+2	4392+0	2509-1	4966-1	6300+2
	2743-2	2827-2	1416-2	2345-2	3811-2	3415-2	2735-2	1844-2	2230-2	3344-2	2431-1	6590+2	6265+2	
	1451+1	1496+1	7492+0	1241+1	2016+1	1807+1	1447+1	5754+0	1160+1					
04	3846+0	4579+0	5154+0	6385+0	7609+0	7831+0	0000	0000	0000	1328+2	4391+0	2509-1	4959-1	6305+2
	2897-2	3449-2	3883-2	4809-2	5732-2	5899-2	0000	0000	0000	3516-2	2431-1	6590+2	6265+2	
	1533+1	1825+1	2054+1	2545+1	3033+1	3121+1	0000	0000	0000					
05	0000	7735-1	2724-1	2352-1	2334-1	3342-1	8624-1	3855-1	3639-2	1333+2	4410+0	2520-1	4981-1	6305+2
	0000	5801-3	2043-3	1764-3	1750-3	2506-3	6468-3	2889-3	2729-4	3484-2	2416-1	6595+2	6270+2	
	0000	3069+0	1081+0	9334-1	9259-1	1326+0	3422+0	1529+0	1444-1					



PROJ	RUN	GROUP	CONF	MACH	X/D	1	2	3	4	5	6	7	8	9	Po	q	Pinf	Re	To	
0626	0005	0065	0002	5000+0	4949+0															
02	6981+0	0000	2176+0	2475+0	3044+0	5142+0	6823+0	7204+0	7481+0	1344+2	4445+0	2540-1	5014-1	6310+2						
	5194-2	0000	1619-2	1842-2	2265-2	3826-2	5077-2	5361-2	5567-2	3047-2	2408-1	6410+2	6265+2							
	2748+1	0000	8567+0	9744+0	1198+1	2024+1	2686+1	2836+1	2945+1											
03	6870+0	4562+0	2448+0	3425+0	4731+0	5116+0	4840+0	5199+0	6696+0	1346+2	4451+0	2544-1	5021-1	6310+2						
	5105-2	3390-2	1819-2	2545-2	3515-2	3801-2	3597-2	3863-2	4976-2	3297-2	2448-1	6415+2	6265+2							
	2701+1	1794+1	9623+0	1346+1	1860+1	2011+1	1903+1	2044+1	2633+1											
04	6465+0	4431+0	5012+0	5765+0	6070+0	6133+0	0000	0000	0000	1346+2	4453+0	2544-1	5023-1	6310+2						
	4802-2	3291-2	3723-2	4283-2	4509-2	4556-2	0000	0000	0000	3422-2	2448-1	6415+2	6265+2							
	2541+1	1741+1	1969+1	2266+1	2386+1	2410+1	0000	0000	0000											
05	0000	7891-1	2762-1	2387-1	2374-1	3367-1	8783-1	3901-1	3670-2	1355+2	4482+0	2561-1	5055-1	6310+2						
	0000	5824-3	2039-3	1762-3	1752-3	2485-3	6482-3	2879-3	2709-4	3641-2	2445-1	6425+2	6260+2							
	0000	3082+0	1079+0	9320-1	9271-1	1315+0	3429+0	1523+0	1433-1											
PROJ	RUN	GROUP	CONF	MACH	X/D															
0626	0005	0066	0002	5000+0	6939+0															
02	6615+0	0000	2421+0	2569+0	3113+0	4822+0	6540+0	6873+0	7101+0	1324+2	4381+0	2503-1	4936-1	6315+2						
	4994-2	0000	1828-2	1955-2	2352-2	3641-2	4938-2	5189-2	5361-2	3344-2	2378-1	6380+2	6385+2							
	2642+1	0000	9673+0	1034+1	1244+1	1926+1	2613+1	2746+1	2837+1											
03	6769+0	4506+0	2883+0	3699+0	4599+0	5002+0	4899+0	5255+0	6409+0	1325+2	4384+0	2505-1	4945-1	6310+2						
	5108-2	3399-2	2175-2	2791-2	3470-2	3774-2	3696-2	3965-2	4835-2	3516-2	2406-1	6375+2	6385+2							
	2702+1	1799+1	1151+1	1477+1	1836+1	1997+1	1956+1	2098+1	2558+1											
04	6493+0	6680+0	7181+0	5346+0	5354+0	5338+0	0000	0000	0000	1324+2	4378+0	2502-1	4933-1	6315+2						
	4905-2	5047-2	5425-2	4039-2	4044-2	4032-2	0000	0000	0000	3516-2	2398-1	6380+2	6385+2							
	2595+1	2670+1	2870+1	2137+1	2139+1	2133+1	0000	0000	0000											
05	0000	7806-1	2696-1	2343-1	2313-1	3307-1	8565-1	3812-1	3655-2	1327+2	4389+0	2508-1	4945-1	6315+2						
	0000	5882-3	2032-3	1765-3	1743-3	2492-3	6454-3	2872-3	2754-4	3750-2	2409-1	6380+2	6390+2							
	0000	3112+0	1075+0	9341-1	9223-1	1319+0	3415+0	1519+0	1457-1											

PROJ	RUN	GROUP	CONF	NACH	X/D	1	2	3	4	5	6	7	8	9	Po	q	Pinf	Re	To	
0626	0005	0067	0002	5000+0	8934+0															
02	6404+0	0000	2799+0	2622+0	3254+0	4708+0	6369+0	6826+0	7079+0	1330+2	4395+0	2514-1	4957-1	6315+2						
	4815-2	0000	2104-2	2122-2	2447-2	3539-2	4789-2	5132-2	5323-2	3563-2	2405-1	6350+2	6400+2							
	2547+1	0000	1113+1	1123+1	1295+1	1873+1	2534+1	2715+1	2816+1											
03	6699+0	5330+0	3299+0	4008+0	4701+0	5076+0	5076+0	5612+0	6514+0	1332+2	4407+0	2518-1	4965-1	6315+2						
	5028-2	4000-2	2476-2	3008-2	3528-2	3809-2	3809-2	4212-2	4889-2	3297-2	2383-1	6350+2	6400+2							
	2660+1	2117+1	1310+1	1592+1	1867+1	2016+1	2016+1	2229+1	2587+1											
04	6538+0	6922+0	6952+0	7428+0	7115+0	5331+0	0000	0000	0000	1334+2	4411+0	2521-1	4969-1	6315+2						
	4902-2	5191-2	5213-2	5570-2	5335-2	3997-2	0000	0000	0000	3750-2	2427-1	6350+2	6400+2							
	2594+1	2746+1	2758+1	2947+1	2823+1	2115+1	0000	0000	0000											
05	0000	7743-1	2715-1	2351-1	2330-1	3331-1	8625-1	3837-1	3764-2	1333+2	4409+0	2519-1	4967-1	6315+2						
	0000	5809-3	2037-3	1764-3	1748-3	2499-3	6471-3	2879-3	2824-4	3672-2	2389-1	6350+2	6400+2							
	0000	3074+0	1078+0	9331-1	9251-1	1322+0	3424+0	1523+0	1494-1											
PROJ	RUN	GROUP	CONF	NACH	X/D															
0626	0005	0068	0002	5000+0	1094+1															
02	5994+0	0000	3074+0	3027+0	3378+0	4609+0	6199+0	6769+0	7054+0	1329+2	4399+0	2513-1	4949-1	6320+2						
	4507-2	0000	2312-2	2276-2	2540-2	3466-2	4661-2	5091-2	5304-2	3484-2	2431-1	6320+2	6390+2							
	2385+1	0000	1223+1	1204+1	1344+1	1834+1	2466+1	2693+1	2806+1											
03	6629+0	4877+0	3506+0	4117+0	4715+0	5055+0	5144+0	5814+0	6442+0	1330+2	4399+0	2514-1	4951-1	6320+2						
	4984-2	3667-2	2636-2	3095-2	3545-2	3801-2	3668-2	4371-2	4843-2	3359-2	2452-1	6320+2	6390+2							
	2637+1	1940+1	1395+1	1638+1	1876+1	2011+1	2046+1	2313+1	2562+1											
04	6481+0	6925+0	6849+0	7242+0	6913+0	6728+0	0000	0000	0000	1330+2	4399+0	2514-1	4951-1	6320+2						
	4873-2	5206-2	5149-2	5445-2	5198-2	5058-2	0000	0000	0000	3438-2	2463-1	6320+2	6390+2							
	2578+1	2755+1	2725+1	2881+1	2750+1	2676+1	0000	0000	0000											
05	0000	7689-1	2702-1	2341-1	2313-1	3306-1	8571-1	3821-1	3795-2	1327+2	4389+0	2508-1	4939-1	6320+2						
	0000	5794-3	2036-3	1764-3	1743-3	2491-3	6459-3	2879-3	2859-4	3484-2	2406-1	6320+2	6390+2							
	0000	3066+0	1077+0	9334-1	9223-1	1318+0	3417+0	1524+0	1513-1											

PROJ	RUN	GROUP	CONF	MACH	X/D	1	2	3	4	5	6	7	8	9	Po	q	Pinf	Re	To	
0626	0005	0069	0002	5000+0	1000+0															
02	4992-1	0000	2504-1	3369-1	2701-1	2916-1	4449-1	7722-1	1708+0	3081+1	1019+0	5823-2	1283-1	5865+2						
	1620-2	0000	8127-3	1100-2	2766-3	9465-3	1444-2	2506-2	5544-2	5781-3	4906-2	5690+2	5810+2							
	8573+0	0000	4295+0	5822+0	4638+0	5008+0	7640+0	1326+1	2933+1											
03	8023-1	5815-1	8987-2	9308-2	2776-1	5848-1	6701-1	8107-1	7866-1	3065+1	1014+0	5794-2	1278-1	5860+2						
	2617-2	1897-2	2932-3	3037-3	9055-3	1908-2	2186-2	2645-2	2566-2	7031-3	5563-2	5685+2	5905+2							
	1385+1	1004+1	1551+0	1607+0	4791+0	1009+1	1157+1	1399+1	1358+1											
04	6039-1	5547-1	1147+0	1915+0	1403+0	9729-1	0000	0000	0000	3049+1	1009+0	5764-2	1273-1	5855+2						
	1979-2	1819-2	3760-2	6280-2	4602-2	3189-2	0000	0000	0000	7344-3	5672-2	5680+2	5800+2							
	1048+1	9623+0	1989+1	3323+1	2435+1	1688+1	0000	0000	0000											
05	0000	1903-1	6894-2	6336-2	6971-2	7568-2	1249-1	7911-2	1244-2	3075+1	1017+0	5811-2	1285-1	5850+2						
	0000	6190-3	2242-3	2061-3	2267-3	2461-3	4063-3	2573-3	4046-4	8438-3	5766-2	5680+2	5780+2							
	0000	3275+0	1166+0	1090+0	1199+0	1302+0	2149+0	1361+0	2141-1											

PROJ	RUN	GROUP	CONF	MACH	X/D	1	2	3	4	5	6	7	8	9	Po	q	Pinf	Re	To	
0626	0005	0070	0002	5000+0	1980+0															
02	7550-1	0000	3869-1	4785-1	6277-1	1115+0	7269-1	9011-1	1264+0	3047+1	1008+0	5758-2	1275-1	5845+2						
	2478-2	0000	1269-2	1570-2	2060-2	3659-2	2386-2	2958-2	4149-2	7656-3	5781-2	5885+2	5830+2							
	1311+1	0000	6719+0	8309+0	1090+1	1936+1	1262+1	1565+1	2195+1											
03	6557-1	6984-1	2962-1	3747-1	7862-1	9049-1	5644-1	5995-1	6355-1	3041+1	1006+0	5748-2	1273-1	5845+2						
	2156-2	2297-2	9741-3	1232-2	2585-2	2976-2	1856-2	1971-2	2083-2	7656-3	5781-2	5885+2	5830+2							
	1441+1	1215+1	5154+0	6519+0	1368+1	1574+1	9819+0	1043+1	1106+1											
04	6062-1	5879-1	7935-1	1766+0	1665+0	1270+0	0000	0000	0000	3042+1	1006+0	5749-2	1273-1	5845+2						
	1993-2	1933-2	2608-2	5805-2	5475-2	4175-2	0000	0000	0000	7969-3	5766-2	5885+2	5830+2							
	1054+1	1023+1	1380+1	3072+1	2897+1	2209+1	0000	0000	0000											
05	0000	1863-1	6648-2	6195-2	6752-2	7381-2	1219-1	7786-2	1182-2	3038+1	1005+0	5742-2	1271-1	5845+2						
	0000	6131-3	2188-3	2039-3	2222-3	2429-3	4016-3	2563-3	3890-4	7969-3	5781-2	5885+2	5820+2							
	0000	3244+0	1158+0	1079+0	1176+0	1285+0	2125+0	1356+0	2055-1											

PROJ RUN GROUP CONF MACH X/D  
0626 0005 0071 0002 5000+0 2970+0

	1	2	3	4	5	6	7	8	9	Po	q	Pinf	Re	To
02	1535+0	0000	5063-1	6368-1	8762-1	1350+0	1541+0	8878-1	1108+0	3051+1	1009+0	5766-2	1277-1	5845+2
	5032-2	0000	1659-2	2087-2	2872-2	4427-2	5051-2	2910-2	3634-2	7656-3	5813-2	5920+2	5795+2	
	2662+1	0000	8782+0	1104+1	1519+1	2342+1	2673+1	1539+1	1923+1					
03	5727-1	1035+0	4561-1	5819-1	8451-1	1021+0	9614-1	6801-1	5799-1	3058+1	1011+0	5779-2	1279-1	5845+2
	1873-2	3384-2	1492-2	1903-2	2764-2	3339-2	3144-2	2224-2	1897-2	7656-3	5797-2	5920+2	5795+2	
	9909+0	1791+1	7893+0	1007+1	1462+1	1767+1	1664+1	1177+1	1064+1					
04	5675-1	6094-1	8055-1	1398+0	1637+0	1609+0	0000	0000	0000	3062+1	1013+0	5786-2	1281-1	5845+2
	1854-2	1991-2	2631-2	4566-2	5345-2	5257-2	0000	0000	0000	7969-3	5781-2	5920+2	5795+2	
	9808+0	1053+1	1392+1	2416+1	2828+1	2781+1	0000	0000	0000					
05	0000	1879-1	6571-2	6242-2	6752-2	7475-2	1235-1	7879-2	1182-2	3067+1	1014+0	5797-2	1284-1	5845+2
	0000	6129-3	2143-3	2035-3	2202-3	2437-3	4028-3	2569-3	3854-4	8281-3	5797-2	5925+2	5790+2	
	0000	3243+0	1134+0	1077+0	1165+0	1289+0	2131+0	1359+0	2039-1					

PROJ RUN GROUP CONF MACH X/D  
0626 0005 0072 0002 5000+0 4955+0

	1	2	3	4	5	6	7	8	9	Po	q	Pinf	Re	To
02	1772+0	0000	6693-1	8289-1	1091+0	1489+0	1729+0	1799+0	1766+0	3075+1	1017+0	5811-2	1287-1	5845+2
	5762-2	0000	2177-2	2696-2	3547-2	4844-2	5622-2	5850-2	5745-2	6875-3	5891-2	5815+2	5805+2	
	3048+1	0000	1152+1	1426+1	1877+1	2563+1	2975+1	3095+1	3033+1					
03	9829-1	1123+0	6533-1	7409-1	8725-1	1038+0	1147+0	1106+0	1001+0	3073+1	1016+0	5808-2	1288-1	5840+2
	3199-2	3654-2	2126-2	2411-2	2839-2	3376-2	3732-2	3599-2	3257-2	7188-3	5984-2	5815+2	5805+2	
	1692+1	1933+1	1125+1	1276+1	1502+1	1786+1	1974+1	1905+1	1724+1					
04	1027+0	1219+0	1132+0	1289+0	1299+0	1392+0	0000	0000	0000	3079+1	1019+0	5820-2	1290-1	5840+2
	3337-2	3960-2	3677-2	4186-2	4218-2	4519-2	0000	0000	0000	7656-3	6000-2	5815+2	5805+2	
	1765+1	2095+1	1945+1	2215+1	2232+1	2391+1	0000	0000	0000					
05	0000	1899-1	6925-2	6226-2	6815-2	7506-2	1249-1	8067-2	1353-2	3065+1	1014+0	5792-2	1284-1	5840+2
	0000	6195-3	2259-3	2032-3	2224-3	2449-3	4077-3	2632-3	4415-4	7813-3	6109-2	5810+2	5800+2	
	0000	3278+0	1196+0	1075+0	1177+0	1296+0	2157+0	1393+0	2336-1					

PROJ	RUN	GROUP	CONF	MACH	X/D	1	2	3	4	5	6	7	8	9	Po	q	Pinf	Re	To	
0626	0005	0073	0002	5000+0	6939+0															
02	1685+0	0000	7532-1	8997-1	1138+0	1452+0	1653+0	1738+0	1796+0	1796+0	1738+0	1796+0	1796+0	1796+0	3044+1	1007+0	5752-2	1277-1	5835+2	
	5536-2	0000	2475-2	2956-2	3740-2	4770-2	5432-2	5709-2	5901-2	5901-2	5709-2	5901-2	5901-2	5901-2	7656-3	7578-2	5725+2	5805+2		
	2929+1	0000	1309+1	1564+1	1979+1	2524+1	2874+1	3021+1	3122+1	3122+1	3021+1	3122+1	3122+1	3122+1						
03	1131+0	1096+0	7462-1	8108-1	8966-1	1007+0	1138+0	1165+0	1133+0	1133+0	1165+0	1133+0	1133+0	1133+0	3039+1	1005+0	5745-2	1275-1	5835+2	
	3719-2	3604-2	2455-2	2668-2	2949-2	3313-2	3745-2	3833-2	3728-2	3728-2	3833-2	3728-2	3728-2	3728-2	7813-3	7625-2	5725+2	5805+2		
	1968+1	1907+1	1299+1	1411+1	1561+1	1753+1	1981+1	2028+1	1973+1	1973+1	2028+1	1973+1	1973+1	1973+1						
04	1166+0	1447+0	1656+0	1581+0	1244+0	1277+0	0000	0000	0000	0000	0000	0000	0000	0000	3047+1	1008+0	5759-2	1279-1	5835+2	
	3825-2	4749-2	5435-2	5187-2	4081-2	4191-2	0000	0000	0000	0000	0000	0000	0000	0000	7656-3	7609-2	5725+2	5805+2		
	2024+1	2513+1	2876+1	2744+1	2159+1	2217+1	0000	0000	0000	0000	0000	0000	0000	0000						
05	0000	1847-1	6817-2	6164-2	6658-2	7349-2	1212-1	7817-2	1166-2	1166-2	7817-2	1166-2	1166-2	1166-2	3038+1	1005+0	5742-2	1276-1	5830+2	
	0000	6079-3	2244-3	2029-3	2192-3	2419-3	3990-3	2573-3	3839-4	3839-4	2573-3	3839-4	3839-4	3839-4	7656-3	7609-2	5720+2	5805+2		
	0000	3216+0	1187+0	1073+0	1159+0	1279+0	2111+0	1361+0	2031-1	2031-1	1361+0	2031-1	2031-1	2031-1						

PROJ	RUN	GROUP	CONF	MACH	X/D	1	2	3	4	5	6	7	8	9	Po	q	Pinf	Re	To
0626	0005	0074	0002	5000+0	8929+0														
02	1693+0	0000	8312-1	9629-1	1193+0	1473+0	1656+0	1728+0	1746+0	1746+0	1656+0	1728+0	1746+0	1746+0	3049+1	1008+0	5763-2	1281-1	5830+2
	5552-2	0000	2726-2	3158-2	3912-2	4831-2	5432-2	5666-2	5727-2	5727-2	5432-2	5666-2	5727-2	5727-2	6250-3	1089-1	5675+2	5800+2	
	2937+1	0000	1442+1	1671+1	2070+1	2556+1	2874+1	2998+1	3030+1	3030+1	2874+1	2998+1	3030+1	3030+1					
03	1177+0	1089+0	8281-1	8814-1	9519-1	1023+0	1116+0	1157+0	1161+0	1161+0	1116+0	1157+0	1161+0	1161+0	3049+1	1009+0	5764-2	1281-1	5830+2
	3861-2	3572-2	2715-2	2890-2	3121-2	3354-2	3661-2	3794-2	3805-2	3805-2	3661-2	3794-2	3805-2	3805-2	7344-3	1088-1	5675+2	5800+2	
	2043+1	1889+1	1437+1	1529+1	1652+1	1774+1	1937+1	2007+1	2013+1	2013+1	1937+1	2007+1	2013+1	2013+1					
04	1213+0	1443+0	1687+0	1663+0	1654+0	1529+0	0000	0000	0000	0000	0000	0000	0000	0000	3054+1	1010+0	5771-2	1283-1	5830+2
	3973-2	4727-2	5525-2	5445-2	5418-2	5009-2	0000	0000	0000	0000	0000	0000	0000	0000	6719-3	1091-1	5675+2	5800+2	
	2102+1	2501+1	2923+1	2881+1	2867+1	2651+1	0000	0000	0000	0000	0000	0000	0000	0000					
05	0000	1892-1	6894-2	6258-2	6799-2	7459-2	1231-1	7958-2	1291-2	1291-2	1231-1	7958-2	1291-2	1291-2	3065+1	1014+0	5794-2	1288-1	5830+2
	0000	6173-3	2249-3	2041-3	2218-3	2433-3	4015-3	2596-3	4211-4	4211-4	4015-3	2596-3	4211-4	4211-4	7969-3	1091-1	5675+2	5830+2	
	0000	3266+0	1189+0	1080+0	1174+0	1287+0	2124+0	1374+0	2228-1	2228-1	2124+0	1374+0	2228-1	2228-1					

PROJ	RUN	GROUP	CONF	MACH	X/D	1	2	3	4	5	6	7	8	9	Po	q	Pinf	Re	To	
0626	0005	0075	0002	3000+0	1094+1															
02	1664+0	0000	3773-1	9932-1	1199+0	1443+0	1632+0	1717+0	1731+0	3072+1	1016+0	5805-2	1294-1	5820+2						
	5417-2	0000	2858-2	3234-2	3904-2	4717-2	5314-2	5588-2	5793-2	5313-3	1109-1	5640+2	5790+2							
	2866+1	0000	1512+1	1711+1	2066+1	2456+1	2811+1	2957+1	3052+1											

03	1216+0	1107+0	5753-1	9267-1	9894-1	1046+0	1118+0	1161+0	1191+0	3074+1	1016+0	5804-2	1293-1	5820+2						
	3959-2	3603-2	2850-2	3018-2	3222-2	3407-2	3640-2	3781-2	3578-2	6094-3	1134-1	5640+2	5790+2							
	2094+1	1906+1	1508+1	1597+1	1705+1	1803+1	1926+1	2000+1	2052+1											

04	1266+0	1458+0	1693+0	1636+0	1642+0	1584+0	0000	0000	0000	3069+1	1015+0	5799-2	1292-1	5820+2						
	4124-2	4752-2	5516-2	5332-2	5351-2	5161-2	0000	0000	0000	6250-3	1136-1	5640+2	5790+2							
	2182+1	2514+1	2918+1	2821+1	2831+1	2731+1	0000	0000	0000											

05	0000	1878-1	6925-2	6368-2	6768-2	7506-2	1229-1	7989-2	1229-2	3065+1	1014+0	5794-2	1291-1	5820+2						
	0000	6127-3	2259-3	2077-3	2208-3	2449-3	4010-3	2606-3	4003-4	7500-3	1129-1	5640+2	5785+2							
	0000	3242+0	1195+0	1099+0	1168+0	1296+0	2122+0	1379+0	2121-1											

PROJ	RUN	GROUP	CONF	MACH	X/D	1	2	3	4	5	6	7	8	9	Po	q	Pinf	Re	To	
0626	0005	0076	0002	4030+0	1029+0															
02	3302+0	0000	7288-1	2421+0	1792+0	2119+0	3070+0	4908+0	5533+0	7327+1	5271+0	4637-1	4955-1	5825+2						
	4507-2	0000	9948-3	3305-2	2447-2	2693-2	4191-2	6695-2	1165-1	1039-1	4920-1	6125+2	5910+2							
	7121+0	0000	1572+0	5222+0	3866+0	4572+0	6622+0	1058+1	1840+1											
03	5109+0	3146+0	7707-1	2932+0	2698+0	3045+0	3701+0	4134+0	4340+0	7324+1	5269+0	4635-1	4947-1	5830+2						
	6976-2	4295-2	1052-2	4004-2	3683-2	4157-2	5053-2	5644-2	5926-2	1056-1	4925-1	6130+2	5925+2							
	1102+1	6766+0	1663+0	6326+0	5819+0	6569+0	7965+0	8915+0	9364+0											
04	5764+0	8029+0	1031+1	1358+1	8051+0	8452+0	0000	0000	0000	7324+1	5269+0	4635-1	4947-1	5830+2						
	7869-2	1104-1	1408-1	1854-1	1099-1	1154-1	0000	0000	0000	1041-1	4924-1	6135+2	5920+2							
	1243+1	1745+1	2225+1	2929+1	1737+1	1823+1	0000	0000	0000											
05	0000	1099+0	4451-1	4575-1	4808-1	6787-1	1555+0	5876-1	1009-1	7287+1	5213+0	4611-1	4916-1	5835+2						
	0000	1509-2	6108-3	6279-3	6598-3	9315-3	2134-2	8064-3	1385-3	1023-1	4909-1	6150+2	5945+2							
	0000	2384+0	9651-1	9922-1	1043+0	1472+0	3372+0	1274+0	2189-1											

PROJ	RUN	GROUP	CONF	MACH	X/D	1	2	3	4	5	6	7	8	9	Po	q	Pinf	Re	To	
0626	0005	0077	0002	4030+0	1985+0															
02	444+0	0000	1878+0	2996+0	5129+0	5195+0	4359+0	4985+0	6322+0	7334+1	5276+0	4641-1	4954-1	5830+2						
	6059-2	0000	2561-2	4085-2	6994-2	7084-2	5943-2	6798-2	8621-2	8797-2	4905-1	5900+2	6210+2							
	957+0	0000	4047+0	6454+0	1105+1	1119+1	9391+0	1074+1	1362+1											
03	4429+0	3669+0	3693+0	5935+0	7960+0	3956+0	3534+0	3577+0	4173+0	7331+1	5275+0	4639-1	4952-1	5930+2						
	6042-2	5006-2	5045-2	8095-2	1086-1	5396-2	4820-2	4879-2	5692-2	8656-2	4906-1	5900+2	6210+2							
	9547+0	7909+0	7971+0	1279+1	1716+1	8527+0	7617+0	7710+0	8994+0											
04	5154+0	6406+0	7412+0	9164+0	1098+1	8272+0	0000	0000	0000	7338+1	5279+0	4644-1	4957-1	5830+2						
	7023-2	8729-2	1010-1	1496-1	1127-1	0000	0000	0000	0000	8781-2	4924-1	5900+2	6220+2							
	1109+1	1379+1	1596+1	1973+1	2364+1	1781+1	0000	0000	0000											
05	0000	1110+0	4484-1	4623-1	4861-1	6702-1	1567+0	5978-1	8675-2	7343+1	5283+0	4647-1	4959-1	5830+2						
	0000	1512-2	6107-3	6295-3	6619-3	9126-3	2135-2	8141-3	1182-3	8613-2	4945-1	5895+2	6220+2							
	0000	2389+0	9649-1	9947-1	1046+0	1442+0	3373+0	1286+0	1867-1											

PROJ	RUN	GROUP	CONF	MACH	X/D	1	2	3	4	5	6	7	8	9	Po	q	Pinf	Re	To	
0626	0005	0076	0002	4030+0	2970+0															
02	9778+0	0000	2698+0	3018+0	4795+0	8664+0	9582+0	5269+0	5984+0	7334+1	5276+0	4641-1	4954-1	5830+2						
	1333-1	0000	3679-2	4115-2	6543-2	1181-1	1307-1	7185-2	8159-2	8703-2	4892-1	5885+2	6050+2							
	2107+1	0000	5813+0	6502+0	1034+1	1867+1	2065+1	1135+1	1289+1											
03	5208+0	6993+0	4751+0	6948+0	8578+0	7171+0	6327+0	4489+0	5126+0	7322+1	5268+0	4634-1	4946-1	5830+2						
	7113-2	9550-2	6489-2	9489-2	1172-1	9794-2	8642-2	6132-2	7001-2	8859-2	4911-1	5885+2	6055+2							
	1124+1	1509+1	1025+1	1499+1	1851+1	1548+1	1365+1	9689+0	1106+1											
04	5743+0	6328+0	6588+0	7887+0	8808+0	9602+0	0000	0000	0000	7322+1	5268+0	4634-1	4946-1	5830+2						
	7843-2	8643-2	8998-2	1077-1	1203-1	1311-1	0000	0000	0000	8688-2	4914-1	5885+2	6055+2							
	1239+1	1366+1	1422+1	1702+1	1901+1	2072+1	0000	0000	0000											
05	0000	1103+0	4457-1	4593-1	4817-1	6758-1	1560+0	5829-1	8709-2	7289+1	5284+0	4613-1	4924-1	5830+2						
	0000	1513-2	6114-3	6301-3	6609-3	9272-3	2141-2	7997-3	1195-3	8719-2	4916-1	5885+2	6055+2							
	0000	2390+0	9661-1	9956-1	1044+0	1465+0	3383+0	1264+0	1888-1											

PROJ	RUN	GROUP	CONF	MACH	X/D	1	2	3	4	5	6	7	8	9	Po	q	Pinf	Re	To	
0626	0005	0079	0002	4030+0	4955+0															
02	9016+0	0000	3762+0	3455+0	4059+0	6147+0	8427+0	9219+0	9780+0	7239+1	5209+0	4582-1	4897-1	5825+2						
	1245-1	0000	5196-2	4773-2	5606-2	8491-2	1164-1	1273-1	1351-1	8578-2	4861-1	5900+2	5770+2							
	1968+1	0000	8209+0	7541+0	8858+0	1342+1	1839+1	2012+1	2135+1											
03	8531+0	7434+0	5462+0	6974+0	7815+0	7430+0	6898+0	7545+0	8757+0	7245+1	5212+0	4585-1	4899-1	5825+2						
	1178-1	1026-1	7540-2	9626-2	1079-1	1026-1	9522-2	1041-1	1209-1	5572-2	4881-1	5900+2	5770+2							
	1861+1	1622+1	1191+1	1521+1	1705+1	1621+1	1505+1	1646+1	1910+1											
04	8943+0	9179+0	6457+0	7004+0	7122+0	7698+0	0000	0000	0000	7242+1	5211+0	4583-1	4898-1	5825+2						
	1235-1	1267-1	8916-2	9671-2	9834-2	1063-1	0000	0000	0000	8781-2	4894-1	5900+2	5770+2							
	1964+1	2003+1	1409+1	1528+1	1554+1	1679+1	0000	0000	0000											
05	0000	1101+0	4435-1	4572-1	4797-1	6744-1	1556+0	5928-1	8631-2	7266+1	5227+0	4598-1	4914-1	5825+2						
	0000	1515-2	6104-3	6293-3	6602-3	9283-3	2141-2	8158-3	1188-3	8781-2	4869-1	5900+2	5770+2							
	0000	2395+0	9646-1	9944-1	1043+0	1467+0	3384+0	1289+0	1877-1											

PROJ	RUN	GROUP	CONF	MACH	X/D	1	2	3	4	5	6	7	8	9	Po	q	Pinf	Re	To	
0626	0005	0080	0002	4030+0	6939+0															
02	8749+0	0000	4577+0	4253+0	4391+0	5592+0	7606+0	6916+0	9542+0	7369+1	5302+0	4663-1	4977-1	5630+2						
	1187-1	0000	6212-2	5772-2	5959-2	7588-2	1032-1	1209-1	1295-1	8797-2	4947-1	5895+2	5775+2							
	1876+1	0000	9815+0	9121+0	9416+0	1199+1	1631+1	1912+1	2046+1											
03	8472+0	7579+0	5959+0	7190+0	7719+0	7598+0	7425+0	7829+0	8879+0	7362+1	5297+0	4659-1	4973-1	5830+2						
	1151-1	1029-1	8096-2	9767-2	1049-1	1032-1	9678-2	1063-1	1206-1	8578-2	4942-1	5855+2	5770+2							
	1818+1	1627+1	1279+1	1543+1	1657+1	1631+1	1529+1	1680+1	1906+1											
04	8800+0	8951+0	9199+0	9706+0	9328+0	7292+0	0000	0000	0000	7359+1	5295+0	4658-1	4971-1	5830+2						
	1196-1	1216-1	1249-1	1319-1	1267-1	9909-2	0000	0000	0000	8781-2	4964-1	5895+2	5780+2							
	1809+1	1922+1	1975+1	2084+1	2003+1	1566+1	0000	0000	0000											
05	0000	1124+0	4486-1	4621-1	4853-1	6821-1	1572+0	5978-1	8771-2	7348+1	5286+0	4650-1	4957-1	5835+2						
	0000	1529-2	6105-3	6289-3	6605-3	9283-3	2139-2	8135-3	1194-3	8844-2	4961-1	5900+2	5780+2							
	0000	2416+0	9647-1	9938-1	1044+0	1467+0	3381+0	1285+0	1886-1											



PROJ	RUN	GROUP	CONF	MACH	X/D	1	2	3	4	5	6	7	8	9	Po	q	Pinf	Re	To	
0626	0005	0081	0002	4030+0	8934+0															
02						8364+0	0000	5096+0	4793+0	4761+0	5440+0	6861+0	8423+0	9234+0	7294+1	5243+0	4616-1	4914-1	5840+2	
						1147-1	0000	6986-2	6571-2	6528-2	7459-2	9406-2	1155-1	1266-1	8735-2	4895-1	5885+2	5815+2		
						1812+1	0000	1104+1	1038+1	1031+1	1179+1	1486+1	1825+1	2000+1						
03						8392+0	7484+0	6156+0	7068+0	7457+0	7393+0	7125+0	7887+0	8696+0	7301+1	5253+0	4620-1	4912-1	5845+2	
						1149-1	1025-1	8432-2	9681-2	1021-1	1013-1	9759-2	1080-1	1191-1	8563-2	4892-1	5890+2	5815+2		
						1816+1	1619+1	1332+1	1529+1	1614+1	1600+1	1542+1	1707+1	1882+1						
04						8559+0	8578+0	8935+0	9293+0	8836+0	8951+0	0000	0000	0000	7279+1	5238+0	4607-1	4898-1	5845+2	
						1176-1	1178-1	1227-1	1277-1	1214-1	1229-1	0000	0000	0000	8547-2	4914-1	5890+2	5815+2		
						1858+1	1862+1	1939+1	2017+1	1918+1	1943+1	0000	0000	0000						
05						0000	1100+0	4458-1	4585-1	4809-1	6754-1	1561+0	5940-1	8787-2	7294+1	5213+0	4616-1	4902-1	5845+2	
						0000	1509-2	6112-3	6286-3	6594-3	9259-3	2141-2	8144-3	1205-3	8563-2	4906-1	5890+2	5815+2		
						0000	2384+0	9658-1	9933-1	1042+0	1463+0	3382+0	1287+0	1904-1						

PROJ	RUN	GROUP	CONF	MACH	X/D	1	2	3	4	5	6	7	8	9	Po	q	Pinf	Re	To	
0626	0005	0082	0002	4030+0	1094+1															
02						7998+0	0000	5483+0	5217+0	5138+0	5538+0	6482+0	7836+0	9210+0	7294+1	5248+0	4616-1	4920-1	5835+2	
						1097-1	0000	7518-2	7152-2	7045-2	7593-2	8887-2	1074-1	1263-1	8781-2	4931-1	5850+2	5795+2		
						1733+1	0000	1188+1	1130+1	1113+1	1199+1	1404+1	1698+1	1995+1						
03						8453+0	7484+0	6252+0	7018+0	7386+0	7369+0	7298+0	8157+0	8666+0	7296+1	5249+0	4617-1	4922-1	5835+2	
						1159-1	1026-1	8569-2	9619-2	1012-1	1010-1	1000-1	1118-1	1183-1	8750-2	4938-1	5855+2	5790+2		
						1831+1	1621+1	1354+1	1519+1	1599+1	1596+1	1580+1	1767+1	1877+1						
04						8615+0	8573+0	8923+0	9189+0	8789+0	8855+0	0000	0000	0000	7294+1	5246+0	4614-1	4919-1	5835+2	
						1182-1	1176-1	1224-1	1260-1	1205-1	1214-1	0000	0000	0000	8797-2	4920-1	5855+2	5790+2		
						1867+1	1858+1	1934+1	1992+1	1905+1	1919+1	0000	0000	0000						
05						0000	1104+0	4457-1	4594-1	4825-1	6774-1	1563+0	5945-1	8694-2	7306+1	5256+0	4623-1	4941-1	5825+2	
						0000	1511-2	6101-3	6289-3	6605-3	9273-3	2139-2	8137-3	1190-3	8703-2	4908-1	5850+2	5780+2		
						0000	2388+0	9639-1	9937-1	1044+0	1465+0	3380+0	1286+0	1880-1						

PROJ	RUN	GROUP	CONF	MACH	X/D	1	2	3	4	5	6	7	8	9	Po	q	Finf	Re	To	
0626	0005	0083	0002	3990+0	1000+0															
02	6758-1	0000	1622-1	4199-1	3847-1	4622-1	5745-1	8588-1	1574+0	1349+1	1004+0	9008-2	9328-2	5820+2						
	5007-2	0000	1202-2	3112-2	2850-2	3425-2	4257-2	6364-2	1166-1	1844-2	1070-1	5710+2	5680+2							
	7502+0	0000	1801+0	4662+0	4270+0	5132+0	6378+0	953+0	1747+1											
03	1182+0	8144-1	18972-2	1818-1	6944-1	7590-1	8696-1	9981-1	1127+0	1350+1	1004+0	9013-2	9346-2	5815+2						
	8754-2	6031-2	6644-3	1346-2	5143-2	5621-2	6440-2	7392-2	8347-2	1922-2	1073-1	5710+2	5680+2							
	1312+1	9035+0	9954-1	2017+0	7705+0	8421+0	9649+0	1107+1	1251+1											
04	1057+0	8299-1	1084+0	1849+0	1524+0	1454+0	0000	0000	0000	1349+1	1004+0	9008-2	9340-2	5815+2						
	7833-2	6149-2	8030-2	1371-1	1127-1	1078-1	0000	0000	0000	2016-2	1066-1	5705+2	5750+2							
	1174+1	9213+0	1203+1	2053+1	1689+1	1614+1	0000	0000	0000											
05	0000	2209-1	9141-2	9434-2	1043-1	1217-1	2347-1	1142-1	2426-2	1353+1	1006+0	9025-2	9362-2	5815+2						
	0000	1633-2	6758-3	6974-3	7707-3	8994-3	1735-2	8444-3	1794-3	2203-2	1070-1	5710+2	5680+2							
	0000	2447+0	1012+0	1045+0	1155+0	1347+0	2599+0	1265+0	2687-1											
PROJ	RUN	GROUP	CONF	MACH	X/D															
0626	0005	0084	0002	3990+0	1950+0															
02	8750-1	0000	5134-1	7425-1	1038+0	1193+0	8267-1	9317-1	1185+0	1366+1	1016+0	9117-2	9441-2	5820+2						
	6406-2	0000	3758-2	5435-2	7597-2	8733-2	6052-2	6821-2	8678-2	1734-2	1039-1	6030+2	5815+2							
	9597+0	0000	5631+0	8143+0	1138+1	1308+1	9067+0	1022+1	1300+1											
03	8897-1	8727-1	4659-1	8371-1	1482+0	1235+0	8270-1	8598-1	8829-1	1369+1	1019+0	9143-2	9469-2	5820+2						
	6495-2	6371-2	3402-2	6111-2	1082-1	9015-2	6037-2	6248-2	6445-2	1766-2	1045-1	6030+2	5820+2							
	9731+0	9545+0	5096+0	9155+0	1621+1	1351+1	9045+0	9360+0	9656+0											
04	8503-1	7951-1	9386-1	1588+0	1981+0	1764+0	0000	0000	0000	1376+1	1024+0	9185-2	9512-2	5820+2						
	6179-2	5778-2	6821-2	1154-1	1439-1	1282-1	0000	0000	0000	1828-2	1047-1	6035+2	5820+2							
	9257+0	8656+0	1022+1	1729+1	2157+1	1920+1	0000	0000	0000											
05	0000	2259-1	9187-2	9607-2	1049-1	1226-1	2435-1	1189-1	2239-2	1393+1	1036+0	9255-2	9613-2	5825+2						
	0000	1623-2	6598-3	6899-3	7531-3	8804-3	1749-2	8538-3	1606-3	1933-2	1070-1	6045+2	5825+2							
	0000	2431+0	9885-1	1034+0	1128+0	1319+0	2620+0	1279+0	2409-1											

PROJ RUN	GROUP	CONF	MACH	X/D	1	2	3	4	5	6	7	8	9	Po	q	Pinf	Re	To	
0626	0005	0085	0002	3990+0	2970+0														
02	1923+0	0000	6519-1	8352-1	1124+0	1653+0	1912+0	1075+0	1158+0	1379+1	1026+0	9206-2	9503-2	5830+2					
	1394-1	0000	4726-2	6056-2	8146-2	1199-1	1386-1	7793-2	8397-2	1516-2	1014-1	5960+2	5820+2						
	2089+1	0000	7081+0	9073+0	1220+1	1796+1	2077+1	1168+1	1258+1										
03	7598-1	1578+0	7007-1	1049+0	1555+0	1617+0	1455+0	8759-1	7876-1	1372+1	1021+0	9159-2	9460-2	5830+2					
	5610-2	1149-1	5106-2	7644-2	1134-1	1179-1	1059-1	6383-2	5739-2	2578-2	1039-1	5955+2	5830+2						
	8405+0	1722+1	7650+0	1145+1	1698+1	1766+1	1588+1	9563+0	8599+0										
04	7581-1	8016-1	9763-1	1363+0	1633+0	1808+0	0000	0000	0000	1369+1	1019+0	9143-2	9444-2	5830+2					
	5534-2	5852-2	7127-2	9947-2	1192-1	1319-1	0000	0000	0000	1625-2	1042-1	5955+2	5830+2						
	8292+0	8767+0	1068+1	1490+1	1786+1	1977+1	0000	0000	0000										
05	0000	2209-1	9111-2	9403-2	1036-1	1207-1	2389-1	1158-1	32-4-2	1366+1	1016+0	9117-2	9417-2	5830+2					
	0000	1617-2	6669-3	6883-3	7586-3	8838-3	1749-2	8476-3	2345-3	1797-2	1047-1	5955+2	5820+2						
	0000	2423+0	9993-1	1031+0	1137+0	1324+0	2620+0	1269+0	3514-1										

PROJ RUN	GROUP	CONF	MACH	X/D	1	2	3	4	5	6	7	8	9	Po	q	Pinf	Re	To	
0626	0006	0086	0002	3950+0	4955+0														
02	1887+0	0000	7696-1	8771-1	1572+0	1386+0	1754+0	1891+0	1929+0	1375+1	1022+0	9175-2	9513-2	5815+2					
	1373-1	0000	5600-2	6381-2	7796-2	1009-1	1276-1	1376-1	1404-1	1406-2	1432-2	0000	0000	5810+2	5715+2				
	2057+1	0000	8390+0	9560+0	1168+1	1511+1	1512+1	2061+1	2103+1										
03	1242+0	1627+0	8806-1	1118+0	1383+0	1564+0	1606+0	1476+0	1295+0	1375+1	1022+0	9175-2	9501-2	5820+2					
	9039-2	1153-1	6406-2	8131-2	1006-1	1138-1	1168-1	1074-1	9423-2	1484-2	1515-2	0000	0000	5810+2	5715+2				
	1354+1	1773+1	9598+0	1218+1	1503+1	1705+1	1750+1	1609+1	1412+1										
04	1271+0	1498+0	1639+0	1298+0	1399+0	1466+0	0000	0000	0000	1374+1	1022+0	9169-2	9455-2	5820+2					
	9254-2	1090-1	1493-1	9450-2	1018-1	1067-1	0000	0000	0000	1563-2	1547-2	0000	0000	5810+2	5715+2				
	1386+1	1633+1	1788+1	1416+1	1525+1	1598+1	0000	0000	0000										
05	0000	2244-1	9467-2	9904-2	1275-1	1256-1	2447-1	1225-1	0000	1372+1	1021+0	9159-2	9455-2	5820+2					
	0000	1635-2	6899-3	7216-3	9156-3	7574-2	8929-3	0000	0000	1658-2	1641-2	0000	0000	5810+2	5715+2				
	0000	2450+0	1034+0	1081+0	1174+0	1372+0	2672+0	1338+0	0000										

PROJ RUN GROUP CONF MACH X/D  
0626 0006 0087 0002 3990+0 6939+0

	1	2	3	4	5	6	7	8	9	Po	q	Pinf	Re	To
02	1767+0	0000	8748-1	9473-1	1088+0	1312+0	1606+0	1753+0	1807+0	1375+1	1022+0	9175-2	9501-2	5820+2
	1285-1	0000	6364-2	6891-2	7915-2	9547-2	1168-1	1283-1	1315-1	1375-2	1438-2	0000	0000	5760+2
	1926+1	0000	9535+0	1032+1	1186+1	1430+1	1750+1	1922+1	1969+1					5690+2
03	1345+0	1575+0	9797-1	1168+0	1348+0	1501+0	1572+0	1599+0	1378+0	1373+1	1021+0	9164-2	9490-2	5820+2
	9792-2	1147-1	7136-2	8505-2	9849-2	1093-1	1145-1	1099-1	1003-1	1500-2	1547-2	0000	0000	5760+2
	1467+1	1718+1	1069+1	1274+1	1471+1	1638+1	1716+1	1647+1	1503+1					5690+2
04	1347+0	1550+0	1736+0	1815+0	1773+0	1401+0	0000	0000	0000	1371+1	1020+0	9154-2	9479-2	5820+2
	9821-2	1131-1	1266-1	1323-1	1293-1	1022-1	0000	0000	0000	1547-2	1609-2	0000	0000	5760+2
	1471+1	1694+1	1897+1	1983+1	1936+1	1531+1	0000	0000	0000					5690+2
05	0000	2277-1	9498-2	9826-2	1079-1	1241-1	2441-1	1227-1	0000	1374+1	1022+0	9169-2	9496-2	5820+2
	0000	1657-2	6913-3	7152-3	7251-3	9032-3	1777-2	8931-3	0000	1719-2	1781-2	0000	0000	5760+2
	0000	2483+0	1036+0	1072+0	1176+0	1353+0	2662+0	1338+0	0000					5690+2

PROJ RUN GROUP CONF MACH X/D  
0626 0006 0088 0002 3990+0 8929+0

	1	2	3	4	5	6	7	8	9	Po	q	Pinf	Re	To
02	1728+0	0000	9540-1	1000+0	1104+0	1221+0	1534+0	1751+0	1806+0	1373+1	1021+0	9164-2	9478-2	5825+2
	1259-1	0000	6949-2	7236-2	8038-2	9331-2	1117-1	1276-1	1315-1	1266-2	1391-2	0000	0000	5730+2
	1886+1	0000	1041+1	1092+1	1204+1	1398+1	1674+1	1911+1	1970+1					5675+2
03	1369+0	1529+0	1054+0	1208+0	1345+0	1466+0	1527+0	1485+0	1386+0	1372+1	1021+0	9159-2	9472-2	5925+2
	9979-2	1114-1	7684-2	8600-2	9802-2	1068-1	1113-1	1083-1	1010-1	1406-2	1484-2	0000	0000	5730+2
	1495+1	1669+1	1151+1	1319+1	1469+1	1600+1	1667+1	1622+1	1513+1					5675+2
04	1372+0	1519+0	1676+0	1770+0	1747+0	1760+0	0000	0000	0000	1374+1	1022+0	9169-2	9483-2	5825+2
	9986-2	1105-1	1222-1	1289-1	1272-1	1281-1	0000	0000	0000	1500-2	1594-2	0000	0000	5730+2
	1496+1	1656+1	1831+1	1931+1	1905+1	1919+1	0000	0000	0000					5675+2
05	0000	2235-1	9282-2	9622-2	1068-1	1235-1	2429-1	1204-1	0000	1373+1	1021+0	9164-2	9478-2	5825+2
	0000	1628-2	6761-3	7008-3	7776-3	8992-3	1769-2	8766-3	0000	1688-2	1719-2	0000	0000	5730+2
	0000	2439+0	1013+0	1049+0	1165+0	1347+0	2650+0	1313+0	0000					5675+2

PROJ RUN GROUP CONF MACH X/3  
0626 0006 0089 0002 3950+0 1094+1

	1	2	3	4	5	6	7	8	9	Po	q	Pinf	Re	To
02	1657+0	0000	1010+0	1048+0	1123+0	1255+0	1459+0	1687+0	1755+0	1374+1	1022+0	9159-2	9483-2	5825+2
	1206-1	0000	7355-2	7629-2	8175-2	9139-2	1062-1	1228-1	1299-1	1405-2	1465-2	0000	0000	5710+2
	1807+1	0000	1102+1	1143+1	1225+1	1369+1	1591+1	1840+1	1946+1					5665+2
03	1485+0	1612+0	1097+0	1229+0	1343+0	1445+0	1511+0	1490+0	149+0	1372+1	1021+0	9159-2	9472-2	5825+2
	1082-1	1175-1	7992-2	8959-2	9785-2	1053-1	1101-1	1086-1	1034-1	1531-2	1594-2	0000	0000	5705+2
	1621+1	1759+1	1197+1	1342+1	1466+1	1578+1	1649+1	1627+1	1519+1					5660+2
04	1421+0	1551+0	1680+0	1763+0	1719+0	1729+0	0000	0000	0000	1373+1	1021+0	9164-2	9478-2	5825+2
	1035-1	1129-1	1224-1	1284-1	1252-1	1259-1	0000	0000	0000	1563-2	1609-2	0000	0000	5705+2
	1550+1	1693+1	1833+1	1923+1	1876+1	1387+1	0000	0000	0000					5660+2
05	0000	2238-1	9374-2	9606-2	1055-1	1222-1	2419-1	1200-1	0000	1373+1	1021+0	9164-2	9478-2	5825+2
	0000	1629-2	6828-3	6996-3	7685-3	8901-3	1762-2	8744-3	0000	1688-2	1766-2	0000	0000	5705+2
	0000	2442+0	1023+0	1048+0	1151+0	1334+0	2640+0	1309+0	0000					5660+2

PROJ RUN GROUP CONF MACH X/3  
0626 0007 0090 0002 3000+0 1029+0

	1	2	3	4	5	6	7	8	9	Po	q	Pinf	Re	To
02	7709+0	0000	6053-1	6291-1	1166+0	5310+0	7412+0	8916+0	1084+1	4334+1	7433+0	1179+0	5049-1	5805+2
	1779-1	0000	1397-2	1452-2	2690-2	1225-1	1710-1	2057-1	2501-1	6511-1	5678-1	0000	0000	5420+2
	6534+0	0000	5131-1	5332-1	9882-1	4501+0	6283+0	7557+0	9187+0					5355+2
03	8093+0	7349+0	6296-1	7399-1	2576+0	7069+0	7379+0	7912+0	7828+0	4321+1	7411+0	1176+0	5041-1	5800+2
	1873-1	1701-1	1457-2	1712-2	5960-2	1636-1	1708-1	1831-1	1812-1	6541-1	5877-1	0000	0000	5420+2
	6879+0	6247+0	5352-1	6289-1	2189+0	6009+0	6273+0	6725+0	6654+0					5360+2
04	8008+0	9763+0	1174+1	1368+1	1674+1	1223+1	0000	0000	0000	4329+1	7425+0	1179+0	5043-1	5805+2
	1849-1	2255-1	2711-1	3161-1	3866-1	2825-1	0000	0000	0000	6502-1	5849-1	0000	0000	5420+2
	6795+0	8284+0	9959+0	1161+1	1420+1	1038+1	0000	0000	0000					5360+2
05	0000	2002+0	9612-1	1238+0	1174+0	1619+0	3062+0	1149+0	0000	4336+1	7437+0	1180+0	5058-1	5800+2
	0000	4616-2	2217-2	2555-2	2709-2	3734-2	7062-2	2652-2	0000	6456-1	5861-1	0000	0000	5425+2
	0000	1696+0	8143-1	1049+0	9949-1	1372+0	2594+0	9742-1	0000					5360+2

PROJ RUN GROUP CONF MACH X/D  
0626 0007 0091 0002 3000+0 1980+0

	1	2	3	4	5	6	7	8	9	Po	q	Pinf	Re	To
02	8355+0	0000	3496+0	4729+0	1019+1	1367+1	8332+0	8355+0	9197+0	4335+1	7434+0	1180+0	5043-1	5810+2
	1928-1	0000	8064-2	1091-1	2352-1	3154-1	1922-1	1927-1	2122-1	3629-1	3178-1	0000	0000	5975+2
	7080+0	0000	2962+0	4008+0	8641+0	1159+1	7060+0	7079+0	7794+0					6740+2
03	7254+0	8461+0	7061+0	1095+1	1225+1	1151+1	7316+0	6706+0	6973+0	4329+1	7426+0	1179+0	5038-1	5810+2
	1675-1	1954-1	1631-1	2529-1	2830-1	2659-1	1689-1	1549-1	1587-1	3631-1	3166-1	0000	0000	5975+2
	6154+0	7178+0	5989+0	5293+0	1039+1	9768+0	6207+0	5689+0	5831+0					6730+2
04	7689+0	9061+0	9505+0	1130+1	1312+1	1466+1	0000	0000	0000	4339+1	7442+0	1181+0	5048-1	5810+2
	1772-1	2088-1	2191-1	2604-1	3023-1	3379-1	0000	0000	0000	3631-1	3186-1	0000	0000	5975+2
	6509+0	7671+0	8046+0	9566+0	1111+1	1241+1	0000	0000	0000					6725+2
05	0000	2004+0	9605-1	1242+0	1177+0	1622+0	3059+0	1155+0	0000	4328+1	7422+0	1178+0	5035-1	5810+2
	0000	4631-2	2219-2	2869-2	2719-2	3747-2	7069-2	2669-2	0000	3624-1	3164-1	0000	0000	5975+2
	0000	1701+0	8153-1	1054+0	9989-1	1376+0	2597+0	9807-1	0000					6715+2

PROJ RUN GROUP CONF MACH X/D  
0626 0007 0092 0002 3000+0 2975+0

	1	2	3	4	5	6	7	8	9	Po	q	Pinf	Re	To
02	1437+1	0000	5511+0	5616+0	8336+0	1318+1	1422+1	1434+1	9524+0	4336+1	7437+0	1180+0	5032-1	5820+2
	3313-1	0000	1271-1	1295-1	1923-1	3039-1	3279-1	3308-1	2196-1	3605-1	3145-1	0000	0000	5965+2
	1217+1	0000	4669+0	4757+0	7062+0	1116+1	1205+1	1215+1	8068+0					
03	8217+0	1195+1	8269+0	1119+1	1254+1	1255+1	1103+1	1097+1	1132+1	4326+1	7419+0	1178+0	5020-1	5820+2
	1899-1	2762-1	1911-1	2587-1	2858-1	2901-1	2550-1	2536-1	2617-1	3629-1	3134-1	0000	0000	5965+2
	6977+0	1014+1	7021+0	9501+0	1065+1	1066+1	9368+0	9316+0	9615+0					6415+2
04	9007+0	8874+0	9821+0	9980+0	1139+1	1229+1	0000	0000	0000	4333+1	7431+0	1179+0	5028-1	5820+2
	2079-1	2048-1	2267-1	2303-1	2630-1	2837-1	0000	0000	0000	3631-1	3163-1	0000	0000	5965+2
	7635+0	7523+0	8326+0	8461+0	9662+0	1042+1	0000	0000	0000					6410+2
05	0000	1995+0	9549-1	1235+0	1171+0	1616+0	3062+0	1146+0	0000	4338+1	7439+0	1181+0	5034-1	5820+2
	0000	4600-2	2202-2	2847-2	2699-2	3726-2	7059-2	2642-2	0000	3617-1	3155-1	0000	0000	5965+2
	0000	1689+0	8087-1	1046+0	9913-1	1369+0	2593+0	9705-1	0000					6400+2

PROJ RUN GROUP CONP MACH X/D  
 0626 0007 0093 0002 300C+C 4955+0

	1	2	3	4	5	6	7	8	9	Po	q	Pinf	Re	To
02	1345+1	0000	7014+0	7084+0	8319+0	1087+1	1279+1	1343+1	1381+1	4318+1	7406+0	1176+0	4958-1	5830+2
	3115-1	0000	1624-1	1641-1	1927-1	2518-1	2963-1	3109-1	3195-1	3606-1	3147-1	0000	0000	5925+2
	1144+1	0000	5966+0	6026+0	7077+0	9248+0	1089+1	1142+1	1175+1					5970+2
03	1178+1	1186+1	8982+0	1094+1	1203+1	1226+1	1114+1	1101+1	1202+1	4314+1	7399+0	1174+0	4994-1	5830+2
	2731-1	2749-1	2082-1	2536-1	2759-1	2843-1	2582-1	2551-1	2786-1	3597-1	3150-1	0000	0000	5925+2
	1003+1	1009+1	7647+0	9314+0	1024+1	1044+1	9486+0	9371+0	1023+1					5970+2
04	1241+1	1338+1	1289+1	1351+1	9868+0	1078+1	0000	0000	0000	4312+1	7395+0	1174+0	4991-1	5830+2
	2877-1	3102-1	2991-1	3133-1	2265-1	2499-1	0000	0000	0000	3592-1	3141-1	0000	0000	5925+2
	1057+1	1139+1	1099+1	1151+1	84070	9182+0	0000	0000	0000					5960+2
05	0000	1997+0	9542-1	1231+0	1171+0	1607+0	3047+0	1148+0	0000	4317+1	7405+0	1175+0	4997-1	5830+2
	0000	4625-2	2210-2	2851-2	2713-2	3723-2	7059-2	2659-2	0000	3591-1	3139-1	0000	0000	5925+2
	0000	1699+0	8119-1	1047+0	9966-1	1368+0	2593+0	9771-1	0000					5970+2

PROJ RUN GROUP CONP MACH X/D  
 0626 0007 0094 0002 300C+C 6939+0

	1	2	3	4	5	6	7	8	9	Po	q	Pinf	Re	To
02	1309+1	0000	8052+0	8144+0	8852+0	1025+1	1188+1	1302+1	1353+1	4325+1	7418+C	1177+0	4995-1	5835+2
	3027-1	0000	1862-1	1583-1	2047-1	2369-1	2746-1	3009-1	3128-1	3589-1	3144-1	0000	0000	5885+2
	1112+1	0000	6838+0	6917+0	7517+0	8705+0	1009+1	1106+1	1149+1					5875+2
03	1195+1	1189+1	9276+C	1083+1	1183+1	1217+1	1131+1	1112+1	1215+1	4328+1	7422+0	1178+0	5002-1	5835+2
	2762-1	2748-1	2144-1	2503-1	2734-1	2812-1	2614-1	2569-1	2508-1	3588-1	3128-1	0000	0000	5885+2
	1015+1	1009+1	7874+0	9196+0	1004+1	1033+1	9603+0	9437+0	1032+1					5875+2
04	1229+1	1314+1	1260+1	1315+1	1249+1	1323+1	0000	0000	0000	4313+1	7397+0	1174+0	4985-1	5835+2
	2851-1	3047-1	2923-1	3050-1	2892-1	3067-1	0000	0000	0000	3581-1	3139-1	0000	0000	5885+2
	1047+1	1119+1	1074+1	1120+1	1064+1	1126+1	0000	0000	0000					5875+2
05	0000	1995+0	9535-1	1230+0	1167+0	1604+0	3042+0	1139+0	0000	4320+1	7410+0	1176+0	4994-1	5835+2
	0000	4618-2	2207-2	2548-2	2700-2	3713-2	7041-2	2636-2	0000	3597-1	3131-1	0000	0000	5885+2
	0000	1696+0	8107-1	1046+0	9919-1	1364+0	2586+0	9684-1	0000					5875+2

PROJ RUN GROUP CON7 NACE X/D  
0626 0007 0095 0002 3000+0 8934+0

	1	2	3	4	5	6	7	8	9	Po	q	Pinf	Re	To
02	1280+1	0000	8713+0	8823+0	9322+0	1026+1	1151+1	1259+1	1333+1	4323+1	7414+0	1177+0	4997-1	5835+2
	2962-1	0000	2016-1	2041-1	2157-1	2374-1	2663-1	2914-1	3082-1	3599-1	3152-1	0000	0000	5860+2
	1088+1	0000	7404+0	7497+0	7921+0	8719+0	9783+0	1070+1	1132+1					5850+2
03	1214+1	1202+1	9603+0	1085+1	1179+1	1212+1	1444+1	1132+1	1229+1	4331+1	7427+0	1179+0	4992-1	5840+2
	2804-1	2775-1	2218-1	2504-1	2723-1	2798-1	2641-1	2615-1	2839-1	3622-1	3156-1	0000	0000	5860+2
	1030+1	1019+1	8146+0	9199+0	1000+1	1028+1	9699+0	9604+0	1043+1					5850+2
04	1232+1	1311+1	1249+1	1305+1	1262+1	1328+1	0000	0000	0000	4338+1	7441+0	1181+0	5003-1	5840+2
	2840-1	3022-1	2879-1	3008-1	2909-1	3061-1	0000	0000	0000	3602-1	3156-1	0000	0000	5860+2
	1043+1	1110+1	1058+1	1105+1	1069+1	1124+1	0000	0000	0000					5850+2
05	0000	2002+0	9589-1	1236+0	1172+0	1613+0	3051+0	1149+0	0000	4343+1	7449+0	1182+0	5014-1	5840+2
	0000	4609-2	2208-2	2845-2	2599-2	3714-2	7026-2	2648-2	0000	3606-1	3152-1	0000	0000	5860+2
	0000	1693+0	8110-1	1045+0	9913-1	1364+0	2581+0	9726-1	0000					5850+2

PROJ RUN GROUP CON7 NACE X/D  
0626 0007 0096 0002 3000+0 1092+1

	1	2	3	4	5	6	7	8	9	Po	q	Pinf	Re	To
02	1269+1	0000	9197+0	9384+0	9765+0	1043+1	1134+1	1238+1	1336+1	4347+1	7456+0	1183+0	5032-1	5830+2
	2919-1	0000	2116-1	2159-1	2246-1	2399-1	2609-1	2847-1	3074-1	3631-1	3169-1	0000	0000	5820+2
	1072+1	0000	7771+0	7929+0	8252+0	8813+0	9584+0	1046+1	1129+1					5810+2
03	1225+1	1168+1	9734+0	1073+1	1152+1	1191+1	1142+1	1138+1	1235+1	4345+1	7453+0	1183+0	5035-1	5825+2
	2819-1	2734-1	2240-1	2469-1	2664-1	2739-1	2629-1	2619-1	2852-1	3636-1	3189-1	0000	0000	5820+2
	1036+1	1004+1	8228+0	9070+0	9787+0	1006+1	9656+0	9619+0	1046+1					5810+2
04	1246+1	1307+1	1236+1	1283+1	1251+1	1309+1	0000	0000	0000	4357+1	7473+0	1186+0	5049-1	5825+2
	2861-1	3000-1	2832-1	2945-1	2872-1	3005-1	0000	0000	0000	3629-1	3166-1	0000	0000	5820+2
	1051+1	1102+1	1042+1	1082+1	1055+1	1104+1	0000	0000	0000					5810+2
05	0000	2009+0	9602-1	1240+0	1177+0	1621+0	3063+0	1152+0	0000	4357+1	7489+0	1189+0	5061-1	5825+2
	0000	4602-2	2199-2	2841-2	2695-2	3712-2	7015-2	2637-2	0000	3613-1	3167-1	0000	0000	5820+2
	0000	1690+0	8077-1	1043+0	9895-1	1363+0	2577+0	9637-1	0000					5810+2



PROJ RUN GROUP CONF NACH Y/D  
0626 0007 0097 0002 2980+0 1029+0

	1	2	3	4	5	6	7	8	9	Po	q	P.inf	Re	To
02	1046+0	0000	9651-2	1055-1	3104-1	7889-1	9627-1	1158+0	2421+0	5875+0	1028+0	1654-1	6915-2	5820+2
	1774-1	0000	1637-2	1345-2	5265-2	1338-1	1633-1	1963-1	2410-1	7672-2	7453-2	0000	0000	5550+2
	6323+0	0000	5834-1	5575-1	1877+0	4769+0	5819+0	6958+0	5591+0					5530+2
03	1461+0	1092+0	1002-1	1954-1	7476-1	1007+0	1172+0	1247+0	1249+0	5535+0	1028+0	1654-1	6913-2	5820+2
	2478-1	1852-1	1699-2	3365-2	1218-1	1708-1	1988-1	2115-1	2229-1	7688-2	7453-2	0000	0000	5550+2
	8632+0	6600+0	6058-1	1199+0	4340+0	6089+0	7085+0	7538+0	5160+0					5535+2
04	1419+0	1248+0	1229+0	1703+0	1834+0	1508+0	0000	0000	0000	5884+0	1026+0	1651-1	6900-2	5820+2
	2412-1	2120-1	2089-1	2854-1	3117-1	2562-1	0000	0000	0000	7688-2	7438-2	0000	0000	5560+2
	8598+0	7558+0	7445+0	1032+1	1111+1	9134+0	0000	0000	0000					5545+2
05	0000	2931-1	1481-1	1813-1	1881-1	2157-1	4288-1	1767-1	0000	5873+0	1025+0	1649-1	6986-2	5825+2
	0000	4985-2	2519-2	3091-2	3199-2	3669-2	7294-2	3006-2	0000	7672-2	7422-2	0000	0000	5570+2
	0000	1777+0	8981-1	1102+0	1140+0	1308+0	2559+0	1071+0	0000					5560+2

PROJ RUN GROUP CONF NACH Y/D  
0626 0007 0098 0002 2980+0 1550+0

	1	2	3	4	5	6	7	8	9	Po	q	P.inf	Re	To
02	1207+0	0000	5311-1	7143-1	1211+0	1320+0	1409+0	1201+0	1252+0	5875+0	1025+0	1649-1	6875-2	5830+2
	2054-1	0000	9036-2	1216-1	2060-1	3096-1	2398-1	2043-1	2129-1	4531-2	4375-2	0000	0000	5930+2
	7321+0	0000	3221+0	4355+0	7344+0	1104+1	8549+0	7281+0	7591+0					5960+2
03	1147+0	1573+0	9508-1	1363+0	1684+0	1798+0	1259+0	1233+0	1148+0	5872+0	1024+0	1647-1	6877-2	5825+2
	1954-1	2679-1	1619-1	2322-1	2868-1	3063-1	2144-1	2101-1	1956-1	4656-2	4484-2	0000	0000	5915+2
	6965+0	9549+0	5772+0	8275+0	1022+1	1092+1	7642+0	7487+0	6971+0					5950+2
04	1064+0	1001+0	1099+0	1420+0	1639+0	1819+0	0000	0000	0000	5873+0	1024+0	1648-1	6879-2	5825+2
	1811-1	1704-1	1872-1	2412-1	2791-1	3096-1	0000	0000	0000	4734-2	4531-2	0000	0000	5910+2
	6457+0	6074+0	6674+0	8619+0	9949+0	1104+1	0000	0000	0000					5955+2
05	0000	2904-1	1494-1	1799-1	1865-1	2146-1	4237-1	1746-1	0000	5892+0	1028+0	1653-1	6909-2	5820+2
	0000	4929-2	2535-2	3053-2	3166-2	3642-2	7192-2	2963-2	0000	4813-2	4641-2	0000	0000	5905+2

PROJ RUN GROUP CONF NACH X/D  
 0626 0007 0099 0002 2980+0 2975+0

	1	2	3	4	5	6	7	8	9	Po	q	Pinf	Re	To
02	2049+0	0000	7681-1	8127-1	1112+0	1657+0	2004+0	2036+0	1356+0	5928+0	1034+0	1653-1	6961-2	5815+2
	3457-1	0000	1296-1	1371-1	1876-1	2796-1	3380-1	3435-1	2287-1	4531-2	4469-2	0000	0000	5850+2
	1232+1	0000	4619+0	4887+0	6687+0	9965+0	1205+1	1224+1	8153+0					5835+2
03	1169+0	1949+0	1074+0	1399+0	1732+0	1906+0	1908+0	1723+0	1444+0	5931+0	1034+0	1654-1	6964-2	5915+2
	1971-1	3286-1	1810-1	2359-1	3213-1	3217-1	3217-1	2906-1	2435-1	4688-2	4531-2	0000	0000	5850+2
	7026+0	1171+1	6452+0	8408+0	1041+1	1145+1	1147+1	1036+1	8681+0					5835+2
04	1037+0	1091+0	1219+0	1339+0	1463+0	1598+0	0000	0000	0000	5937+0	1035+0	1666-1	6972-2	5815+2
	1746-1	1837-1	2053-1	2256-1	2463-1	2692-1	0000	0000	0000	4750-2	4547-2	0000	0000	5850+2
	6223+0	6549+0	7318+0	8043+0	8781+0	9594+0	0000	0000	0000					5835+2
05	0000	2943-1	1474-1	1792-1	1859-1	2139-1	4237-1	1741-1	0000	5899+0	1029+0	1655-1	6937-2	5810+2
	0000	4989-2	2498-2	3038-2	3151-2	3627-2	7182-2	2951-2	0000	4906-2	4688-2	0000	0000	5850+2
	0000	1776+0	8904-1	1023+0	1123+0	1293+0	2559+0	1052+0	0000					5830+2

PROJ RUN GROUP CONF NACH X/D  
 0626 0007 0100 0002 2980+0 4955+C

	1	2	3	4	5	6	7	8	9	Po	q	Pinf	Re	To
02	1878+0	0000	9396-1	9462-1	1074+0	1361+0	1714+0	1861+0	1897+0	5875+0	1025+0	1648-1	6907-2	5810+2
	3197-1	0000	1599-1	1610-1	1828-1	2316-1	2917-1	3167-1	3225-1	4424-2	4344-2	0000	0000	5825+2
	1139+1	0000	5701+0	5741+0	6516+0	8255+0	1039+1	1129+1	1151+1					5645+2
03	1574+0	1843+0	1105+0	1355+0	1612+0	1794+0	1861+0	1798+0	1622+0	5872+0	1024+0	1647-1	6903-2	5810+2
	2680-1	3139-1	1882-1	2307-1	2746-1	3056-1	3169-1	3063-1	2762-1	4547-2	4436-2	0000	0000	5825+2
	9553+0	1119+1	6709+0	8223+C	9787+0	1085+1	1129+1	1092+1	9844+0					5645+2
04	1489+0	1596+0	1692+0	1814+0	1485+0	1457+0	0000	0000	0000	5873+0	1024+0	1648-1	6905-2	5810+2
	8536-1	2717-1	2881-1	3089-1	2529-1	2481-1	0000	0000	0000	4672-2	4516-2	0000	0000	5825+2
	9039+0	9683+0	1027+1	1101+1	9014+0	8843+0	0000	0000	0000					5645+2
05	0000	2910-1	1489-1	1802-1	1873-1	2137-1	4237-1	1764-1	0000	5879+0	1025+0	1649-1	6913-2	5810+2
	0000	4950-2	2533-2	3065-2	3185-2	3634-2	7207-2	3001-2	0000	4750-2	4547-2	0000	0000	5825+2
	0000	1764+0	9028-1	1092+0	1135+0	1295+0	2569+0	1069+0	0000					5645+2

PROJ RUN GROUP CONF MACH X/D  
 0626 0007 0101 0002 2980+0 6939+0

1	2	3	4	5	6	7	8	9	Po	q	Pinf	Re	To
02	1825+0	0000	1051+0	1146+0	1344+0	1617+0	1805+0	1869+0	5884+0	1026+0	1651-1	6918-2	5810+2
	3102-1	0000	1785-1	1800-1	2284-1	2747-1	3068-1	3176-1	4469-2	4422-2	0000	0000	5810+2
	1106+1	0000	6364+0	6417+0	8113+0	9793+0	1094+1	1132+1					5620+2
03	1618+0	1814+0	1181+0	1385+0	1602+0	1820+0	1771+0	1647+0	5887+0	1027+0	1652-1	6922-2	5810+2
	2748-1	3082-1	2005-1	2352-1	2721-1	2979-1	3008-1	2798-1	4547-2	4438-2	0000	0000	5810+2
	9797+0	1099+1	7148+0	8385+0	9699+0	1062+1	1102+1	9973+0					5620+2
04	1525+0	1563+0	1657+0	1784+0	1799+0	0000	0000	0000	5894+0	1028+0	1653-1	6929-2	5810+2
	2588-1	2652-1	2811-1	3028-1	2936-1	3053-1	0000	0000	4672-2	4484-2	0000	0000	5810+2
	9225+0	9452+0	1002+1	1079+1	1088+1	0000	0000	0000					5620+2
05	0000	2913-1	1479-1	1800-1	1869-1	4240-1	1727-1	0000	5899+0	1029+0	1655-1	6937-2	5810+2
	0000	4989-2	2508-2	3051-2	3169-2	7187-2	2927-2	0000	4813-2	4641-2	0000	0000	5810+2
	0000	1778+0	8941-1	1088+0	1129+0	2562+0	1043+0	0000					5620+2

PROJ RUN GROUP CONF MACH X/D  
 0626 0007 0102 0002 2980+0 8934+0

1	2	3	4	5	6	7	8	9	Po	q	Pinf	Re	To
02	1792+0	0000	1131+0	1149+0	1217+0	1361+0	1577+0	1884+0	5887+0	1027+0	1652-1	6922-2	5810+2
	3044-1	0000	1920-1	1953-1	2068-1	2312-1	2679-1	3200-1	4359-2	4359-2	0000	0000	5795+2
	1085+1	0000	6845+0	6961+0	7369+0	8242+0	9548+0	1141+1					5615+2
03	1652+0	1796+0	1226+0	1402+0	1590+0	1731+0	1807+0	1677+0	5894+0	1028+0	1653-1	6929-2	5810+2
	2802-1	3047-1	2080-1	2379-1	2698-1	2938-1	3066-1	2845-1	4500-2	4453-2	0000	0000	5795+2
	9989+0	1086+1	7415+0	8481+0	9618+0	1047+1	1093+1	1014+1					5615+2
04	1569+0	1571+0	1655+0	1791+0	1724+0	1748+0	0000	0000	5892+0	1028+0	1653-1	6927-2	5810+2
	2663-1	2666-1	2809-1	3040-1	2926-1	2955-1	0000	0000	4531-2	4453-2	0000	0000	5795+2
	9492+0	9502+0	1001+1	1084+1	1043+1	1057+1	0000	0000					5615+2
05	0000	2934-1	1478-1	1799-1	1869-1	4239-1	1741-1	0000	5891+0	1027+0	1653-1	6925-2	5810+2
	0000	4981-2	2509-2	3054-2	3174-2	7196-2	2955-2	0000	4750-2	4594-2	0000	0000	5795+2
	0000	1775+0	8946-1	1088+0	1131+0	2565+0	1053+0	0000					5615+2

PROJ RUN GROUP CONF MACH X/D  
0626 0007 0103 0002 2980+0 1094+1

	1	2	3	4	5	6	7	8	9	Po	q	Finf	Re	To
02	1768+0	0000	1218+0	1235+0	1294+0	1409+0	1575+0	1735+0	1843+0	5879+0	1025+0	1649-1	6913-2	5810+2
	3007-1	0000	2072-1	2100-1	2201-1	2396-1	2679-1	2951-1	3135-1	4297-2	4266-2	0000	0000	5750+2
	1072+1	0000	7386+0	7487+0	7847+0	8541+0	9551+0	1052+1	1117+1					5680+2
03	1701+0	1848+0	1286+0	1436+0	1613+0	1762+0	1848+0	1826+0	1730+0	5876+0	1025+0	1649-1	6911-2	5810+2
	2893-1	3144-1	2158-1	2447-1	2744-1	2997-1	3143-1	3107-1	2944-1	4469-2	4375-2	0000	0000	5750+2
	1031+1	1121+1	7798+0	8721+0	9781+0	1068+1	1120+1	1107+1	1045+1					5620+2
04	1633+0	1599+0	1666+0	1813+0	1794+0	1843+0	0000	0000	0000	5886+0	1026+0	1651-1	6920-2	5810+2
	2774-1	2716-1	2831-1	3081-1	3049-1	3131-1	0000	0000	0000	4547-2	4438-2	0000	0000	5750+2
	9889+0	9681+0	1009+1	1098+1	1087+1	1116+1	0000	0000	0000					5620+2
05	0000	2901-1	1475-1	1796-1	1857-1	2132-1	4222-1	1739-1	0000	5881+0	1026+0	1649-1	6914-2	5810+2
	0000	4933-2	2509-2	3053-2	3158-2	3625-2	7179-2	2958-2	0000	4734-2	4578-2	0000	0000	5750+2
	0000	1758+0	8942-1	1088+0	1126+0	1292+0	2559+0	1054+0	0000					5620+2

PROJ RUN GROUP CONF MACH X/D  
0626 0008 0104 0002 2000+0 1000+0

	1	2	3	4	5	6	7	8	9	Po	q	Finf	Re	To
02	1015+1	0000	1588+0	1633+0	1742+0	2836+0	9054+0	1145+1	1122+1	1918+1	6664+0	2452+0	3650-1	5825+2
	5289-1	0000	8277-2	8513-2	9083-2	1478-1	4720-1	5969-1	6163-1	1762+0	1816+0	0000	0000	5535+2
	4138+0	0000	6476-1	6660-1	7107-1	1157+0	3693+0	4670+0	4822+0					5485+2
03	1037+1	7708+0	1612+0	1663+0	1856+0	4627+0	9751+0	9996+0	1042+1	1929+1	6903+0	2466+0	3712-1	5825+2
	5375-1	3996-1	2354-2	8622-2	9827-2	2399-1	5055-1	5182-1	5402-1	1760+0	1814+0	0000	0000	5535+2
	4205+0	3126+0	6536-1	6746-1	7629-1	1577+0	3955+0	4054+0	4227+0					5485+2
04	1049+1	1044+1	1077+1	1137+1	1313+1	1408+1	0000	0000	0000	1928+1	6898+0	2463+0	3709-1	5825+2
	5442-1	5417-1	5589-1	5897-1	6812-1	7303-1	0000	0000	0000	1759+0	1805+0	0000	0000	5535+2
	4258+0	4238+0	4374+0	4614+0	5330+0	5714+0	0000	0000	0000					5485+2
05	0000	3033+0	1818+0	2794+0	2835+0	3502+0	4882+0	2021+0	0000	1925+1	6889+0	2460+0	3704-1	5825+2
	0000	1575-1	9442-2	1451-1	1161-1	1819-1	2536-1	1049-1	0000	1755+0	1826+0	0000	0000	5540+2
	0000	1233+0	7388-1	1136+0	5084-1	1423+0	1984+0	8212-1	0000					5485+2

PROJ	RUN	GROUP	CONF	MACH	X/D	1	2	3	4	5	6	7	8	9	Po	q	P.inf	Re	To	
0626	0008	0105	0002	2000+0	1950+0															
02	1320+1	0000	3642+0	4829+0	9126+0	1352+1	1333+1	1102+1	1906+1	6819+0	2436+0	3662-1	5830+2							
	6928-1	0000	1911-1	2534-1	4789-1	7094-1	6994-1	5781-1	1329+0	1248+0	0000	0000	6270+2	6525+2						
	5421+0	0000	1495+0	1983+0	3747+0	5551+0	5472+0	4523+0												
03	9834+0	1179+1	5268+0	9200+0	1193+1	1192+1	1212+1	1033+1	1909+1	6831+0	2439+0	3668-1	5830+2							
	5152-1	6178-1	2759-1	4819-1	6249-1	6247-1	6349-1	5409-1	1322+0	1245+0	0000	0000	6270+2	6520+2						
	4031+0	4834+0	2159+0	3771+0	4889+0	4882+0	4968+0	4233+0												
04	9895+0	1023+1	1071+1	1114+1	1163+1	1244+1	0000	0000	1903+1	6808+0	2432+0	3656-1	5830+2							
	2201-1	5377-1	5628-1	5858-1	6115-1	5539-1	0000	0000	1323+0	1256+0	0000	0000	6270+2	6530+2						
	4069+0	4207+0	4403+0	4583+0	4785+0	5117+0	0000	0000												
05	0000	3004+0	1792+0	2757+0	2207+0	3457+0	4811+0	1994+0	1899+1	6797+0	2428+0	3650-1	5830+2							
	0000	1581-1	9432-2	1451-1	1162-1	1820-1	2533-1	1049-1	1316+0	1249+0	0000	0000	6265+2	6530+2						
	0000	1237+0	7380-1	1136+0	9092-1	1424+0	1982+0	8214-1												

PROJ	RUN	GROUP	CONF	MACH	X/D	1	2	3	4	5	6	7	8	9	Po	q	P.inf	Re	To	
0626	0008	0106	0002	2000+0	4955+0															
02	1319+1	0000	8000+0	8309+0	9379+0	1120+1	1271+1	1328+1	1894+1	6778+0	2421+0	3635-1	5835+2							
	6969-1	0000	4224-1	4387-1	4952-1	5915-1	6708-1	7013-1	1304+0	1225+0	0000	0000	5900+2	6100+2						
	5452+0	0000	3305+0	3433+0	3875+0	4528+0	5249+0	5487+0												
03	1206+1	1226+1	8697+0	1019+1	1146+1	1227+1	1256+1	1235+1	1896+1	6783+0	2423+0	3638-1	5835+2							
	6363-1	6468-1	4588-1	5378-1	6044-1	6474-1	6628-1	6517-1	1304+0	1227+0	0000	0000	5900+2	6100+2						
	4979+0	5061+0	3589+0	4208+0	4729+0	5065+0	5186+0	5099+0												
04	1201+1	1291+1	1250+1	1329+1	1296+1	1234+1	0000	0000	1897+1	6789+0	2425+0	3641-1	5835+2							
	6389-1	6807-1	6589-1	7005-1	6829-1	6507-1	0000	0000	1300+0	1223+0	0000	0000	5905+2	6105+2						
	4952+0	5326+0	5156+0	5481+0	5343+0	5091+0	0000	0000												
05	0000	2994+0	1791+0	2749+0	2201+0	3449+0	4809+0	1993+0	1900+1	6800+0	2429+0	3647-1	5835+2							
	0000	1576-1	9425-2	1447-1	1152-1	1815-1	2531-1	1049-1	1305+0	1218+0	0000	0000	5900+2	6095+2						
	0000	1233+0	7374-1	1132+0	9063-1	1420+0	1980+0	8208-1												

PROJ RUN GROUP CONF PAGE X/D  
 C626 0008 0107 0002 2000+0 2970+0

	1	2	3	4	5	6	7	8	9	Po	q	Pinf	Re	To
02	1364+1	0000	5785+0	6686+0	9249+0	1271+1	1359+1	1361+1	1359+1	1901+1	6803+0	2425+0	3649-1	5835+2
	7173-1	0000	3043-1	3517-1	4866-1	6687-1	7151-1	7158-1	7148-1	1301+0	1229+0	0000	0000	6635+2
	5613+0	0000	2381+0	2752+0	3807+0	5232+0	5595+0	5601+0	5593+0					6430+2
03	1197+1	1237+1	7579+0	9978+0	1183+1	1251+1	1271+1	1254+1	1209+1	1903+1	6806+0	2432+0	3652-1	5835+2
	6292-1	6503-1	3984-1	5245-1	6216-1	6576-1	6679-1	6590-1	6355-1	1304+0	1222+0	0000	0000	6055+2
	4923+0	5088+0	3117+0	4104+0	4864+0	5146+0	5226+0	5156+0	4973+0					6430+2
04	1189+1	1297+1	1235+1	1165+1	1141+1	1102+1	0000	0000	0000	1896+1	6786+0	2424+0	3639-1	5835+2
	6274-1	6839-1	6511-1	6143-1	6016-1	5812-1	0000	0000	0000	1311+0	1226+0	0000	0000	6050+2
	4909+0	5351+0	5095+0	4806+0	4707+0	4543+0	0000	0000	0000					6430+2
05	0000	2984+0	1785+0	2745+0	2193+0	3433+0	4793+0	1985+0	0000	1893+1	6775+0	2419+0	3634-1	5835+2
	0000	1576-1	9427-2	1449-1	1158-1	1216-1	2532-1	1048-1	0000	1313+0	1228+0	0000	0000	6050+2
	0000	1233+0	7376-1	1135+0	9064-1	1421+0	1981+0	8203-1	0000					6430+2

PROJ RUN GROUP CONF PAGE X/D  
 C626 0008 0108 0002 2000+0 6934+0

	1	2	3	4	5	6	7	8	9	Po	q	Pinf	Re	To
02	1302+1	0000	8947+0	9273+0	9687+0	1104+1	1227+1	1307+1	1362+1	1903+1	6806+0	2432+0	3652-1	5835+2
	6842-1	0000	4703-1	4874-1	5197-1	5800-1	6448-1	6869-1	7161-1	1310+0	1229+0	0000	0000	5845+2
	5354+0	0000	3679+0	3814+0	4066+0	4538+0	5045+0	5375+0	5603+0					5995+2
03	1227+1	1232+1	9678+0	1068+1	1161+1	1234+1	1257+1	1239+1	1232+1	1907+1	6825+0	2438+0	3661-1	5835+2
	6432-1	6461-1	5075-1	5598-1	6025-1	6472-1	6586-1	6496-1	6457-1	1306+0	1225+0	0000	0000	5840+2
	5033+0	5055+0	3970+0	4379+0	4761+0	5064+0	5155+0	5062+0	5052+0					5995+2
04	1214+1	1278+1	1252+1	1320+1	1293+1	1254+1	0000	0000	0000	1904+1	6814+0	2434+0	3655-1	5835+2
	6374-1	6713-1	6573-1	6933-1	6792-1	6586-1	0000	0000	0000	1305+0	1222+0	0000	0000	5840+2
	4987+0	5253+0	5143+0	5425+0	5314+0	5153+0	0000	0000	0000					5990+2
05	0000	2991+0	1792+0	2752+0	2199+0	3451+0	4816+0	1986+0	0000	1904+1	6814+0	2434+0	3655-1	5835+2
	0000	1571-1	9413-2	1445-1	1155-1	1812-1	2529-1	1039-1	0000	1309+0	1226+0	0000	0000	5845+2
	0000	1229+0	7365-1	1131+0	9038-1	1418+0	1979+0	8136-1	0000					5995+2

PROJ	RUN	GROUP	CONF	MAISE	X/D	1	2	3	4	5	6	7	8	9	Po	q	Pinf	Re	To	
0626	0008	0109	0002	2000+0	8963+0															
02	1248+1	0000	9571+0	9905+0	1041+1	1117+1	1201+1	1272+1	1318+1	1299+1	6797+0	2428+0	3646-1	5835+2						
	6571-1	0000	5039-1	5215-1	5483-1	5879-1	6321-1	6695-1	6942-1	1296+0	1234+0	0000	0000	5810+2	5945+2					
	5141+0	0000	3943+0	4080+0	4289+0	4599+0	4946+0	5241+0	5431+0											
03	1227+1	1225+1	9968+0	1069+1	1145+1	1212+1	1254+1	1252+1	1237+1	1509+1	6834+0	2441+0	3665-1	5835+2						
	6425-1	6414-1	5220-1	5602-1	5996-1	6346-1	6568-1	6555-1	6460-1	1312+0	1227+0	0000	0000	5815+2	5940+2					
	5027+0	5018+0	4084+0	4383+0	4691+0	4965+0	5139+0	5129+0	5070+0											
04	1224+1	1284+1	1273+1	1347+1	1328+1	1268+1	0000	0000	0000	1509+1	6831+0	2439+0	3664-1	5835+2						
	6410-1	6725-1	6671-1	7058-1	6955-1	6644-1	0000	0000	0000	1312+0	1222+0	0000	0000	5810+2	5935+2					
	5015+0	5262+0	5219+0	5523+0	5442+0	5198+0	0000	0000	0000											
05	0000	3005+0	1794+0	2756+0	2200+0	3445+0	4807+0	1975+0	0000	1900+1	6800+0	2429+0	3647-1	5835+2						
	0000	1581-1	9441-2	1450-1	1158-1	1813-1	2529-1	1041-1	0000	1303+0	1223+0	0000	0000	5815+2	5935+2					
	0000	1237+0	7387-1	1135+0	9059-1	1419+0	1979+0	8147-1	0000											
PROJ	RUN	GROUP	CONF	MAISE	X/D															
0626	0008	0110	0002	2000+0	1094+1															
02	1247+1	0000	1014+1	1046+1	1085+1	1130+1	1197+1	1255+1	1324+1	1912+1	6942+0	2444+0	3669-1	5835+2						
	6523-1	0000	5304-1	5472-1	5675-1	5911-1	6260-1	6563-1	6924-1	1313+0	1224+0	0000	0000	5800+2	5890+2					
	5104+0	0000	4150+0	4281+0	4440+0	4625+0	4898+0	5135+0	5412+0											
03	1236+1	1206+1	1014+1	1075+1	1136+1	1206+1	1249+1	1254+1	1240+1	1904+1	6814+0	2434+0	3655-1	5835+2						
	6493-1	6335-1	5327-1	5645-1	5965-1	6335-1	6559-1	6586-1	5515-1	1291+0	1229+0	0000	0000	5795+2	5890+2					
	5081+0	4957+0	4168+0	4417+0	4667+0	4956+0	5132+0	5153+0	5097+0											
04	1288+1	1285+1	1270+1	1334+1	1313+1	1257+1	0000	0000	0000	1899+1	6797+0	2428+0	3646-1	5835+2						
	6466-1	6767-1	6686-1	7021-1	6911-1	6619-1	0000	0000	0000	1310+0	1229+0	0000	0000	5800+2	5890+2					
	5059+0	5295+0	5232+0	5494+0	5407+0	5179+0	0000	0000	0000											
05	0000	2984+0	1793+0	2751+0	2198+0	3439+0	4788+0	1981+0	0000	1893+1	6775+0	2419+0	3634-1	5835+2						
	0000	1576-1	9472-2	1453-1	1161-1	1817-1	2529-1	1046-1	0000	1309+0	1221+0	0000	0000	5795+2	5860+2					
	0000	1233+0	7411-1	1137+0	9083-1	1421+0	1979+0	8187-1	0000											

PROJ RUN GROUP CONF MACH X/D  
0626 0008 0111 0002 2000+0 1000+0

	1	2	3	4	5	6	7	8	9	PO	Q	PinC	Re	To
02	1212+0	0000	2586-1	2660-1	2898-1	5054-1	1177+0	1622+0	1739+0	2835+0	1014+0	3623-1	5466-2	5815+2
	4276-1	0000	9125-2	9386-2	1023-1	1763-1	4153-1	5722-1	6136-1	2522-1	2708-1	0000	0000	5510+2
	3346+0	0000	7139-1	7344-1	8001-1	1395+0	3249+0	4477+0	4582+0					5470+2
03	1586+0	1014+0	2591-1	2668-1	2999-1	5845-1	1526+0	1744+0	1578+0	2864+0	1025+0	3661-1	5524-2	5815+2
	5538-1	3542-1	9046-2	9316-2	1047-1	2041-1	5329-1	5954-1	5825-1	2681-1	2825-1	0000	0000	5510+2
	4333+0	2771+0	7078-1	7289-1	8195-1	1597+0	4169+0	4682+0	4555+0					5465+2
04	1613+0	1564+0	1488+0	1648+0	1777+0	1924+0	0000	0000	0000	2824+0	1032+0	3687-1	5563-2	5815+2
	5591-1	5424-1	5157-1	5715-1	6162-1	6672-1	0000	0000	0000	2759-1	2888-1	0000	0000	5505+2
	4374+0	4244+0	4035+0	4472+0	4821+0	5220+0	0000	0000	0000					5460+2
05	0000	4686-1	2881-1	3974-1	3585-1	5374-1	6901-1	3369-1	0000	2803+0	1003+0	3583-1	5399-2	5820+2
	0000	1672-1	1028-1	1418-1	1279-1	1917-1	2462-1	1202-1	0000	2744-1	2795-1	0000	0000	5500+2
	0000	1308+0	8042-1	1109+0	1001+0	1499+0	1926+0	5402-1	0000					5460+2

PROJ RUN GROUP CONF MACH X/D  
0626 0009 0112 0003 2000+0 1004+0

	1	2	3	4	5	6	7	8	9	PO	Q	PinC	Re	To
02	1078+1	1605+0	2273+0	2162+0	4982+0	8329+0	1072+1	1124+1	1159+1	1951+1	6982+0	2493+0	3763-1	5815+2
	5525-1	8229-2	1165-1	1108-1	2554-1	4269-1	5524-1	5747-1	5825-1	1614+0	1625+0	1635+0	1627+0	5630+2
	4323+0	6438-1	9117-1	8671-1	1998+0	3340+0	4322+0	4497+0	4683+0					5710+2
03	4628+0	1531+0	1602+0	1592+0	1593+0	1609+0	1659+0	1866+0	3374+0	1943+1	6954+0	2483+0	3747-1	5815+2
	2884-1	7877-2	5243-2	8194-2	8198-2	8279-2	8537-2	9708-2	1736-1	1610+0	1623+0	1635+0	1627+0	5630+2
	1944+0	6163-1	6449-1	6411-1	6414-1	6478-1	6679-1	7595-1	1359+0					5715+2
04	9054+0	1047+1	1024+1	1104+1	1171+1	1234+1	0000	0000	0000	1929+1	6903+0	2466+0	3720-1	5815+2
	4694-1	5428-1	5306-1	5725-1	6070-1	6398-1	0000	0000	0000	1606+0	1647+0	1629+0	1674+0	5630+2
	3672+0	4247+0	4151+0	4479+0	4749+0	5006+0	0000	0000	0000					5715+2
05	0000	0000	1594+0	2811+0	2241+0	2267+0	3445+0	3322+0	1419+1	1919+1	6864+0	2452+0	3699-1	5815+2
	0000	0000	9876-2	1466-1	1168-1	1182-1	1796-1	1732-1	7400-1	1592+0	1602+0	1613+0	1663+0	5635+2
	0000	0000	7727-1	1147+0	9141-1	9246-1	1405+0	1355+0	5789+0					5720+2



PROJ	RUN	GROUP	CONF	MACH	X/D	1	2	3	4	5	6	7	8	9	Po	q	Pinf	Re	To	
0626	0009	0113	0003	2000+0	1964+0															
02	1418+1	5290+0	5494+0	8064+0	1197+1	1389+1	1419+1	1439+1	1014+1	1905+1	6817+0	2435+0	3669-1	5820+2						
	7448-1	2777-1	2884-1	4234-1	6284-1	7294-1	7449-1	7402-1	5325-1	1086+0	1023+0	1109+0	1037+0	6090+2	5760+2					
	5824+0	2173+0	2256+0	3312+0	4917+0	5707+0	5829+0	5792+0	4167+0											
03	1170+1	8144+0	6133+0	6721+0	6131+0	6618+0	1002+1	1219+1	1213+1	1910+1	6836+0	2442+0	3679-1	5820+2						
	6127-1	4263-1	3210-1	3515-1	3209-1	3464-1	5247-1	6386-1	6351-1	1085+0	1019+0	1114+0	1052+0	6095+2	5760+2					
	4794+0	3336+0	2512+0	2753+0	2511+0	2710+0	4106+0	4996+0	4969+0											
04	1148+1	1144+1	1185+1	1141+1	1124+1	1145+1	0000	0000	0000	1904+1	6814+0	2434+0	3668-1	5820+2						
	6030-1	6008-1	6222-1	5990-1	5905-1	6016-1	0000	0000	0000	1081+0	1019+0	1106+0	1037+0	6090+2	5760+2					
	4718+0	4701+0	4868+0	4687+0	4620+0	4707+0	0000	0000	0000											
05	0000	0000	1872+0	2773+0	2217+0	2231+0	3392+0	3281+0	1420+1	1895+1	6794+0	2427+0	3657-1	5820+2						
	0000	0000	9859-2	1461-1	1168-1	1175-1	1766-1	1722-1	7481-1	1075+0	1014+0	1103+0	1043+0	6095+2	5760+2					
	0000	0000	7715-1	1143+0	9135-1	9194-1	1398+0	1352+0	5853+0											
PROJ	RUN	GROUP	CONF	MACH	X/D															
0626	0009	0114	0003	2000+0	2975+0															
02	1357+1	7136+0	7173+0	9009+0	1105+1	1279+1	1356+1	1371+1	1368+1	1895+1	6794+0	2427+0	3657-1	5820+2						
	7148-1	3759-1	3778-1	4745-1	5821-1	6739-1	7144-1	7222-1	7205-1	1077+0	1016+0	1106+0	1045+0	5880+2	6515+2					
	5593+0	2941+0	2956+0	3713+0	4555+0	5273+0	5589+0	5651+0	5638+0											
03	1218+1	8963+0	7810+0	8482+0	8562+0	8478+0	9659+0	1208+1	1242+1	1899+1	6797+0	2428+0	3659-1	5820+2						
	6411-1	4719-1	4112-1	4465-1	4508-1	4464-1	5085-1	6362-1	6538-1	1077+0	1012+0	1105+0	1043+0	5885+2	6500+2					
	5016+0	3692+0	3217+0	3494+0	3527+0	3492+0	3979+0	4978+0	5116+0											
04	1203+1	1234+1	1292+1	1333+1	1284+1	1189+1	0000	0000	0000	1898+1	6792+0	2426+0	3656-1	5820+2						
	6339-1	6503-1	6805-1	7022-1	6763-1	6263-1	0000	0000	0000	1077+0	1014+0	1103+0	1037+0	5880+2	6510+2					
	4960+0	5088+0	5325+0	5494+0	5292+0	4900+0	0000	0000	0000											
05	0000	0000	1875+0	2776+0	2218+0	2231+0	3392+0	3293+0	1420+1	1905+1	6817+0	2435+0	3669-1	5820+2						
	0000	0000	9844-2	1457-1	1165-1	1171-1	1781-1	1759-1	7455-1	1077+0	1013+0	1105+0	1043+0	5880+2	6510+2					
	0000	0000	7702-1	1140+0	9112-1	9164-1	1393+0	1353+0	5833+0											

PROJ	RUN	GROUP	CONF	MACH	X/D	1	2	3	4	5	6	7	8	9	Po	q	Pinf	Re	To	
0626	0009	0115	0003	2000+0	4965+0															
02	1269+1	8949+0	8703+0	9999+0	1099+1	1196+1	1273+1	1319+1	1329+1	1329+1	1319+1	1273+1	1319+1	1329+1	1915+1	6853+0	2448+0	3689-1	5820+2	
	6627-1	4673-1	4545-1	5222-1	5737-1	6245-1	6649-1	6887-1	6944-1	6944-1	6887-1	6649-1	6887-1	6944-1	1078+0	1015+0	1105+0	1045+0	5755+2	6195+2
	5185+0	3656+0	3556+0	4065+0	4489+0	4886+0	5202+0	5388+0	5433+0	5433+0	5388+0	5202+0	5388+0	5433+0						
03	1229+1	1023+1	9279+0	9648+0	9685+0	1015+1	1052+1	1157+1	1219+1	1219+1	1157+1	1052+1	1157+1	1219+1	1916+1	6856+0	2449+0	3690-1	5820+2	
	6413-1	5339-1	4844-1	5036-1	5212-1	5298-1	5494-1	6037-1	6368-1	6368-1	6037-1	5494-1	6037-1	6368-1	1078+0	1014+0	1105+0	1043+0	5755+2	6195+2
	5018+0	4178+0	3789+0	3940+0	4078+0	4145+0	4299+0	4723+0	4982+0	4982+0	4723+0	4299+0	4723+0	4982+0						
04	1217+1	1231+1	1296+1	1337+1	1314+1	1268+1	0000	0000	0000	0000	0000	0000	0000	0000	1908+1	6828+0	2439+0	3675-1	5820+2	
	6377-1	6450-1	6791-1	7007-1	6887-1	6644-1	0000	0000	0000	0000	0000	0000	0000	0000	1077+0	1013+0	1107+0	1037+0	5755+2	6195+2
	4989+0	5047+0	5314+0	5482+0	5388+0	5199+0	0000	0000	0000	0000	0000	0000	0000	0000						
05	0000	0000	1876+0	2779+0	2222+0	2233+0	3406+0	3297+0	1420+1	1420+1	3406+0	3297+0	1420+1	1420+1	1917+1	6859+0	2449+0	3692-1	5820+2	
	0000	0000	9788-2	1449-1	1159-1	1165-1	1777-1	1720-1	7409-1	7409-1	1777-1	1720-1	7409-1	7409-1	1077+0	1012+0	1111+0	1043+0	5755+2	6190+2
	0000	0000	7658-1	1134+0	9072-1	9114-1	1390+0	1346+0	5798+0	5798+0	1390+0	1346+0	5798+0	5798+0						

PROJ	RUN	GROUP	CONF	MACH	X/D	1	2	3	4	5	6	7	8	9	Po	q	Pinf	Re	To	
0626	0009	0116	0003	2000+0	6955+0															
02	1248+1	9874+0	9509+0	1052+1	1115+1	1188+1	1251+1	1295+1	1333+1	1333+1	1295+1	1251+1	1295+1	1333+1	1915+1	6853+0	2448+0	3689-1	5820+2	
	6517-1	5156-1	4965-1	5491-1	5823-1	6202-1	6532-1	6780-1	6963-1	6963-1	6780-1	6532-1	6780-1	6963-1	1081+0	1018+0	1109+0	1052+0	5740+2	6010+2
	5099+0	4034+0	3885+0	4296+0	4556+0	4853+0	5111+0	5305+0	5448+0	5448+0	5111+0	5305+0	5448+0	5448+0						
03	1217+1	1069+1	9994+0	1022+1	1054+1	1073+1	1108+1	1175+1	1202+1	1202+1	1108+1	1108+1	1175+1	1202+1	1913+1	6845+0	2445+0	3669-1	5815+2	
	6365-1	5589-1	5225-1	5341-1	5512-1	5610-1	5795-1	6141-1	6283-1	6283-1	5795-1	5795-1	6141-1	6283-1	1081+0	1018+0	1112+0	1048+0	5735+2	6010+2
	4980+0	4373+0	4088+0	4179+0	4313+0	4389+0	4534+0	4805+0	4916+0	4916+0	4534+0	4534+0	4805+0	4916+0						
04	1222+1	1245+1	1289+1	1317+1	1303+1	1260+1	0000	0000	0000	0000	0000	0000	0000	0000	1917+1	6859+0	2449+0	3692-1	5820+2	
	6375-1	6496-1	6725-1	6872-1	6801-1	6575-1	0000	0000	0000	0000	0000	0000	0000	0000	1082+0	1019+0	1114+0	1045+0	5735+2	6015+2
	4988+0	5083+0	5262+0	5377+0	5321+0	5144+0	0000	0000	0000	0000	0000	0000	0000	0000						
05	0000	0000	1881+0	2793+0	2231+0	2244+0	3413+0	3319+0	1420+1	1420+1	3413+0	3319+0	1420+1	1420+1	1918+1	6864+0	2452+0	3695-1	5820+2	
	0000	0000	9808-2	1456-1	1163-1	1169-1	1779-1	1730-1	7405-1	7405-1	1779-1	1730-1	7405-1	7405-1	1081+0	1018+0	1114+0	1048+0	5735+2	6015+2
	0000	0000	7674-1	1139+0	9099-1	9154-1	1392+0	1354+0	5794+0	5794+0	1392+0	1354+0	5794+0	5794+0						

PROJ RUN GROUP CONF MACH X/D  
0626 0009 0117 0003 2000+0 7950+0

	1	2	3	4	5	6	7	8	9	Po	q	Pinf	Re	To
02	1255+1	1023+1	9806+0	1075+1	1129+1	1192+1	1250+1	1294+1	1335+1	1929+1	6903+0	2466+0	3720-1	5815+2
	6508-1	5304-1	5034-1	5574-1	5851-1	6179-1	6481-1	6707-1	6922-1	1085+C	1023+0	1115+0	1055+0	5735+2
	5092+0	4150+0	3977+0	4362+0	4578+0	4835+0	5071+0	5247+0	5416+0					5553+2
03	1233+1	1109+1	1030+1	1049+1	1071+1	1095+1	1129+1	1183+1	1217+1	1917+1	6859+0	2449+0	3696-1	5815+2
	6433-1	5789-1	5375-1	5474-1	5586-1	5711-1	5896-1	6172-1	6349-1	1080+C	1017+0	1109+0	1048+0	5730+2
	5033+0	4529+C	4205+0	4283+0	4371+0	4468+0	4613+0	4829+0	4968+0					5955+2
04	1243+1	1268+1	1313+1	1357+1	1360+1	1314+1	0000	0000	0000	1934+1	6920+0	2471+0	3729-1	5815+2
	6430-1	6555-1	6790-1	7016-1	7035-1	6793-1	0000	0000	0000	1084+0	1021+0	1117+0	1052+0	5735+2
	5031+0	5129+0	5313+0	5489+0	5504+0	5315+0	0000	0000	0000					5955+2
05	0000	0000	1875+0	2791+0	2227+0	2243+0	3405+0	3311+0	1420+1	1915+1	6853+0	2448+0	3689-1	5520+2
	0000	0000	9792-2	1458-1	1163-1	1171-1	1772-1	1729-1	7417-1	1084+C	1020+0	1113+0	1053+0	5735+2
	0000	0000	7661-1	1140+0	9098-1	9163-1	1391+0	1353+0	5603+0					5950+2

PROJ RUN GROUP CONF MACH X/D  
0626 0009 0118 0003 2000+0 1004+0

	1	2	3	4	5	6	7	8	9	Po	q	Pinf	Re	To
02	1352+0	3102-1	4210-1	3055-1	5493-1	1131+0	1357+0	1585+0	1714+0	2799+0	1002+0	3577-1	5436-2	5785+2
	4831-1	1108-1	1504-1	1092-1	1963-1	4043-1	4849-1	5664-1	6124-1	2529-1	2642-1	2558-1	2728-1	5570+2
	3779+0	8671-1	1177+0	8542-1	1536+0	3163+0	3795+0	4432+0	4791+0					5590+2
03	8705-1	2548-1	2629-1	2606-1	2611-1	2645-1	2665-1	2939-1	5412-1	2822+0	1009+0	3607-1	5482-2	5785+2
	3085-1	9031-2	9316-2	9235-2	9251-2	9371-2	9444-2	1041-1	1918-1	2550-1	2664-1	2575-1	2738-1	5570+2
	2413+0	7066-1	7289-1	7225-1	7238-1	7332-1	7389-1	8148-1	1500+0					5600+2
04	1194+0	1637+0	1505+0	1450+0	1620+0	1756+0	0000	0000	0000	2831+0	1013+0	3619-1	5493-2	5790+2
	4218-1	5783-1	5314-1	5122-1	5722-1	6202-1	0000	0000	0000	2558-1	2681-1	2588-1	2752-1	5570+2
	3300+0	4525+0	4158+0	4007+0	4477+0	4852+0	0000	0000	0000					5600+2
05	0000	0000	2990-1	4004-1	3561-1	4154-1	5165-1	5007-1	0000	2817+0	1008+0	3601-1	5459-2	5795+2
	0000	0000	1061-1	1421-1	1264-1	1474-1	1833-1	1777-1	0000	2556-1	2670-1	2581-1	2744-1	5580+2
	0000	0000	8304-1	1112+0	9889-1	1154+0	1434+0	1391+0	0000					5610+2

PROJ RUN GROUP COMP MACH I/D  
0626 0009 0119 0003 2000+0 1984+0

	1	2	3	4	5	6	7	8	9	Po	q	Plnf	Re	To
02	2092+0	7744-1	7360-1	1149+0	1550+0	1987+0	2086+0	2082+0	2039+0	2799+0	1002+0	3577-1	5410-2	5805+2
	7475-1	2767-1	2629-1	4108-1	5539-1	7101-1	7455-1	7438-1	7286-1	1633-1	1677-1	1669-1	1714-1	5770+2
	5849+0	2165+0	2058+0	3214+0	4334+0	5556+0	5833+0	5819+0	5700+0					6040+2
03	1802+0	1402+0	8112-1	7936-1	8962-1	1274+0	1625+0	1966+0	1832+0	2825+0	1011+0	3611-1	5461-2	5805+2
	6377-1	4962-1	2871-1	2809-1	3172-1	4509-1	5754-1	6960-1	6484-1	1653-1	1691-1	1686-1	1729-1	5775+2
	4989+0	3883+0	2247+0	2198+0	2482+0	3528+0	4502+0	5446+0	5073+0					6045+2
04	1782+0	1702+0	1589+0	1617+0	1649+0	1679+0	0000	0000	0000	2833+0	1014+0	3621-1	5477-2	5805+2
	6291-1	6008-1	5608-1	5709-1	5820-1	5926-1	0000	0000	0000	1656-1	1691-1	1689-1	1733-1	5780+2
	4922+0	4701+0	4388+0	4467+0	4554+0	4637+0	0000	0000	0000					6045+2
05	0000	0000	3021-1	4023-1	3570-1	4174-1	5250-1	4955-1	0000	2838+0	1015+0	3627-1	5486-2	5805+2
	0000	0000	1065-1	1418-1	1259-1	1471-1	1850-1	1746-1	0000	1667-1	1702-1	1698-1	1734-1	5785+2
	0000	0000	8329-1	1109+0	9845-1	1151+0	1448+0	1366+0	0000					6050+2

PROJ RUN GROUP COMP MACH I/D  
0626 0009 0120 0003 2000+0 2975+0

	1	2	3	4	5	6	7	8	9	Po	q	Plnf	Re	To
02	2039+0	1031+0	8987-1	1233+0	1492+0	1833+0	2008+0	2023+0	2023+0	2808+0	1005+0	3589-1	5422-2	5810+2
	7262-1	3672-1	3201-1	4392-1	5314-1	6528-1	7151-1	7205-1	7206-1	1623-1	1664-1	1672-1	1708-1	5770+2
	5682+0	2873+0	2504+0	3436+0	4159+0	5108+0	5595+0	5637+0	5638+0					5990+2
03	1869+0	1426+0	1060+0	1108+0	1173+0	1347+0	1595+0	1875+0	1888+0	2809+0	1005+0	3591-1	5425-2	5810+2
	6653-1	5076-1	3774-1	3945-1	4176-1	4795-1	5678-1	6675-1	6721-1	1634-1	1677-1	1678-1	1714-1	5770+2
	5205+0	3972+0	2953+0	3087+0	3267+0	3752+0	4442+0	5223+0	5259+0					5990+2
04	1840+0	1768+0	1690+0	1817+0	1909+0	1824+0	0000	0000	0000	2816+0	1008+0	3599-1	5437-2	5810+2
	6536-1	6279-1	6003-1	6453-1	6779-1	6477-1	0000	0000	0000	1645-1	1681-1	1670-1	1717-1	5770+2
	5114+0	4914+0	4697+0	5049+0	5304+0	5068+0	0000	0000	0000					5990+2
05	0000	0000	2998-1	3999-1	3527-1	4124-1	5168-1	4931-1	0000	2828+0	1012+0	3615-1	5455-2	5815+2
	0000	0000	1059-1	1414-1	1247-1	1458-1	1827-1	1744-1	0000	1652-1	1691-1	1677-1	1733-1	5770+2
	0000	0000	8293-1	1106+0	9757-1	1141+0	1429+0	1364+0	0000					5990+2

PROJ	RUN	GROUP	CONF	MACH	X/D	1	2	3	4	5	6	7	8	9	Po	q	Pinf	Re	To	
0626	0009	0121	0003	2000+0	4729+0															
02	1916+0	1250+0	1076+0	1346+0	1498+0	1686+0	1827+0	1915+0	1971+0	2836+0	1015+0	3625-1	5469-2	5815+2						
	6735-1	4408-1	3793-1	4745-1	5280-1	5944-1	6441-1	6753-1	6931-1	1622-1	1656-1	1669-1	1714-1	5715+2	5910+2					
	5285+0	3449+0	2968+0	3712+0	4131+0	4651+0	5039+0	5283+0	5439+0											
03	1899+0	1474+0	1274+0	1328+0	1374+0	1441+0	1567+0	1755+0	1881+0	2835+0	1014+0	3623-1	5466-2	5815+2						
	6698-1	5199-1	4493-1	4684-1	4848-1	5085-1	5529-1	6191-1	6637-1	1647-1	1681-1	1688-1	1734-1	5715+2	5910+2					
	5241+0	4068+0	3516+0	3665+0	3793+0	3979+0	4326+0	4844+0	5193+0											
04	1893+0	1834+0	1757+0	1831+0	1959+0	1899+0	0000	0000	0000	2838+0	1015+0	3627-1	5472-2	5815+2						
	6672-1	6462-1	6190-1	6453-1	6907-1	6693-1	0000	0000	0000	1648-1	1689-1	1689-1	1736-1	5715+2	5910+2					
	5220+0	5056+0	4843+0	5049+0	5404+0	5237+0	0000	0000	0000											
05	0000	0000	3021-1	4008-1	3532-1	4126-1	5173-1	4838-1	0000	2824+0	1010+0	3609-1	5445-2	5815+2						
	0000	0000	1069-1	1419-1	1251-1	1461-1	1832-1	1713-1	0000	1648-1	1686-1	1670-1	1736-1	5720+2	5915+2					
	0000	0000	8371-1	1111+0	9786-1	1143+0	1433+0	1341+0	0000											

PROJ	RUN	GROUP	CONF	MACH	X/D	1	2	3	4	5	6	7	8	9	Po	q	Pinf	Re	To	
0626	0009	0122	0003	2000+0	7039+0															
02	1902+0	1439+0	1263+0	1476+0	1556+0	1671+0	1784+0	1568+0	1961+0	2824+0	1010+0	3609-1	5445-2	5815+2						
	6735-1	5095-1	4473-1	5227-1	5509-1	5915-1	6318-1	6614-1	6946-1	1614-1	1647-1	1670-1	1711-1	5705+2	5860+2					
	5269+0	3986+0	3499+0	4090+0	4311+0	4631+0	4944+0	5175+0	5435+0											
03	1854+0	1602+0	1448+0	1481+0	1513+0	1556+0	1632+0	1724+0	1821+0	2816+0	1008+0	3599-1	5430-2	5815+2						
	6583-1	5690-1	5141-1	5261-1	5373-1	5525-1	5795-1	6122-1	6467-1	1650-1	1586-1	1691-1	1736-1	5705+2	5865+2					
	5151+0	4452+0	4023+0	4117+0	4204+0	4323+0	4534+0	4739+0	5059+0											
04	1862+0	1818+0	1770+0	1799+0	1958+0	1912+0	0000	0000	0000	2816+0	1008+0	3599-1	5430-2	5815+2						
	6613-1	6457-1	6287-1	6389-1	6952-1	6792-1	0000	0000	0000	1652-1	1691-1	1679-1	1736-1	5710+2	5865+2					
	5174+0	5052+0	4919+0	4999+0	5439+0	5314+0	0000	0000	0000											
05	0000	0000	3007-1	4008-1	3549-1	4146-1	5225-1	4596-1	0000	2817+0	1003+0	3601-1	5427-2	5820+2						
	0000	0000	1067-1	1423-1	1259-1	1472-1	1855-1	1773-1	0000	1658-1	1698-1	1697-1	1742-1	5710+2	5865+2					
	0000	0000	8351-1	1113+0	9855-1	1152+0	1451+0	1388+0	0000											

EROJ RUN GROUP CON7 MACH X/D  
0626 0009 0123 0003 2000+0 7950+0

	1	2	3	4	5	6	7	8	9	Po	q	Pinf	Re	To
02	1921+0	1493+0	1366+0	1513+0	157+0	1666+0	1759+0	1861+0	1978+0	2824+0	1010+0	5509-1	5439-2	5820+2
	6804-1	5288-1	4838-1	5357-1	5562-1	5902-1	6230-1	6589-1	7004-1	1627-1	1661-1	1679-1	1711-1	5665+2
	5324+0	4138+0	3786+0	4192+0	4352+0	4618+0	4875+0	5156+0	5480+0					5805+2
03	1878+0	1651+0	1503+0	1527+0	1556+0	1601+0	1677+0	1763+0	1846+0	2829+0	1013+0	5617-1	5451-2	5820+2
	6635-1	5833-1	5312-1	5398-1	5495-1	5658-1	5925-1	6231-1	6525-1	1645-1	1679-1	1692-1	1723-1	5665+2
	5192+0	4564+0	4156+0	4223+0	4301+0	4427+0	4636+0	4876+0	5105+0					5805+2
04	1884+0	1859+0	1803+0	1828+0	1953+0	1909+0	0000	0000	0000	2824+0	1010+0	3609-1	5439-2	5820+2
	6672-1	6585-1	6384-1	6474-1	6917-1	6759-1	0000	0000	0000	1655-1	1689-1	1703-1	1734-1	5665+2
	5220+0	5153+0	4995+0	5065+0	5412+0	5289+0	0000	0000	0000					5805+2
05	0000	0000	3025-1	4018-1	3561-1	4160-1	5339-1	5040-1	0000	2225+0	1011+0	3611-1	5442-2	5820+2
	0000	0000	1071-1	1422-1	1261-1	1473-1	1890-1	1784-1	0000	1666-1	1697-1	1705-1	1745-1	5665+2
	0000	0000	8379-1	1113+0	9863-1	1152+0	1479+0	1396+0	0000					5805+2

PROJ RUN GROUP CON7 MACH X/D  
0626 0009 0124 0003 3000+0 1015+0

	1	2	3	4	5	6	7	8	9	Po	q	Pinf	Re	To
02	4975+0	2156+0	4412+0	4737+0	4444+0	4236+0	6064+0	7532+0	1054+1	4328+1	7423+0	1178+0	5023-1	5820+2
	1149-1	4982-2	1019-1	1094-1	9575-2	1119-1	1401-1	1740-1	2434-1	2263-1	2425-1	2392-1	2514-1	6075+2
	4222+0	1829+0	3745+0	4019+0	3517+0	4113+0	5446+0	6392+0	2942+0					
03	6547+0	3053+0	1978+0	1325+0	1089+0	2471+0	3287+0	9437+0	7168+0	4329+1	7426+0	1179+0	5025-1	5820+2
	1512-1	7052-2	4569-2	3059-2	2514-2	5706-2	8977-2	2179-1	1656-1	2263-1	2434-1	2405-1	2514-1	6075+2
	5554+0	2590+0	1678+0	1124+0	9235-1	2096+0	3297+0	8006+0	6081+0					
04	6596+0	6425+0	6759+0	9747+0	1215+1	1390+1	0000	0000	0000	4341+1	7445+0	1182+0	5037-1	5820+2
	1519-1	1480-1	1557-1	2245-1	2799-1	3203-1	0000	0000	0000	2278-1	2434-1	2402-1	2527-1	6020+2
	5582+0	5437+0	5719+0	8248+0	1028+1	1177+1	0000	0000	0000					6075+2
05	0000	0000	9764-1	1244+0	1167+0	1056+0	1635+0	1815+0	0000	4345+1	7452+0	1183+0	5042-1	5820+2
	0000	0000	2247-2	2864-2	2686-2	2430-2	3759-2	4177-2	0000	2284-1	2456-1	2406-1	2529-1	6020+2
	0000	0000	8255-1	1052+0	9866-1	8927-1	1381+0	1534+0	0000					6050+2

PROJ RUN GROUP CONF EACH X/D  
0626 0009 0125 0003 3000+0 1984+0

1	2	3	4	5	6	7	8	9	10	11	12	13	14	15	16	17	18	19	20	
02	1345+1	4899+0	5426+0	7075+0	1028+1	1301+1	8638+0	7543+0	8827+0	4331+1	7429+0	1173+0	5046-1	5895+2						
	3106-1	1131-1	1253-1	1633-1	2372-1	3003-1	2040-1	1742-1	2038-1	2016-1	2233-1	2181-1	2333-1	5850+2	6435+2					
	1141+1	4155+0	4601+0	5999+0	8714+0	1103+1	7495+0	6397+0	7485+0											

1	2	3	4	5	6	7	8	9	10	11	12	13	14	15	16	17	18	19	20	
03	9501+0	1311+1	5013+0	4614+0	7839+0	1129+1	1302+1	1118+1	9630+0	4339+1	7442+0	1181+0	5042-1	5810+2						
	2189-1	3022-1	1155-1	1063-1	1807-1	2602-1	2939-1	2576-1	2213-1	2036-1	2256-1	2153-1	2331-1	5855+2	6445+2					
	8043+0	1110+1	4244+0	3906+0	6636+0	9558+0	1102+1	9462+0	8152+0											

1	2	3	4	5	6	7	8	9	10	11	12	13	14	15	16	17	18	19	20	
04	9218+0	9218+0	9123+0	9285+0	1043+1	1059+1	0000	0000	0000	4338+1	7439+0	1125+0	5040-1	5815+2						
	2125-1	2125-1	2117-1	2141-1	2406-1	2422-1	0000	0000	0000	2020-1	2223-1	2111-1	2331-1	5860+2	6445+2					
	7806+0	7806+0	7777+0	7863+0	8836+0	8871+0	0000	0000	0000											

1	2	3	4	5	6	7	8	9	10	11	12	13	14	15	16	17	18	19	20	
05	0000	0000	9717-1	1235+0	1153+0	1047+0	1625+0	1795+0	0000	4329+1	7425+0	1173+0	5037-1	5810+2						
	0000	0000	2245-2	2856-2	2697-2	2452-2	3753-2	4147-2	0000	2025-1	2244-1	2152-1	2327-1	5855+2	6440+2					
	0000	0000	8245-1	1019+0	9869-1	8857-1	1379+0	1523+0	0000											

PROJ RUN GROUP CONF EACH X/D  
0626 0009 0126 0003 3000+0 2575+0

1	2	3	4	5	6	7	8	9	10	11	12	13	14	15	16	17	18	19	20	
02	1311+1	5735+0	5908+0	6989+0	8013+0	1117+1	1325+1	1394+1	1443+1	4345+1	7452+0	1123+0	5052-1	5810+2						
	3016-1	1320-1	1359-1	1609-1	1844-1	2571-1	3042-1	3208-1	3321-1	2022-1	2236-1	2148-1	2333-1	5725+2	6230+2					
	1108+1	4849+0	4995+0	5909+0	6774+0	9445+0	1119+1	1178+1	1220+1											

1	2	3	4	5	6	7	8	9	10	11	12	13	14	15	16	17	18	19	20	
03	1141+1	1294+1	6067+0	7574+0	1001+1	1266+1	1344+1	1173+1	1093+1	4333+1	7431+0	1179+0	5041-1	5810+2						
	2633-1	2987-1	1400-1	1748-1	2309-1	2921-1	3095-1	2706-1	2522-1	2052-1	2241-1	2145-1	2335-1	5720+2	6255+2					
	9672+0	1097+1	5144+0	6421+0	8485+0	1073+1	1137+1	9941+0	9263+0											

1	2	3	4	5	6	7	8	9	10	11	12	13	14	15	16	17	18	19	20	
04	1244+1	1294+1	1282+1	1092+1	1022+1	1062+1	0000	0000	0000	4332+1	7430+0	1179+0	5040-1	5810+2						
	2871-1	2988-1	2960-1	2519-1	2359-1	2451-1	0000	0000	0000	2036-1	2242-1	2150-1	2334-1	5725+2	6230+2					
	1054+1	1098+1	1087+1	9256+0	8665+0	9002+0	0000	0000	0000											

1	2	3	4	5	6	7	8	9	10	11	12	13	14	15	16	17	18	19	20	
05	0000	0000	9734-1	1238+0	1165+0	1049+0	1630+0	1804+0	0000	4344+1	7445+0	1182+0	5050-1	5810+2						
	0000	0000	2242-2	2652-2	2685-2	2418-2	3755-2	4156-2	0000	2035-1	2252-1	2153-1	2333-1	5720+2	6155+2					
	0000	0000	8237-1	1042+0	9862-1	8883-1	1379+0	1526+0	0000											

PROJ RUN GROUP COMP PAGE X/D  
0626 0009 0127 0003 3000+C 4965+C

	1	2	3	4	5	6	7	8	9	Fo	q	Pinf	Re	To
02	1043+1	7015+0	6574+0	7303+0	7739+0	8555+0	1054+1	1233+1	1373+1	4347+1	7456+0	1183+0	5051-1	5815+2
	2399-1	1613-1	1512-1	1650-1	1760-1	1968-1	2424-1	2853-1	3458-1	2019-1	2219-1	2155-1	2342-1	5775+2
	8815+0	5927+0	5555+C	6171+0	6539+0	7229+0	8903+0	1064+1	1160+1					5945+2
03	1179+1	1266+1	8129+0	9801+0	1152+1	1283+1	1269+1	1123+1	1140+1	4336+1	7437+C	1180+0	5038-1	5815+2
	2719-1	2920-1	1875-1	2260-1	2657-1	2959-1	2928-1	2599-1	2829-1	2020-1	2225-1	2148-1	2352-1	5775+2
	9988+0	1073+1	6886+0	8303+0	9761+0	1087+1	1076+1	9505+0	9658+0					5945+2
04	1268+1	1327+1	1349+1	1373+1	1259+1	1357+1	0000	0000	0000	4345+1	7452+0	1183+0	5048-1	5815+2
	2918-1	3054-1	3106-1	3159-1	2968-1	3124-1	0000	0000	0000	2031-1	2258-1	2147-1	2353-1	5775+2
	1072+1	1122+1	1141+1	1161+1	1090+1	1147+1	0000	0000	0000					5945+2
05	0000	0000	9734-1	1237+0	1165+0	1051+0	1633+0	1505+0	0000	4333+1	7431+C	1179+0	5035-1	5815+2
	0000	0000	2247-2	2855-2	2682-2	2426-2	3769-2	4155-2	0000	2023-1	2231-1	2147-1	2352-1	5775+2
	0000	0000	8252-1	1049+0	9873-1	8912-1	1385+0	1529+0	0000					5945+2

PROJ RUN GROUP COMP PAGE X/D  
0626 0009 0128 0003 3000+C 6955+C

	1	2	3	4	5	6	7	8	9	Po	q	Pinf	Re	To
02	9169+0	8226+0	7494+0	7852+0	7939+0	8203+0	9039+0	1069+1	1335+1	4333+1	7431+0	1179+0	5035-1	5815+2
	2116-1	1899-1	1729-1	1812-1	1832-1	1993-1	2086-1	2514-1	3087-1	2050-1	2231-1	2141-1	2353-1	5920+2
	7773+0	6974+0	6353+0	6657+0	6731+0	6954+0	7663+0	9233+0	1134+1					5925+2
03	1205+1	1233+1	9197+0	1058+1	1191+1	1260+1	1190+1	1113+1	1178+1	4335+1	7434+0	1180+0	5037-1	5815+2
	2779-1	2846-1	2122-1	2442-1	2748-1	2907-1	2745-1	2568-1	2719-1	2044-1	2256-1	2147-1	2361-1	5820+2
	1021+1	1045+1	7794+0	8969+0	1009+1	1068+1	1008+1	9434+0	9956+0					5925+2
04	1250+1	1312+1	1299+1	1331+1	1248+1	1303+1	0000	0000	0000	4325+1	7418+0	1177+0	5026-1	5815+2
	2891-1	3034-1	3003-1	3076-1	2886-1	3014-1	0000	0000	0000	2053-1	2238-1	2147-1	2356-1	5820+2
	1062+1	1114+1	1103+1	1130+1	1060+1	1107+1	0000	0000	0000					5925+2
05	0000	0000	9725-1	1236+C	1165+0	1046+0	1629+0	1509+0	0000	4340+1	7444+0	1182+0	5043-1	5815+2
	0000	0000	2241-2	2849-2	2684-2	2415-2	3754-2	4169-2	0000	2047-1	2239-1	2150-1	2367-1	5820+2
	0000	0000	8231-1	1046+0	9857-1	8871-1	1379+0	1531+0	0000					5925+2



PROJ	RUN	GROUP	CONF	MACH	X/D	1	2	3	4	5	6	7	8	9	Po	q	Pinf	Re	To	
0626	0009	0129	0003	3000+0	7950+0															
02	9089+0	8737+0	7556+0	8279+0	8223+0	8291+0	8636+0	1029+1	1305+1	4319+1	7+07+0	1176+0	5012-1	5820+2						
	2105-1	2023-1	1849-1	1917-1	1904-1	1919-1	2046-1	2383-1	3031-1	2025-1	2234-1	2148-1	2363-1	5825+2						
	7731+0	7431+0	6792+0	7041+0	6994+0	7052+0	7515+0	8754+0	1113+1											
03	1209+1	1229+1	9535+0	1087+1	1210+1	1248+1	1176+1	1133+1	1208+1	4309+1	7391+0	1173+0	5001-1	5820+2						
	2808-1	2852-1	2212-1	2521-1	2808-1	2896-1	2728-1	2828-1	2803-1	2031-1	2241-1	2145-1	2363-1	5825+2						
	1031+1	1048+1	8127+0	9262+0	1031+1	1064+1	1002+1	9654+0	1029+1											
04	1255+1	1310+1	1250+1	1312+1	1256+1	1319+1	0000	0000	0000	4329+1	7426+0	1179+0	5025-1	5820+2						
	2899-1	3027-1	2888-1	3031-1	2900-1	3046-1	0000	0000	0000	2048-1	2256-1	2148-1	2356-1	5825+2						
	1065+1	1112+1	1061+1	1113+1	1065+1	1119+1	0000	0000	0000											
05	0000	0000	9708-1	1236+0	1162+0	1048+0	1625+0	1798+0	0000	4335+1	7436+0	1180+0	5031-1	5820+2						
	0000	0000	2239-2	2849-2	2681-2	2415-2	3749-2	4146-2	0000	2027-1	2248-1	2133-1	2356-1	5825+2						
	0000	0000	8225-1	1047+0	9848-1	8881-1	1377+0	1523+0	0000											

PROJ	RUN	GROUP	CONF	MACH	X/D	1	2	3	4	5	6	7	8	9	Po	q	Pinf	Re	To	
0626	0009	0130	0003	2980+0	1007+0															
02	7944-1	2892-1	4411-1	8388-1	5908-1	6478-1	7582-1	9855-1	1386+0	5965+0	1040+0	1674-1	7005-2	5815+2						
	1332-1	4848-2	7395-2	1406-1	9903-2	1066-1	1271-1	1652-1	2324-1	3203-2	4078-2	3422-2	5234-2	5780+2						
	4747+0	1728+0	2636+0	5012+0	3529+0	3871+0	4530+0	5889+0	5263+0											
03	1152+0	7466-1	2989-1	2193-1	1677-1	3488-1	1076+0	1297+0	1162+0	5972+0	1041+0	1675-1	7012-2	5815+2						
	1928-1	1250-1	5005-2	3672-2	2809-2	5841-2	1802-1	2171-1	1946-1	3297-2	4172-2	3563-2	5328-2	5540+2						
	6874+0	4456+0	1784+0	1309+0	1001+0	2082+0	6422+0	7739+0	6935+0											
04	1166+0	1122+0	1057+0	1209+0	1487+0	1794+0	0000	0000	0000	5987+0	1044+0	1679-1	7030-2	5815+2						
	1948-1	1874-1	1766-1	2021-1	2484-1	2997-1	0000	0000	0000	3297-2	4219-2	3688-2	5344-2	5540+2						
	6944+0	6681+0	6294+0	7202+0	8855+0	1066+1	0000	0000	0000											
05	0000	0000	1544-1	1812-1	1777-1	1898-1	2326-1	2651-1	0000	5986+0	1044+0	1679-1	7028-2	5815+2						
	0000	0000	2579-2	3028-2	2968-2	3170-2	3885-2	4423-2	0000	3359-2	4313-2	3625-2	5406-2	5540+2						
	0000	0000	9196-1	1079+0	1058+0	1130+0	1385+0	1579+0	0000											

PROJ RUN GROUP CONF MACH X/D  
0626 0009 0131 0003 2980+0 1984+0

	1	2	3	4	5	6	7	8	9	q	Pinf	Re	To
02	1895+0	7420-1	6815-1	1682+0	1337+0	1720+0	1889+0	1029+0	1198+0	5976+0	1677-1	7017-2	5815+2
	3170-1	1242-1	1140-1	1810-1	2237-1	2878-1	3161-1	1723-1	2004-1	3047-2	3234-2	5047-2	5660+2
	1130+1	4426+0	4064+0	6452+0	7974+0	1026+1	1127+1	6142+0	7143+0				5855+2
03	1395+0	1852+0	7412-1	7324-1	1156+0	1677+0	1816+0	1683+0	1501+0	5969+0	1674-1	7017-2	5810+2
	2338-1	3102-1	1242-1	1227-1	1937-1	2809-1	3043-1	2820-1	2515-1	3125-2	3344-2	5078-2	5660+2
	8334+0	1106+1	4427+0	4374+0	6904+0	1001+1	1084+1	1005+1	8365+0				5855+2
04	1330+0	1173+0	1154+0	1206+0	1326+0	1431+0	0000	0000	0000	5975+0	1676-1	7025-2	5810+2
	2226-1	1963-1	1932-1	2018-1	2219-1	2395-1	0000	0000	0000	3172-2	3406-2	5125-2	5660+2
	7936+0	6997+0	6887+0	7194+0	7911+0	8539+0	0000	0000	0000				5855+2
05	0000	0000	1533-1	1802-1	1761-1	1889-1	2309-1	2617-1	0000	5973+0	1676-1	7023-2	5810+2
	0000	0000	2567-2	3016-2	2948-2	3164-2	3865-2	4381-2	0000	3203-2	3500-2	5156-2	5660+2
	0000	0000	9151-1	1075+0	1051+0	1128+0	1378+0	1562+0	0000				5855+2

PROJ RUN GROUP CONF MACH X/D  
0626 0009 0132 0003 2980+0 2975+0

	1	2	3	4	5	6	7	8	9	q	Pinf	Re	To
02	1837+0	8413-1	7334-1	1033+0	1193+0	1420+0	1755+0	1997+0	1996+0	5965+0	1674-1	7014-2	5810+2
	3079-1	1410-1	1229-1	1731-1	1999-1	2381-1	2541-1	3130-1	3346-1	3094-2	3113-2	5063-2	5710+2
	1098+1	5027+0	4382+0	6170+0	7126+0	8487+0	1048+1	1134+1	1193+1				5815+2
03	1652+0	1856+0	8765-1	1033+0	1380+0	1703+0	1863+0	1835+0	1717+0	5967+0	1674-1	7015-2	5810+2
	2769-1	3109-1	1469-1	1731-1	2313-1	2854-1	3121-1	3075-1	2577-1	3063-2	3359-2	5078-2	5710+2
	9871+0	1108+1	5236+0	6168+0	8246+0	1017+1	1113+1	1096+1	1026+1				5315+2
04	1595+0	1559+0	1571+0	1449+0	1405+0	1381+0	0000	0000	0000	5961+0	1672-1	7008-2	5810+2
	2876-1	2616-1	2635-1	2432-1	2357-1	2317-1	0000	0000	0000	3078-2	3406-2	5141-2	5710+2
	9338+0	9325+0	9394+0	8667+0	8403+0	8261+0	0000	0000	0000				5815+2
05	0000	0000	1535-1	1789-1	1758-1	1674-1	2298-1	2577-1	0000	5948+0	1669-1	7002-2	5805+2
	0000	0000	2581-2	3008-2	2956-2	3151-2	3863-2	4332-2	0000	3219-2	3453-2	5156-2	5710+2
	0000	0000	9199-1	1072+0	1053+0	1123+0	1377+0	1544+0	0000				5815+2

PROJ RUN GROUP CONF MACH X/D  
0626 0009 0133 0003 29804C 496540

	1	2	3	4	5	6	7	8	9	q	Pinf	Re	To	
02	1196+0	9547-1	8110-1	1042+0	1129+0	1235+0	1393+0	1675+0	1883+0	5331+0	1034+0	1664-1	6982-2	5805+2
	2523-1	1609-1	1367-1	1757-1	1903-1	2082-1	2349-1	2825-1	3175-1	3078-2	4000-2	3344-2	5063-2	5760+2
	8993+0	5737+0	4874+0	6662+0	6785+0	7422+0	8372+0	1007+1	1132+1					5685+2
03	1704+0	1779+0	1051+0	1255+0	1478+0	1663+0	1767+0	1779+0	1730+0	5928+0	1034+0	1663-1	6978-2	5805+2
	2874-1	3003-1	1773-1	2117-1	2493-1	2805-1	2951-1	3001-1	2918-1	3172-2	4094-2	3406-2	5141-2	5760+2
	1024+1	1070+1	6320+0	7547+0	8888+0	9997+0	1062+1	1069+1	1040+1					5685+2
04	1656+0	1591+0	1626+0	1765+0	1777+0	1851+0	0000	0000	0000	5949+0	1038+0	1669-1	7013-2	5800+2
	2784-1	2673-1	2732-1	2966-1	2986-1	3111-1	0000	0000	0000	3203-2	4156-2	3516-2	5141-2	5760+2
	9923+0	9529+0	9739+0	1057+1	1064+1	1109+1	0000	0000	0000					5685+2
05	0000	0000	1533-1	1811-1	1758-1	1902-1	2309-1	2616-1	0000	6006+0	1047+0	1685-1	7079-2	5800+2
	0000	0000	2553-2	3015-2	2927-2	3168-2	3644-2	4355-2	0000	3203-2	4172-2	3438-2	5141-2	5760+2
	0000	0000	9101-1	1075+0	1043+0	1129+0	1370+0	1552+0	0000					5690+2

PROJ RUN GROUP CONF MACH X/D  
0626 0009 0134 0003 292040 695540

	1	2	3	4	5	6	7	8	9	q	Pinf	Re	To	
02	1388+0	1105+0	9375-1	1143+0	1152+0	1240+0	1325+0	1511+0	1866+0	5943+0	1035+0	1669-1	7013-2	5800+2
	2332-1	1857-1	1576-1	1921-1	1986-1	2085-1	2226-1	2540-1	3136-1	3031-2	4000-2	3313-2	5047-2	5780+2
	8313+0	6620+0	5616+0	6846+0	7079+0	7431+0	7936+0	9054+0	1118+1					5610+2
03	1733+0	1779+0	1195+0	1374+0	1553+0	1691+0	1775+0	1795+0	1767+0	5931+0	1034+0	1664-1	6991-2	5800+2
	2922-1	3001-1	2015-1	2316-1	2618-1	2852-1	2992-1	3031-1	2979-1	3094-2	4031-2	3453-2	5078-2	5780+2
	1042+1	1069+1	7182+0	8256+0	9331+0	1016+1	1067+1	1080+1	1062+1					5610+2
04	1714+0	1639+0	1630+0	1743+0	1767+0	1839+0	0000	0000	0000	5964+0	1040+0	1673-1	7039-2	5795+2
	2874-1	2748-1	2734-1	2922-1	2962-1	3084-1	0000	0000	0000	3203-2	4076-2	3563-2	5141-2	5780+2
	1024+1	9795+0	9744+0	1042+1	1056+1	1099+1	0000	0000	0000					5610+2
05	0000	0000	1535-1	1803-1	1767-1	1889-1	2313-1	2599-1	0000	6003+0	1047+0	1684-1	7076-2	5800+2
	0000	0000	2557-2	3004-2	2944-2	3148-2	3853-2	4329-2	0000	3219-2	4182-2	3531-2	5141-2	5785+2
	0000	0000	9115-1	1071+0	1049+0	1122+0	1374+0	1543+0	0000					5610+2

PROJ RUN GROUP CONF PACH X/D  
0626 0009 0135 0003 2950+0 7950+0

	1	2	3	4	5	6	7	8	9	Po	q	Pinf	Re	To
02	1350+0	1176+0	9657-1	1193+0	1213+0	1235+0	1304+0	1451+0	1325+0	5931+0	1034+0	1664-1	7000-2	5795+2
	2291-1	1983-1	1662-1	2012-1	2045-1	2087-1	2198-1	2446-1	3077-1	3000-2	3891-2	3156-2	4875-2	5730+2
	8167+0	7067+0	5924+0	7172+0	7288+0	7441+0	7835+0	8718+0	1097+1					5600+2
03	1723+0	1795+0	1254+0	1421+0	1588+0	1709+0	1785+0	1802+0	1763+0	5939+0	1036+0	1666-1	7009-2	5795+2
	2901-1	3022-1	2111-1	2393-1	2674-1	2876-1	3005-1	3035-1	2968-1	3047-2	3969-2	3328-2	4953-2	5780+2
	1034+1	1077+1	7524+0	8531+0	9533+0	1026+1	1071+1	1082+1	1056+1					5595+2
04	1716+0	1647+0	1633+0	1784+0	1844+0	1891+0	0000	0000	0000	5955+0	1038+0	1671-1	7028-2	5795+2
	2882-1	2767-1	2751-1	2997-1	3096-1	3175-1	0000	0000	0000	3063-2	4016-2	3375-2	5047-2	5785+2
	1027+1	9862+0	9805+0	1068+1	1104+1	1132+1	0000	0000	0000					5595+2
05	0000	0000	1530-1	1799-1	1756-1	1874-1	2285-1	2575-1	0000	5994+0	1045+0	1681-1	7074-2	5795+2
	0000	0000	2553-2	3003-2	2931-2	3127-2	3813-2	4297-2	0000	3203-2	4094-2	3531-2	5141-2	5785+2
	0000	0000	9102-1	1070+0	1045+0	1115+0	1359+0	1532+0	0000					5595+2

PROJ RUN GROUP CONF PACH X/D  
0626 0009 0136 0003 3990+0 1007+0

	1	2	3	4	5	6	7	8	9	Po	q	Pinf	Re	To
02	5716-1	2633-1	3030-1	4462-1	3509-1	4012-1	5545-1	8055-1	1390+0	1380+1	1026+0	9211-2	9489-2	5840+2
	4142-2	1908-2	2156-2	3231-2	2543-2	2907-2	4018-2	5859-2	1007-1	1500-2	1828-2	1344-2	2781-2	5640+2
	6206+0	2858+0	3289+0	4845+0	3811+0	4356+0	6020+0	8778+0	1509+1					5670+2
03	8094-1	1748-1	2365-1	1540-1	7952-2	7189-2	3099-1	8660-1	8274-1	1378+1	1025+0	9201-2	9479-2	5840+2
	5871-2	1268-2	1716-2	1117-2	5768-3	5215-3	2248-2	6283-2	6002-2	1500-2	1891-2	1500-2	2859-2	5640+2
	8797+0	1900+0	2570+0	1674+0	8642-1	7813-1	3368+0	9413+0	5993+0					5675+2
04	7961-1	8069-1	8124-1	9530-1	1518+0	2003+0	0000	0000	0000	1375+1	1023+0	9179-2	9445-2	5845+2
	5789-2	5867-2	5907-2	6925-2	1104-1	1456-1	0000	0000	0000	1531-2	1906-2	1500-2	2875-2	5640+2
	8673+0	8789+0	8849+0	1038+1	1654+1	2182+1	0000	0000	0000					5680+2
05	0000	0000	9465-2	9297-2	9908-2	1024-1	1263-1	1573-1	0000	1371+1	1020+0	9154-2	9418-2	5845+2
	0000	0000	6502-3	6775-3	7225-3	7470-3	9210-3	1147-2	0000	1563-2	1969-2	1641-2	2891-2	5645+2
	0000	0000	1034+0	1016+0	1082+0	1119+0	1379+0	1719+0	0000					5680+2

PROJ	RUN	GROUP	CONF	MACH	X/D	1	2	3	4	5	6	7	8	9	Po	q	Pinf	Re	To	
0626	0009	0137	0003	3990+0	1958+0															
02	8422-1	5475-1	4816-1	7632-1	1065+0	1300+0	8271-1	9449-1	1159+0	1371+1	1020+0	5154-2	9431-2	5840+2						
	6141-2	3992-2	3511-2	5711-2	7768-2	9482-2	6031-2	6890-2	8670-2	1344-2	1781-2	1391-2	2766-2	5800+2	5815+2					
	9200+0	5981+0	5261+0	8556+0	1164+1	1421+1	9035+0	1032+1	1299+1											
03	1023+0	1263+0	5721-1	5408-1	6215-1	1071+0	1294+0	1218+0	1088+0	1373+1	1021+0	5154-2	9441-2	5840+2						
	7454-2	9201-2	4167-2	3939-2	4527-2	7798-2	9427-2	8872-2	7926-2	1391-2	1781-2	1344-2	2751-2	5800+2	5810+2					
	1117+1	1378+1	6242+0	5901+0	6782+0	1168+1	1412+1	1329+1	1187+1											
04	9101-1	8004-1	7772-1	8578-1	1224+0	1535+0	0000	0000	0000	1371+1	1020+0	5154-2	9431-2	5840+2						
	6636-2	5836-2	5667-2	6546-2	8922-2	1119-1	0000	0000	0000	1422-2	1813-2	1344-2	2734-2	5795+2	5810+2					
	9942+0	8743+0	8490+0	9508+0	1337+1	1677+1	0000	0000	0000											
05	0000	0000	9219-2	9203-2	9691-2	1019-1	1239-1	1547-1	0000	1373+1	1021+0	5164-2	9441-2	5840+2						
	0000	0000	6715-3	6703-3	7058-3	7428-3	9031-3	1127-2	0000	1438-2	1813-2	1469-2	2797-2	5795+2	5800+2					
	0000	0000	1006+0	1004+0	1057+0	1113+0	1353+0	1688+0	0000											

PROJ	RUN	GROUP	CONF	MACH	X/D	1	2	3	4	5	6	7	8	9	Po	q	Pinf	Re	To	
0626	0009	0138	0003	3990+0	2975+0															
02	1861+0	6848-1	5769-1	6324-1	1030+0	1599+0	1859+0	1875+0	1082+0	1573+1	1021+0	9464-2	9454-2	5835+2						
	1355-1	4988-2	4202-2	6062-2	7505-2	1165-1	1324-1	1365-1	7926-2	1221-2	1719-2	1328-2	2641-2	5690+2	5775+2					
	2030+1	7473+0	6296+0	9083+0	1124+1	1745+1	2029+1	2046+1	1187+1											
03	1173+0	1447+0	7451-1	8122-1	1041+0	1335+0	1456+0	1372+0	1228+0	1373+1	1021+0	9164-2	9454-2	5935+2						
	8540-2	1054-1	5427-2	5915-2	7584-2	9727-2	1060-1	1053-1	8943-2	1253-2	1688-2	1344-2	2672-2	5690+2	5770+2					
	1279+1	1579+1	8130+0	8863+0	1136+1	1457+1	1599+1	1503+1	1339+1											
04	1143+0	1045+0	1041+0	1069+0	1231+0	1307+0	0000	0000	0000	1373+1	1021+0	9164-2	9454-2	5835+2						
	8325-2	7612-2	7583-2	7783-2	8963-2	9522-2	0000	0000	0000	1313-2	1757-2	1375-2	2703-2	5690+2	5770+2					
	1247+1	1140+1	1136+1	1166+1	1343+1	1427+1	0000	0000	0000											
05	0000	0000	9481-2	9203-2	9722-2	1017-1	1238-1	1575-1	0000	1371+1	1020+0	9154-2	9455-2	5830+2						
	0000	0000	6913-3	6711-3	7089-3	7413-3	9030-3	1149-2	0000	1359-2	1813-2	1500-2	2797-2	5685+2	5765+2					
	0000	0000	1036+0	1005+0	1062+0	1111+0	1353+0	1720+0	0000											

PROJ	RUN	GROUP	CONF	MACH	X/D	1	2	3	4	5	6	7	8	9	Po	q	Pinf	Re	To	
0626	0009	0139	0003	3990+C	4961+0															
02	1680+0	8216-1	6793-2	8876-1	9815-1	1244+0	1632+0	1811+C	1885+0	1369+1	1019+0	9143-2	9444-2	5930+2						
	1227-1	5957-2	4959-2	6479-2	7165-2	9084-2	1491-1	1322-1	1376-1	1266-2	1632-2	1234-2	2609-2	5670+2						
	1838+1	5985+0	7429+C	9708+0	1074+1	1361+1	1785+1	1951+1	2062+1											
03	1489+0	1409+0	8964-1	1022+0	1183+0	1339+0	1479+0	1542+0	1513+0	1369+1	1019+0	9143-2	9444-2	5830+2						
	1067-1	1028-1	6544-2	7459-2	8632-2	9771-2	1079-1	1126-1	1104-1	1297-2	1750-2	1375-2	2641-2	5670+2						
	1628+1	1540+1	9804+C	1118+1	1293+1	1464+1	1618+1	1657+1	1654+1											
04	1456+0	1379+0	1401+0	1677+0	1537+0	1441+0	0000	0000	0000	1369+1	1019+0	9143-2	9444-2	5830+2						
	1063-1	1006-1	1023-1	1224-1	1122-1	1052-1	0000	0000	0000	1344-2	1781-2	1391-2	2703-2	5670+2						
	1592+1	1508+1	1532+1	1835+1	1621+1	1576+1	0000	0000	0000											
05	0000	0000	9373-2	9235-2	9675-2	1007-1	1238-1	1552-1	0000	1368+1	1016+0	9133-2	9433-2	5930+2						
	0000	0000	6850-3	6749-3	7071-3	7362-3	9051-3	1139-2	0000	1344-2	1797-2	1453-2	2765-2	5665+2						
	0000	0000	1026+C	1011+0	1055+0	1103+0	1356+0	1735+0	0000											

PROJ	RUN	GROUP	CONF	MACH	X/D	1	2	3	4	5	6	7	8	9	Po	q	Pinf	Re	To	
0626	0009	0140	0003	3990+0	6951+0															
02	1472+0	9169-1	7611-1	9509-1	1005+0	1141+0	1399+0	1675+0	1814+0	1368+1	1017+0	9122-2	9440-2	5825+2						
	1077-1	6705-2	5565-2	6953-2	7348-2	8342-2	1023-1	1225-1	1326-1	1234-2	1656-2	1141-2	2516-2	5665+2						
	1613+1	1005+1	5338+0	1042+1	1101+1	1249+1	1533+1	1836+1	1927+1											
03	1538+0	1379+0	9849-1	1096+0	1217+0	1339+0	1469+0	1533+0	1548+0	1369+1	1018+0	9132-2	9451-2	5825+2						
	1124-1	1007-1	7194-2	8004-2	8892-2	9783-2	1073-1	1135-1	1171-1	1219-2	1703-2	1250-2	2609-2	5665+2						
	1683+1	1509+1	1078+1	1199+1	1332+1	1466+1	1608+1	1699+1	1694+1											
04	1492+0	1409+0	1405+0	1663+0	1685+0	1676+0	0000	0000	0000	1367+1	1017+0	9123-2	9435-2	5825+2						
	1091-1	1031-1	1028-1	1217-1	1233-1	1226-1	0000	0000	0000	1266-2	1719-2	1250-2	2547-2	5665+2						
	1635+1	1545+1	1539+1	1823+1	1847+1	1837+1	0000	0000	0000											
05	0000	0000	9481-2	9203-2	9875-2	1009-1	1242-1	1564-1	0000	1367+1	1017+0	9123-2	9435-2	5825+2						
	0000	0000	6937-3	6734-3	7079-3	7382-3	9084-3	1144-2	0000	1313-2	1797-2	1422-2	2703-2	5665+2						
	0000	0000	1039+0	1009+0	1061+0	1106+0	1361+0	1714+0	0000											

PROJ	RUN	GROUP	CCNF	MACH	X/D	1	2	3	4	5	6	7	8	9	Po	q	P.inf	Re	To	
0626	0009	0141	0003	3950+0	7950+0															
02	1413+0	9555-1	7955-1	9848-1	1027+0	1133+0	1343+0	1645+0	1787+0	1365+1	1015+0	9112-2	9435-2	5820+2						
	1035-1	7000-2	5827-2	7214-2	7519-2	8299-2	9839-2	1183-1	1309-1	1250-2	1625-2	1219-2	2609-2	5655+2						
	1551+1	1049+1	8730+0	1081+1	1127+1	1283+1	1474+1	1772+1	1961+1											
03	1536+0	1376+0	1020+0	1115+0	1229+0	1344+0	1464+0	1549+0	1645+0	1367+1	1017+0	9123-2	9447-2	5820+2						
	1128-1	1007-1	7465-2	8161-2	8993-2	9834-2	1071-1	1133-1	1130-1	1219-2	1698-2	1234-2	2578-2	5655+2						
	1684+1	1509+1	1118+1	1223+1	1347+1	1473+1	1605+1	1698+1	1693+1											
04	1491+0	1421+0	1408+0	1642+0	1674+0	1682+0	0000	0000	0000	1366+1	1016+0	9117-2	9441-2	5820+2						
	1091-1	1040-1	1031-1	1202-1	1225-1	1231-1	0000	0000	0000	1266-2	1688-2	1250-2	2547-2	5655+2						
	1635+1	1558+1	1545+1	1801+1	1836+1	1845+1	0000	0000	0000											
05	0000	0000	9373-2	9203-2	9694-2	1015-1	1232-1	1536-1	0000	1367+1	1017+0	9123-2	9447-2	5820+2						
	0000	0000	6858-3	6734-3	7091-3	7427-3	9016-3	1139-2	0000	1313-2	1813-2	1453-2	2766-2	5655+2						
	0000	0000	1027+0	1009+0	1062+0	1113+0	1351+0	1706+0	0000											

PROJ	RUN	GROUP	CCNF	MACH	X/D	1	2	3	4	5	6	7	8	9	Po	q	P.inf	Re	To	
0626	0009	0142	0003	4030+0	1018+0															
02	2702+0	1322+0	1543+0	2092+0	1474+0	2014+0	2992+0	4723+0	8112+0	7402+1	5325+0	4684-1	4987-1	5840+2						
	3651-2	1867-2	2085-2	2626-2	1992-2	2722-2	4042-2	6361-2	1096-1	3047-2	5219-2	3078-2	6313-2	6100+2						
	5769+0	2949+0	3294+0	4466+0	3147+0	4301+0	6388+0	1008+1	1732+1											
03	3065+0	4249+0	1503+0	1766+0	1034+0	2862+0	5413+0	3223+0	3035+0	7381+1	5310+0	4671-1	4925-1	5830+2						
	4153-2	5758-2	2037-2	2393-2	1400-2	3878-2	7335-2	4366-2	4112-2	3031-2	5391-2	3281-2	6328-2	5920+2						
	6562+0	9098+0	3218+0	3752+0	2213+0	6128+0	1159+1	6895+0	6497+0											
04	2962+0	3332+0	4079+0	6771+0	9948+0	1155+1	0000	0000	0000	7301+1	5253+0	4620-1	4944-1	5820+2						
	4057-2	4564-2	5587-2	9274-2	1363-1	1583-1	0000	0000	0000	3297-2	5344-2	3266-2	6391-2	6050+2						
	6409+0	7212+0	8828+0	1465+1	2153+1	2501+1	0000	0000	0000											
05	0000	0000	4518-1	4534-1	4759-1	4566-1	6923-1	8066-1	0000	7287+1	5243+0	4611-1	4935-1	5820+2						
	0000	0000	6199-3	6223-3	6573-3	6266-3	9500-3	1107-2	0000	3281-2	5469-2	3297-2	6328-2	6050+2						
	0000	0000	9796-1	9833-1	1039+0	9901-1	1501+0	1749+0	0000											

PROJ RUN	GROUP	CONF	MACH	X/D	1	2	3	4	5	6	7	8	9	Po	q	Pinf	Re	To	
0626	0009	0143	0003	4030+0	1934+0														
02	4205+0	2297+0	2009+0	4154+0	2357+0	4299+0	4931+0	6269+0	7294+1	5248+0	4616-1	4959-1	5805+2						
	5765-2	3149-2	2756-2	3146-2	5695-2	1146-1	5895-2	6761-2	8595-2	3094-2	2584-2	6125-2	5835+2						5730+2
	9109+0	4975+0	4354+0	4971+0	8998+0	1810+1	9315+0	1068+1	1358+1										
03	4353+0	7402+0	2649+0	4194+0	6805+0	7463+0	7280+0	6442+0	4746+0	7299+1	5251+0	4962-1	5805+2						
	5964-2	1014-1	3629-2	5746-2	9324-2	1022-1	9975-2	8827-2	6503-2	3047-2	5250-2	3188-2	5830+2						5730+2
	9425+0	1603+1	5735+0	9079+0	1473+1	1616+1	1576+1	1395+1	1028+1										
04	4349+0	4360+0	4948+0	5239+0	7484+0	8037+0	0000	0000	0000	7308+1	5258+0	4625-1	5800+2						
	5951-2	5967-2	6770-2	7991-2	9831-2	1099-1	0000	0000	0000	2875-2	5266-2	3219-2	5830+2						5730+2
	9404+0	9428+0	1069+1	1263+1	1553+1	1738+1	0000	0000	0000										
05	0000	0000	4525-1	4531-1	4799-1	4579-1	6910-1	8082-1	0000	7322+1	5268+0	4634-1	5800+2						
	0000	0000	6180-3	6189-3	6554-3	9438-3	1104-2	0000	0000	3125-2	5344-2	3266-2	5830+2						
	0000	0000	9766-1	9779-1	1036+0	9884-1	1491+0	1744+0	0000										

PROJ RUN	GROUP	CONF	MACH	X/D	1	2	3	4	5	6	7	8	9	Po	q	Pinf	Re	To	
0626	0009	0144	0003	4030+0	2979+0														
02	9085+0	3217+0	2715+0	2658+0	3146+0	6907+0	9175+0	9524+0	5723+0	7299+1	5251+0	4619-1	5805+2						
	1245-1	4408-2	3720-2	3641-2	4309-2	9464-2	1257-1	1305-1	7841-2	2559-2	5094-2	3031-2	5625+2						
	1967+1	6965+0	5878+0	5754+0	6810+0	1495+1	1936+1	2062+1	1239+1										
03	7073+0	8208+0	5733+0	7534+0	8043+0	8308+0	8190+0	7291+0	7023+0	7296+1	5249+0	4617-1	5805+2						
	9694-2	1125-1	7857-2	1033-1	1102-1	1139-1	1123-1	9993-2	9626-2	3047-2	5172-2	3031-2	5970+2						
	1532+1	1778+1	1241+1	1632+1	1742+1	1799+1	1774+1	1579+1	1521+1										
04	7639+0	7972+0	6297+0	6127+0	6625+0	6837+0	0000	0000	0000	7257+1	5243+0	4611-1	5805+2						
	1048-1	1094-1	8642-2	8405-2	9092-2	9383-2	0000	0000	0000	3125-2	5422-2	3250-2	5970+2						5625+2
	1657+1	1729+1	1366+1	1329+1	1437+1	1483+1	0000	0000	0000										
05	0000	0000	4519-1	4525-1	4811-1	4566-1	6890-1	8027-1	0000	7259+1	5244+0	4613-1	5805+2						
	0000	0000	6199-3	6208-3	6599-3	6264-3	9453-3	1101-2	0000	3156-2	5375-2	3188-2	5975+2						
	0000	0000	9796-1	9809-1	1043+0	9898-1	1494+0	1740+0	0000										



PROJ	RUN	GROUP	CONF	MACH	X/D	1	2	3	4	5	6	7	8	9	Po	q	Pinf	Re	To	
0626	0009	0145	0003	4030+0	4955+0															
02	6423+0	6793+0	6121+0	5835+0	4814+0	4603+0	6822+0	9026+0	9849+0	7313+1	5261+0	4628-1	4976-1	5800+2						
	8783-2	9289-2	8371-2	7975-2	6583-2	6295-2	9329-2	1234-1	1347-1	2953-2	5219-2	2954-2	6297-2	5840+2	6110+2					
	1388+1	1468+1	1323+1	1261+1	1040+1	9547+0	1474+1	1950+1	2122+1											
03	8135+0	8217+0	7614+0	7845+0	8263+0	8329+0	8031+0	7637+0	7893+0	7310+1	5259+0	4626-1	4976-1	5800+2						
	1113-1	1124-1	1042-1	1074-1	1130-1	1139-1	1099-1	1045-1	1078-1	3109-2	5141-2	3156-2	6234-2	5840+2	6110+2					
	1758+1	1776+1	1646+1	1656+1	1786+1	1800+1	1736+1	1651+1	1704+1											
04	8605+0	8742+0	8701+0	9579+0	8684+0	7127+0	0000	0000	0000	7301+1	5253+0	4620-1	4969-1	5800+2						
	1179-1	1197-1	1192-1	1312-1	1189-1	9761-2	0000	0000	0000	3047-2	5203-2	3109-2	6328-2	5840+2	6110+2					
	1862+1	1892+1	1883+1	2073+1	1879+1	1542+1	0000	0000	0000											
05	0000	0000	4516-1	4533-1	4803-1	4556-1	6895-1	8043-1	0000	7296+1	5249+0	4617-1	4967-1	5800+2						
	0000	0000	6189-3	6213-3	6583-3	6245-3	9449-3	1102-2	0000	3000-2	5359-2	3266-2	6328-2	5840+2	6110+2					
	0000	0000	9780-1	9817-1	1040+0	9668-1	1493+0	1742+0	0000											

PROJ	RUN	GROUP	CONF	MACH	X/D	1	2	3	4	5	6	7	8	9	Po	q	Pinf	Re	To	
0626	0009	0146	0003	4030+0	6955+0															
02	5574+0	7165+0	6297+0	6207+0	5871+0	5691+0	5996+0	7326+0	9541+0	7299+1	5251+0	4619-1	4975-1	5795+2						
	7637-2	9817-2	8628-2	8505-2	8045-2	7798-2	8215-2	1004-1	1307-1	3188-2	5281-2	3109-2	5953-2	5880+2	6075+2					
	1207+1	1553+1	1363+1	1344+1	1271+1	1232+1	1298+1	1586+1	2066+1											
03	8271+0	8003+0	7145+0	7496+0	7991+0	8029+0	7790+0	7728+0	9163+0	7301+1	5253+0	4620-1	4976-1	5795+2						
	1133-1	1096-1	9787-2	1027-1	1095-1	1099-1	1067-1	1059-1	1118-1	2922-2	5141-2	3125-2	6297-2	5880+2	6075+2					
	1790+1	1732+1	1546+1	1622+1	1729+1	1738+1	1686+1	1673+1	1767+1											
04	8446+0	8530+0	8443+0	9089+0	8663+0	8817+0	0000	0000	0000	7299+1	5251+0	4619-1	4975-1	5795+2						
	1157-1	1169-1	1157-1	1245-1	1187-1	1208-1	0000	0000	0000	3063-2	5203-2	3128-2	6313-2	5880+2	6075+2					
	1829+1	1847+1	1828+1	1968+1	1876+1	1909+1	0000	0000	0000											
05	0000	0000	4514-1	4531-1	4794-1	4563-1	6904-1	8105-1	0000	7299+1	5251+0	4619-1	4975-1	5795+2						
	0000	0000	6185-3	6208-3	6569-3	6251-3	9459-3	1111-2	0000	3156-2	5344-2	3250-2	6391-2	5880+2	6075+2					
	0000	0000	9774-1	9810-1	1038+0	9878-1	1495+0	1755+0	0000											

PROJ	RUN	GROUP	CONF	MACH	X/D	1	2	3	4	5	6	7	8	9	Po	q	Pinf	Re	To	
0626	0009	0147	0003	4030+0	7954+0															
02	5775+0	7002+0	6236+0	6207+0	5874+0	5822+0	6056+0	6933+0	9263+0	7299+1	5251+0	4619-1	4949-1	5815+2						
	7913-2	9594-2	8545-2	8505-2	8045-2	7977-2	8353-2	9499-2	1269-1	3144-2	5188-2	3141-2	6281-2	5895+2						
	1250+1	1516+1	1350+1	1344+1	1274+1	1260+1	1319+1	1501+1	2006+1											
03	8329+0	7916+0	7030+0	7423+0	7874+0	7946+0	7821+0	7867+0	8317+0	7299+1	5251+0	4619-1	4943-1	5820+2						
	1141-1	1085-1	9633-2	1017-1	1079-1	1089-1	1072-1	1081-1	1139-1	3156-2	5266-2	3063-2	6344-2	5900+2						
	1803+1	1714+1	1522+1	1607+1	1705+1	1720+1	1693+1	1708+1	1801+1											
04	8444+0	8507+0	8438+0	9033+0	8599+0	8749+0	0000	0000	0000	7294+1	5248+0	4616-1	4939-1	5820+2						
	1158-1	1166-1	1157-1	1238-1	1179-1	1199-1	0000	0000	0000	3203-2	5250-2	3063-2	6344-2	5905+2						
	1829+1	1843+1	1828+1	1957+1	1863+1	1895+1	0000	0000	0000											
05	0000	0000	4511-1	4527-1	4780-1	4561-1	6890-1	8051-1	0000	7296+1	5249+0	4617-1	4928-1	5830+2						
	0000	0000	6183-3	6204-3	6552-3	6251-3	9443-3	1103-2	5000	3016-2	5031-2	3391-2	6359-2	6070+2						
	0000	0000	9770-1	9803-1	1035+0	9878-1	1492+0	1744+0	0000											
02	3671-1	2566-1	2388-1	2944-1	1890-1	2542-1	3638-1	5899-1	1265+0	3051+1	1009+0	5767-2	1274-1	5855+2						
	1203-2	8408-3	7825-3	9649-3	6194-3	8329-3	1192-2	1933-2	1474-2	9844-3	1172-2	6094-3	2047-2	5630+2						
	6366+0	4449+0	4140+0	5105+0	3277+0	4407+0	6308+0	1023+1	2367+1											
03	5223-1	1514-1	2173-1	1107-1	6756-2	7749-2	2029-1	5258-1	5229-1	3049+1	1009+0	5764-2	1271-1	5860+2						
	1713-2	4964-3	7124-3	3628-3	2215-3	2541-3	6653-3	1724-2	1715-2	9219-3	1141-2	6250-3	2078-2	5630+2						
	9061+0	2627+0	3769+0	1919+0	1172+0	1344+0	3520+0	9121+0	9072+0											
04	5141-1	5511-1	5821-1	9253-1	1693+0	1994+0	0000	0000	0000	3045+1	1009+0	5764-2	1271-1	5860+2						
	1686-2	1807-2	1908-2	3034-2	5551-2	6209-2	0000	0000	0000	9219-3	1078-2	5938-3	2094-2	5635+2						
	8918+0	9561+0	1009+1	1605+1	2937+1	3285+1	0000	0000	0000											
05	0000	0000	6976-2	6010-2	6709-2	6783-2	8138-2	1049-1	0000	3046+1	1007+0	5757-2	1268-1	5865+2						
	0000	0000	2290-3	1973-3	2203-3	2227-3	2672-3	3443-3	0000	8125-3	1047-2	7188-3	2047-2	5640+2						
	0000	0000	1212+0	1044+0	1165+0	1178+0	1414+0	1822+0	0000											

PROJ RUN GROUP CONF MACH X/D  
0626 0010 0148 0003 5000+0 1015+0

PROJ RUN	GROUP	CONF	NACH	X/D	1	2	3	4	5	6	7	8	9	Po	q	Pinf	Re	To	
0626	0010	0149	0003	5000+0	1924+0														
02	7126-1	3683-1	2886-1	4503-1	6061-1	9173-1	6895-1	8801-1	1212+0	3051+1	1009+0	5766-2	1270-1	5865+2					
	2337-2	1207-2	9459-3	1476-2	1987-2	3007-2	2260-2	2885-2	3974-2	6563-3	9063-3	5625-3	1875-2	5965+2					
	1236+1	6386+0	5005+0	7810+0	1051+1	1591+1	1196+1	1527+1	2103+1										
03	6960-1	6420-1	4072-1	3882-1	3336-1	5474-1	7321-1	8124-1	7526-1	3055+1	1011+0	5775-2	1272-1	5865+2					
	2278-2	2101-2	1333-2	1270-2	1092-2	1792-2	2396-2	2659-2	2483-2	6250-3	9063-3	5313-3	1859-2	5965+2					
	1205+1	1112+1	7051+0	6722+0	5777+0	9479+0	1268+1	1407+1	1314+1										
04	5881-1	4948-1	5501-1	8501-1	1394+0	1651+0	0000	0000	0000	3055+1	1011+0	5775-2	1272-1	5865+2					
	1925-2	1619-2	1800-2	2782-2	4561-2	5403-2	0000	0000	0000	5781-3	8750-3	4375-3	1875-2	5960+2					
	1018+1	8569+0	9526+0	1472+1	2413+1	2859+1	0000	0000	0000										
05	0000	0000	6991-2	5838-2	6414-2	6612-2	7721-2	1004-1	0000	3062+1	1013+0	5768-2	1277-1	5860+2					
	0000	0000	2283-3	1906-3	2094-3	2159-3	2521-3	3278-3	0000	5625-3	8906-3	5313-3	1969-2	5950+2					
	0000	0000	1208+0	1009+0	1108+0	1142+0	1334+0	1734+0	0000										

PROJ RUN	GROUP	CONF	NACH	X/D	1	2	3	4	5	6	7	8	9	Po	q	Pinf	Re	To	
0626	0010	0150	0003	5000+0	2979+0														
02	1680+0	4898-1	3858-1	5655-1	7644-1	1341+0	1623+0	5946-1	1104+0	3067+1	1014+0	5797-2	1282-1	5950+2					
	5479-2	1597-2	1258-2	1844-2	2492-2	4372-2	5297-2	2949-2	3599-2	5000-3	9594-3	4688-3	1813-2	5775+2					
	2899+1	8451+0	6656+0	9756+0	1319+1	2313+1	2803+1	1560+1	1594+1										
03	8674-1	9206-1	5372-1	5766-1	6949-1	8753-1	9546-1	9451-1	8592-1	3066+1	1014+0	5795-2	1283-1	5845+2					
	2829-2	3003-2	1752-2	1881-2	2267-2	2855-2	3113-2	3082-2	2502-2	4688-3	8750-3	4375-3	1813-2	5770+2					
	1497+1	1589+1	9269+0	9950+0	1199+1	1510+1	1647+1	1631+1	1423+1										
04	8324-1	8672-1	9195-1	9890-1	1179+0	1319+0	0000	0000	0000	3067+1	1014+0	5797-2	1284-1	5845+2					
	2714-2	2828-2	2998-2	3225-2	3843-2	4304-2	0000	0000	0000	4844-3	8281-3	5313-3	1813-2	5770+2					
	1436+1	1496+1	1586+1	1706+1	2033+1	2277+1	0000	0000	0000										
05	0000	0000	6929-2	5932-2	6538-2	6752-2	7844-2	1043-1	0000	3073+1	1016+0	5808-2	1289-1	5835+2					
	0000	0000	2255-3	1930-3	2127-3	2197-3	2522-3	3392-3	0000	4844-3	8594-3	5313-3	1891-2	5760+2					
	0000	0000	1193+0	1021+0	1126+0	1162+0	1350+0	1795+0	0000										

PROJ RUN	GROUP	CONF	NACH	X/D	1	2	3	4	5	6	7	8	9	Po	q	P.in	Re	To	
0626	0010	0151	0003	5000+0	4965+0														
02	1708+0	6091-1	4865-1	6819-1	8691-1	1294+0	1674+0	1791+0	1233+0	3065+1	1014+0	5794-2	1289-1	5825+2					
	5573-2	1987-2	1587-2	2225-2	2835-2	4222-2	5459-2	5841-2	5522-2	4375-3	8281-3	3594-2	1797-2	5640+2	5700+2				
	2949+1	1051+1	8397+0	1177+1	1500+1	223+1	2889+1	3091+1	3147+1										
03	1133+0	1050+0	6698-1	7818-1	9197-1	1044+0	1151+0	1166+0	1125+0	3065+1	1014+0	5794-2	1289-1	5825+2					
	3696-2	3427-2	2185-2	2550-2	3000-2	3406-2	3756-2	3804-2	3658-2	4531-3	7969-3	4063-3	1781-2	5635+2	5710+2				
	1956+1	1813+1	1158+1	1349+1	1587+1	1802+1	1987+1	2013+1	1541+1										
04	1158+0	1327+0	1453+0	1411+0	1356+0	1209+0	0000	0000	0000	3062+1	1013+0	5786-2	1289-1	5820+2					
	3782-2	4335-2	4746-2	4609-2	4428-2	3948-2	0000	0000	0000	4688-3	8125-3	5000-3	1797-2	5630+2	5695+2				
	2001+1	2294+1	2511+1	2439+1	2343+1	2059+1	0000	0000	0000										
05	0000	0000	7222-2	5963-2	6523-2	6612-2	7767-2	1063-1	0000	3059+1	1012+0	5783-2	1291-1	5815+2					
	0000	0000	2360-3	1949-3	2132-3	2161-3	2538-3	3473-3	0000	4531-3	8125-3	5313-3	1875-2	5630+2	5695+2				
	0000	0000	1249+0	1031+0	1128+0	1143+0	1343+0	1837+0	0000										

PROJ RUN	GROUP	CONF	NACH	X/D	1	2	3	4	5	6	7	8	9	Po	q	P.in	Re	To	
0626	0010	0152	0003	5000+0	6951+0														
02	1617+0	6902-1	5513-1	7427-1	8888-1	1194+0	1529+0	1735+0	1751+0	3053+1	1009+0	5775-2	1288-1	5815+2					
	5256-2	2261-2	1828-2	2433-2	2911-2	3910-2	5009-2	5882-2	5855-2	4375-3	7456-3	4331-3	1781-2	5630+2	5695+2				
	2802+1	1196+1	9565+0	1287+1	1540+1	2069+1	2649+1	3006+1	3103+1										
03	1193+0	1075+0	7497-1	8574-1	9784-1	1082+0	1173+0	1190+0	1169+0	3054+1	1010+0	5773-2	1289-1	5810+2					
	3905-2	3521-2	2454-2	2807-2	3203-2	3541-2	3840-2	3896-2	3827-2	4531-3	8125-3	5000-3	1781-2	5615+2	5682+2				
	2066+1	1863+1	1299+1	1485+1	1695+1	1874+1	2032+1	2061+1	2225+1										
04	1235+0	1399+0	1985+0	1629+0	1613+0	1444+0	0000	0000	0000	3054+1	1010+0	5773-2	1289-1	5810+2					
	4042-2	4579-2	5188-2	5336-2	5281-2	4729-2	0000	0000	0000	4375-3	8281-3	5456-3	1734-2	5615+2	5680+2				
	2139+1	2423+1	2745+1	2823+1	2794+1	2502+1	0000	0000	0000										
05	0000	0000	6951-2	5901-2	6352-2	6612-2	7736-2	1032-1	0000	3051+1	1009+0	5767-2	1289-1	5810+2					
	0000	0000	2291-3	1934-3	2082-3	2167-3	2535-3	3391-3	0000	4531-3	8281-3	5313-3	1875-2	5615+2	5685+2				
	0000	0000	1212+0	1023+0	1101+0	1146+0	1341+0	1799+0	0000										

PROJ SUN GROUP CONF NACE X/D  
0626 0010 0153 0003 5000+0 7550+0

	1	2	3	4	5	6	7	8	9	Po	q	Pinf	Re	To
02	1545+0	7239-1	5775-1	7649-1	8823-1	1137+0	1445+0	1662+0	1765+0	3049+1	1003+0	5763-2	1235-1	5810+2
	5066-2	2374-2	1854-2	2509-2	2914-2	3729-2	4739-2	5452-2	5801-2	4531-3	7182-3	5000-3	1797-2	5610+2
	2680+1	1256+1	1002+1	1327+1	1542+1	1973+1	2508+1	2885+1	3069+1					
03	1211+0	1090+0	7807-1	8807-1	9953-1	1099+0	1186+0	1206+0	1193+0	3053+1	1009+0	5770-2	1289-1	5810+2
	3968-2	3571-2	2557-2	2895-2	3261-2	3599-2	3886-2	3949-2	3908-2	4531-3	8123-3	5156-3	1813-2	5610+2
	2099+1	1889+1	1353+1	1526+1	1725+1	1904+1	2056+1	2089+1	2067+1					
04	1272+0	1425+0	1608+0	1626+0	1615+0	1578+0	0000	0000	0000	3055+1	1011+0	5775-2	1290-1	5810+2
	4163-2	4665-2	5263-2	5321-2	5287-2	5164-2	0000	0000	0000	4063-3	7813-3	4531-3	1781-2	5610+2
	2203+1	2468+1	2784+1	2816+1	2798+1	2732+1	0000	0000	0000					
05	0000	0000	7114-2	5948-2	6383-2	6627-2	7767-2	1013-1	0000	3065+1	1014+0	5794-2	1294-1	5810+2
	0000	0000	2321-3	1940-3	2082-3	2162-3	2534-3	3305-3	0000	4688-3	8438-3	6094-3	1891-2	5610+2
	0000	0000	1228+0	1027+0	1102+0	1144+0	1341+0	1749+0	0000					

PROJ RUN GROUP CONF NACE X/D  
0626 0010 0154 0003 5000+0 1033+0

	1	2	3	4	5	6	7	8	9	Po	q	Pinf	Re	To
02	1545+0	1135+0	5098-1	5962-1	7413-1	1049+0	1541+0	2714+0	6466+0	1331+2	4404+0	2517-1	4927-1	6345+2
	1159-2	8528-3	6833-3	4478-3	5567-3	7878-3	1157-2	2038-2	4857-2	1328-2	2594-2	1234-2	3375-2	6260+2
	6137+0	4512+0	3615+0	2369+0	2946+0	4168+0	6122+0	1078+1	2570+1					
03	1725+0	1450+0	1182+0	6209-1	4841-1	9897-1	2308+0	1728+0	1735+0	1329+2	4395+0	2511-1	4922-1	6340+2
	1298-2	1121-2	8896-3	4673-3	3643-3	7449-3	1737-2	1301-2	1306-2	1578-2	2688-2	1297-2	3406-2	6260+2
	6868+0	5933+0	4707+0	2473+0	1928+0	3941+0	9191+0	6883+0	6911+0					
04	1912+0	2302+0	2934+0	5359+0	9096+0	9202+0	0000	0000	0000	1329+2	4395+0	2511-1	4922-1	6340+2
	1439-2	1733-2	2208-2	4033-2	6846-2	6925-2	0000	0000	0000	1625-2	2656-2	1313-2	3500-2	6220+2
	7613+0	9167+0	1168+1	2134+1	3622+1	3664+1	0000	0000	0000					
05	0000	0000	2764-1	2357-1	2320-1	2384-1	3493-1	4652-1	0000	1322+2	4394+0	2511-1	4927-1	6335+2
	0000	0000	2081-3	1774-3	1747-3	1795-3	2629-3	3501-3	0000	1578-2	2656-2	1438-2	3547-2	6255+2
	0000	0000	1101+0	9388-1	9241-1	9496-1	1391+0	1853+0	0000					

PROJ RUN GROUP COMP MACH X/D  
0626 0010 0155 0003 5000+0 1984+0

	1	2	3	4	5	6	7	8	9	Po	q	Finf	Re	To
02	3043+0	1620+0	1371+0	1382+0	2301+0	4655+0	3006+0	3705+0	5218+0	1330+2	4399+0	2514-1	4951-1	6320+2
	2288-2	1218-2	1031-2	1043-2	1730-2	3499-2	2260-2	2788-2	3923-2	1500-2	2734-2	1138-2	3500-2	6150+2
	1211+1	6445+0	5456+0	5520+0	9155+0	1852+1	1196+1	1475+1	2076+1					6055+2
03	2462+0	4163+0	1684+0	1424+0	2121+0	3735+0	4435+0	3887+0	2692+0	1331+2	4402+0	2516-1	4960-1	6315+2
	1819-2	3127-2	1265-2	1069-2	1594-2	2806-2	3334-2	2920-2	2023-2	1331-2	2625-2	1153-2	3469-2	6150+2
	9788+0	1655+1	6694+0	5659+0	8432+0	1485+1	1764+1	1545+1	1070+1					6050+2
04	2400+0	2536+0	2962+0	4084+0	6192+0	7059+0	0000	0000	0000	1331+2	4404+0	2517-1	4962-1	6315+2
	1803-2	1905-2	2225-2	3068-2	4650-2	5302-2	0000	0000	0000	1625-2	2750-2	1484-2	3605-2	6150+2
	9538+0	1008+1	1177+1	1623+1	2460+1	2805+1	0000	0000	0000					6050+2
05	0000	0000	2763-1	2342-1	2314-1	2378-1	3498-1	4652-1	0000	1332+2	4407+0	2518-1	4971-1	6310+2
	0000	0000	2073-3	1757-3	1737-3	1785-3	2625-3	3491-3	0000	1688-2	2906-2	1469-2	3609-2	6145+2
	0000	0000	1097+0	9298-1	9189-1	9443-1	1359+0	1847+0	0000					6040+2

PROJ RUN GROUP COMP MACH X/D  
0626 0010 0156 0003 5000+0 2979+0

	1	2	3	4	5	6	7	8	9	Po	q	Finf	Re	To
02	6963+0	1948+0	1671+0	1804+0	2045+0	5308+0	6981+0	3738+0	4647+0	1336+2	4419+0	2525-1	4990-1	6305+2
	5212-2	1458-2	1251-2	1350-2	1531-2	3975-2	5225-2	2798-2	3478-2	1422-2	2406-2	1078-2	3328-2	6090+2
	2758+1	7716+0	6618+0	7144+0	8100+0	2102+1	2765+1	1480+1	1840+1					
03	2937-1	4968+0	1981+0	2769+0	4404+0	5125+0	4873+0	4504+0	4454+0	1335+2	4416+0	2524-1	4988-1	6305+2
	2199-3	3721-2	1483-2	2073-2	3298-2	3841-2	3649-2	3374-2	3336-2	1500-2	2500-2	1192-2	3297-2	6200+2
	1164+0	1969+1	7848+0	1097+1	1745+1	2032+1	1931+1	1785+1	1765+1					6090+2
04	4732+0	3967+0	3899+0	4281+0	5085+0	5549+0	0000	0000	0000	1334+2	4413+0	2521-1	4983-1	6305+2
	3547-2	2973-2	2923-2	3209-2	3812-2	4159-2	0000	0000	0000	1578-2	2656-2	1322-2	3453-2	6205+2
	1877+1	1573+1	1546+1	1698+1	2017+1	2201+1	0000	0000	0000					6095+2
05	0000	0000	2759-1	2338-1	2308-1	2361-1	3498-1	4644-1	0000	1332+2	4406+0	2512-1	4976-1	6305+2
	0000	0000	2072-3	1755-3	1732-3	1772-3	2625-3	3486-3	0000	1453-2	2844-2	1484-2	3578-2	6205+2
	0000	0000	1096+0	9287-1	9166-1	9376-1	1389+0	1844+0	0000					6095+2

PROJ RUN GROUP CONF MACH X/D  
 082E 0010 0157 0003 5000+0 4969+0

	1	2	3	4	5	6	7	8	9	Po	Q	Pinf	Re	To
02	6640+0	2527+0	2478+0	2236+0	2495+0	3732+0	6635+0	7459+0	7507+0	1327+2	4390+0	2509-1	4958-1	6305+2
	5003-2	1904-2	1641-2	1685-2	1657-2	2812-2	4999-2	5619-2	5656-2	1516-2	2531-2	1125-2	3313-2	6540+2
	2647+1	1007+1	8681+0	8914+0	8766+0	1488+1	2645+1	2973+1	2993+1					6200+2
03	5803+0	5992+0	3603+0	4949+0	5672+0	5773+0	5608+0	5415+0	5613+0	1327+2	4389+0	2508-1	4951-1	6310+2
	4373-2	4214-2	2715-2	3729-2	4274-2	4350-2	4226-2	4081-2	4229-2	1422-2	2594-2	1250-2	3313-2	6540+2
	2314+1	2229+1	1437+1	1973+1	2262+1	2302+1	2236+1	2159+1	2238+1					6200+2
04	6056+0	6340+0	6576+0	6485+0	5024+0	4937+0	0000	0000	0000	1327+2	4390+0	2509-1	4952-1	6310+2
	4562-2	4777-2	4954-2	4886-2	3785-2	3719-2	0000	0000	0000	1484-2	2656-2	1313-2	3359-2	6195+2
	2414+1	2528+1	2621+1	2585+1	2003+1	1968+1	0000	0000	0000					
05	0000	0000	2746-1	2323-1	2299-1	2341-1	3445-1	4668-1	0000	1326+2	4387+0	2507-1	4949-1	6310+2
	0000	0000	2070-3	1751-3	1726-3	1765-3	2597-3	3519-3	0000	1547-2	2682-2	1359-2	3484-2	6545+2
	0000	0000	1095+0	9266-1	9132-1	9337-1	1374+0	1862+0	0000					6200+2

PROJ RUN GROUP CONF MACH X/D  
 082E 0010 0158 0003 5000+0 4969+0

	1	2	3	4	5	6	7	8	9	Po	Q	Pinf	Re	To
02	5136+0	3744+0	3266+0	3193+0	2796+0	3219+0	5126+0	7048+0	7575+0	1327+2	4389+0	2508-1	4951-1	6310+2
	3871-2	2821-2	2461-2	2406-2	2107-2	2426-2	3862-2	5311-2	5708-2	1297-2	2422-2	1063-2	3188-2	6435+2
	2048+1	1493+1	1302+1	1273+1	1115+1	1283+1	2044+1	2809+1	3020+1					6545+2
03	6063+0	5719+0	4751+0	5512+0	5803+0	5826+0	5722+0	5675+0	5851+0	1326+2	4387+0	2507-1	4943-1	6315+2
	4571-2	4312-2	3582-2	4156-2	4376-2	4393-2	4314-2	4279-2	4411-2	1469-2	2406-2	1219-2	3313-2	6435+2
	2418+1	2281+1	1895+1	2199+1	2315+1	2324+1	2283+1	2264+1	2334+1					6550+2
04	6135+0	6232+0	6559+0	7032+0	6896+0	6748+0	0000	0000	0000	1326+2	4387+0	2507-1	4943-1	6315+2
	4626-2	4699-2	4946-2	5302-2	5199-2	5088-2	0000	0000	0000	1391-2	2719-2	1313-2	3344-2	6435+2
	2447+1	2486+1	2617+1	2805+1	2754+1	2692+1	0000	0000	0000					6555+2
05	0000	0000	2739-1	2332-1	2286-1	2359-1	3453-1	4664-1	0000	1324+2	4381+0	2503-1	4936-1	6315+2
	0000	0000	2069-3	1761-3	1726-3	1781-3	2607-3	3521-3	0000	1594-2	2734-2	1359-2	3469-2	6440+2
	0000	0000	1094+0	9316-1	9132-1	9425-1	1379+0	1863+0	0000					6560+2

PROJ RUN GROUP CONF NACH X/D  
 0626 0010 0159 0003 5000+0 6955+0

	1	2	3	4	5	6	7	8	9	Po	q	Pinf	Re	To
02	5048+0	3765+0	325+0	3167+0	2764+0	3233+0	5124+0	7038+0	7575+0	1327+2	4388+0	2507-1	4926-1	6330+2
	3803-2	2839-2	2453-2	2387-2	2083-2	2437-2	3908-2	5306-2	5710-2	1453-2	2359-2	1047-2	3297-2	6450+2
	2013+1	1502+1	1298+1	1263+1	1102+1	1289+1	2068+1	2807+1	3021+1					5590+2
03	6077+0	5724+0	4765+0	5505+0	5792+0	5824+0	5724+0	5679+0	5577+0	1327+2	4388+0	2507-1	4926-1	6330+2
	4581-2	4315-2	3592-2	4149-2	4366-2	4390-2	4315-2	4281-2	4429-2	1547-2	2594-2	1219-2	3297-2	6455+2
	2424+1	2283+1	1901+1	2196+1	2309+1	2323+1	2283+1	2265+1	2344+1					6580+2
04	6163+0	6260+0	6597+0	7046+0	6919+0	6769+0	0000	0000	0000	1329+2	4397+0	2513-1	4936-1	6330+2
	4636-2	4709-2	4962-2	5301-2	5205-2	5092-2	0000	0000	0000	1547-2	2594-2	1250-2	3297-2	6450+2
	2453+1	2492+1	2626+1	2804+1	2754+1	2694+1	0000	0000	0000					6590+2
05	0000	0000	2763-1	2348-1	2306-1	2381-1	3462-1	4698-1	0000	1332+2	4406+0	2518-1	4947-1	6330+2
	0000	0000	2074-3	1762-3	1731-3	1787-3	2599-3	3526-3	0000	1500-2	2781-2	1359-2	3438-2	6455+2
	0000	0000	1097+0	9324-1	9459-1	9457-1	1375+0	1866+0	0000					5595+2

PROJ RUN GROUP CONF NACH X/D  
 0626 0011 0160 0003 3590+0 1007+0

	1	2	3	4	5	6	7	8	9	Po	q	Pinf	Re	To
02	3730-1	4152-1	1924-1	1903-1	1045-1	7048-2	2639-1	7582-1	8123-1	1353+1	1006+0	9029-2	9338-2	5925+2
	2758-2	3074-2	1522-2	1407-2	7727-3	5210-3	1951-2	5605-2	6005-2	1750-2	1922-2	1188-2	2891-2	5945+2
	4132+0	4605+0	2131+0	2108+0	1158+0	7806-1	2923+0	8398+0	8937+0					5675+2
03	1264+0	4720-1	7019-1	4223-1	3431-1	4218-1	5926-1	8602-1	1156+0	1351+1	1005+0	9018-2	9327-2	5825+2
	9356-2	3494-2	5195-2	3125-2	2539-2	3122-2	4386-2	6366-2	8554-2	1734-2	1906-2	1266-2	2969-2	5940+2
	1402+1	5234+0	7783+0	4683+0	3804+0	4677+0	6572+0	9536+0	1252+1					5670+2
04	1348+0	1255+0	1259+0	2018+0	2007+0	1508+0	0000	0000	0000	1353+1	1006+0	9029-2	9349-2	5820+2
	9966-2	9281-2	9609-2	1492-1	1483-1	1115-1	0000	0000	0000	1719-2	1891-2	1219-2	2875-2	5935+2
	1493+1	1391+1	1439+1	2235+1	2222+1	1671+1	0000	0000	0000					5670+2
05	0000	0000	9865-2	9798-2	1070-1	1135-1	1379-1	1789-1	0000	1349+1	1004+0	9008-2	9328-2	5820+2
	0000	0000	7309-3	7260-3	7929-3	8412-3	1022-2	1326-2	0000	1656-2	1875-2	1313-2	2969-2	5930+2
	0000	0000	1095+0	1088+0	1188+0	1260+0	1531+0	1987+0	0000					5665+2



PROJ	NUM	GROUP	CONF	MACH	X/D	1	2	3	4	5	6	7	8	9	Po	q	Pinf	Re	To																																																																																																																																																																																																																																							
0626	0011	01E1	0003	399C+0	2024+0																																																																																																																																																																																																																																																					
02	1404+0	7355-1	5648-1	6408-1	5395-1	7257-1	1357+0	1642+0	10240	1349+1	1003+0	9003-2	9371-2	5800+2																																																																																																																																																																																																																																												
	1041-1	5453-2	4188-2	4751-2	4000-2	5381-2	1006-1	1217-1	7947-2	1297-2	1594-2	1078-2	2703-2	5810+2						5695+2																																																																																																																																																																																																																																						
	1559+1	8169+0	6274+0	7118+0	5993+0	8061+0	1508+1	1824+1	1191+1																																																																																																																																																																																																																																																	
03	9039-1	7408-1	9130-1	1065+0	1294+0	9531-1	7554-1	8486-1	8817-1	1348+1	1003+0	8997-2	9378-2	5795+2																																																																																																																																																																																																																																												
	6705-2	5495-2	6773-2	7900-2	9601-2	7071-2	5604-2	6295-2	6541-2	1313-2	1578-2	1078-2	2703-2	5810+2						5695+2																																																																																																																																																																																																																																						
	1005+1	8233+0	1015+1	1184+1	1438+1	1059+1	8396+0	9432+0	9799+0																																																																																																																																																																																																																																																	
04	8845-1	8825-1	1022+0	1469+0	1826+0	1970+0	0000	0000	0000	1347+1	1002+0	8992-2	9372-2	5795+2																																																																																																																																																																																																																																												
	6565-2	6551-2	7585-2	1090-1	1355-1	1462-1	0000	0000	0000	1313-2	1578-2	1141-2	2703-2	5805+2						5695+2																																																																																																																																																																																																																																						
	9836+0	9814+0	1136+1	1634+1	2030+1	2191+1	0000	0000	0000																																																																																																																																																																																																																																																	
05	0000	0000	9849-2	9485-2	1036-1	1116-1	1349-1	1743-1	0000	1352+1	1006+0	9024-2	9417-2	5790+2																																																																																																																																																																																																																																												
	0000	0000	7286-3	7016-3	7662-3	8259-3	9983-3	1289-2	0000	1375-2	1672-2	1172-2	2781-2	5800+2						5690+2																																																																																																																																																																																																																																						
	0000	0000	1092+0	1051+0	1148+0	1237+0	1496+0	1932+0	0000																																																																																																																																																																																																																																																	
<table border="1"> <thead> <tr> <th>PROJ</th> <th>NUM</th> <th>GROUP</th> <th>CONF</th> <th>MACH</th> <th>X/D</th> <th>1</th> <th>2</th> <th>3</th> <th>4</th> <th>5</th> <th>6</th> <th>7</th> <th>8</th> <th>9</th> <th>Po</th> <th>q</th> <th>Pinf</th> <th>Re</th> <th>To</th> </tr> </thead> <tbody> <tr> <td>0626</td> <td>0012</td> <td>01E2</td> <td>0003</td> <td>5000+0</td> <td>1000+0</td> <td></td> <td></td> <td></td> <td></td> <td></td> <td></td> <td></td> <td></td> <td></td> <td></td> <td></td> <td></td> <td></td> <td></td> <td></td> </tr> <tr> <td>02</td> <td>7444-2</td> <td>3993-2</td> <td>1060-1</td> <td>6219-2</td> <td>0000</td> <td>0000</td> <td>0000</td> <td>0000</td> <td>0000</td> <td>1326+2</td> <td>4385+0</td> <td>2505-1</td> <td>4922-1</td> <td>6330+2</td> <td></td> <td></td> <td></td> <td></td> <td></td> <td></td> </tr> <tr> <td></td> <td>5615-4</td> <td>3012-4</td> <td>7999-4</td> <td>4692-4</td> <td>0000</td> <td>0000</td> <td>0000</td> <td>0000</td> <td>0000</td> <td>1188-2</td> <td>2719-2</td> <td>1563-2</td> <td>2188-2</td> <td>6975+2</td> <td></td> <td></td> <td></td> <td></td> <td></td> <td></td> </tr> <tr> <td></td> <td>2971-1</td> <td>1594-1</td> <td>4232-1</td> <td>2482-1</td> <td>0000</td> <td>0000</td> <td>0000</td> <td>0000</td> <td>0000</td> <td></td> <td></td> <td></td> <td></td> <td></td> <td></td> <td></td> <td></td> <td></td> <td></td> <td></td> </tr> <tr> <td>03</td> <td>6648-2</td> <td>8905-2</td> <td>1435-1</td> <td>1559-1</td> <td>1202-1</td> <td>8863-2</td> <td>2486-1</td> <td>2347-1</td> <td>0000</td> <td>1327+2</td> <td>4390+0</td> <td>2509-1</td> <td>4928-1</td> <td>6330+2</td> <td></td> <td></td> <td></td> <td></td> <td></td> <td></td> </tr> <tr> <td></td> <td>5009-4</td> <td>6709-4</td> <td>1081-3</td> <td>1174-3</td> <td>9055-4</td> <td>6677-4</td> <td>1873-3</td> <td>1768-3</td> <td>0000</td> <td>1219-2</td> <td>2953-2</td> <td>1609-2</td> <td>2203-2</td> <td>6975+2</td> <td></td> <td></td> <td></td> <td></td> <td></td> <td></td> </tr> <tr> <td></td> <td>2650-1</td> <td>3549-1</td> <td>5722-1</td> <td>6214-1</td> <td>4791-1</td> <td>3533-1</td> <td>9910-1</td> <td>9355-1</td> <td>0000</td> <td></td> <td></td> <td></td> <td></td> <td></td> <td></td> <td></td> <td></td> <td></td> <td></td> <td></td> </tr> <tr> <td>05</td> <td>0000</td> <td>0000</td> <td>2806-1</td> <td>2397-1</td> <td>2424-1</td> <td>2449-1</td> <td>3579-1</td> <td>4775-1</td> <td>0000</td> <td>1329+2</td> <td>4395+0</td> <td>2512-1</td> <td>4946-1</td> <td>6320+2</td> <td></td> <td></td> <td></td> <td></td> <td></td> <td></td> </tr> <tr> <td></td> <td>0000</td> <td>0000</td> <td>2112-3</td> <td>1804-3</td> <td>1824-3</td> <td>1843-3</td> <td>2693-3</td> <td>3593-3</td> <td>0000</td> <td>1234-2</td> <td>3016-2</td> <td>1781-2</td> <td>2344-2</td> <td>6975+2</td> <td></td> <td></td> <td></td> <td></td> <td></td> <td></td> </tr> <tr> <td></td> <td>0000</td> <td>0000</td> <td>1117+0</td> <td>9543-1</td> <td>9650-1</td> <td>9753-1</td> <td>1425+0</td> <td>1901+0</td> <td>0000</td> <td></td> <td></td> <td></td> <td></td> <td></td> <td></td> <td></td> <td></td> <td></td> <td></td> <td></td> </tr> </tbody> </table>																					PROJ	NUM	GROUP	CONF	MACH	X/D	1	2	3	4	5	6	7	8	9	Po	q	Pinf	Re	To	0626	0012	01E2	0003	5000+0	1000+0																02	7444-2	3993-2	1060-1	6219-2	0000	0000	0000	0000	0000	1326+2	4385+0	2505-1	4922-1	6330+2								5615-4	3012-4	7999-4	4692-4	0000	0000	0000	0000	0000	1188-2	2719-2	1563-2	2188-2	6975+2								2971-1	1594-1	4232-1	2482-1	0000	0000	0000	0000	0000												03	6648-2	8905-2	1435-1	1559-1	1202-1	8863-2	2486-1	2347-1	0000	1327+2	4390+0	2509-1	4928-1	6330+2								5009-4	6709-4	1081-3	1174-3	9055-4	6677-4	1873-3	1768-3	0000	1219-2	2953-2	1609-2	2203-2	6975+2								2650-1	3549-1	5722-1	6214-1	4791-1	3533-1	9910-1	9355-1	0000												05	0000	0000	2806-1	2397-1	2424-1	2449-1	3579-1	4775-1	0000	1329+2	4395+0	2512-1	4946-1	6320+2								0000	0000	2112-3	1804-3	1824-3	1843-3	2693-3	3593-3	0000	1234-2	3016-2	1781-2	2344-2	6975+2								0000	0000	1117+0	9543-1	9650-1	9753-1	1425+0	1901+0	0000											
PROJ	NUM	GROUP	CONF	MACH	X/D	1	2	3	4	5	6	7	8	9	Po	q	Pinf	Re	To																																																																																																																																																																																																																																							
0626	0012	01E2	0003	5000+0	1000+0																																																																																																																																																																																																																																																					
02	7444-2	3993-2	1060-1	6219-2	0000	0000	0000	0000	0000	1326+2	4385+0	2505-1	4922-1	6330+2																																																																																																																																																																																																																																												
	5615-4	3012-4	7999-4	4692-4	0000	0000	0000	0000	0000	1188-2	2719-2	1563-2	2188-2	6975+2																																																																																																																																																																																																																																												
	2971-1	1594-1	4232-1	2482-1	0000	0000	0000	0000	0000																																																																																																																																																																																																																																																	
03	6648-2	8905-2	1435-1	1559-1	1202-1	8863-2	2486-1	2347-1	0000	1327+2	4390+0	2509-1	4928-1	6330+2																																																																																																																																																																																																																																												
	5009-4	6709-4	1081-3	1174-3	9055-4	6677-4	1873-3	1768-3	0000	1219-2	2953-2	1609-2	2203-2	6975+2																																																																																																																																																																																																																																												
	2650-1	3549-1	5722-1	6214-1	4791-1	3533-1	9910-1	9355-1	0000																																																																																																																																																																																																																																																	
05	0000	0000	2806-1	2397-1	2424-1	2449-1	3579-1	4775-1	0000	1329+2	4395+0	2512-1	4946-1	6320+2																																																																																																																																																																																																																																												
	0000	0000	2112-3	1804-3	1824-3	1843-3	2693-3	3593-3	0000	1234-2	3016-2	1781-2	2344-2	6975+2																																																																																																																																																																																																																																												
	0000	0000	1117+0	9543-1	9650-1	9753-1	1425+0	1901+0	0000																																																																																																																																																																																																																																																	

PROJ RUN GROUP CONF MACH X/D  
0626 0012 0163 0003 5000+0 1950+0

	1	2	3	4	5	6	7	8	9	Po	q	Pinf	Re	To
02	7113-2	2089-1	2121-1	7191-2	0000	0000	0000	0000	0000	1326+2	4387+0	2507-1	4943-1	5315+2
	5589-4	1576-3	1599-3	5422-4	0000	0000	0000	0000	0000	1172-2	2813-2	1641-2	2047-2	6975+2
	2957-1	8337-1	8460-1	2869-1	0000	0000	0000	0000	0000					6975+2
03	7225-2	1840-1	2016-1	2054-1	1998-1	5738-2	1464-1	2737-1	0000	1324+2	4379+0	2502-1	4939-1	6310+2
	5457-4	1389-3	1523-3	1551-3	1509-3	6599-4	1106-3	2067-3	0000	1297-2	3047-2	1750-2	2344-2	6975+2
	2887-1	7354-1	8058-1	8208-1	7984-1	3492-1	5851-1	1094+0	0000					6975+2
05	0000	0000	2774-1	2353-1	2343-1	2406-1	3511-1	4697-1	0000	1327+2	4388+0	2507-1	4955-1	6305+2
	0000	0000	2091-3	1774-3	1766-3	1814-3	2647-3	3540-3	0000	1156-2	3047-2	1828-2	2438-2	6975+2
	0000	0000	1106+0	9385-1	9345-1	9596-1	1400+0	1873+0	0000					6975+2

PROJ RUN GROUP CONF MACH X/D  
0626 0012 0164 0003 5000+0 2975+0

	1	2	3	4	5	6	7	8	9	Po	q	Pinf	Re	To
02	1291-1	2389-1	2399-1	2334-1	0000	0000	0000	0000	0000	1332+2	4405+0	2517-1	4975-1	6305+2
	9691-4	1794-3	1801-3	1753-3	0000	0000	0000	0000	0000	1406-2	3109-2	1875-2	2422-2	6975+2
	5127-1	9493-1	9531-1	9274-1	0000	0000	0000	0000	0000					6975+2
03	1656-1	2066-1	2293-1	2400-1	2240-1	2033-1	1322-1	1876-1	0000	1331+2	4401+0	2515-1	4970-1	6305+2
	1244-3	1553-3	1723-3	1804-3	1684-3	1528-3	9935-4	1410-3	0000	1391-2	3094-2	9531-3	2453-2	6975+2
	6584-1	8217-1	9118-1	9544-1	8909-1	8085-1	5257-1	7461-1	0000					6975+2
05	0000	0000	2785-1	2359-1	2343-1	2409-1	3509-1	4698-1	0000	1330+2	4400+0	2514-1	4969-1	6305+2
	0000	0000	2093-3	1774-3	1761-3	1811-3	2638-3	3532-3	0000	1359-2	3141-2	1984-2	2453-2	6975+2
	0000	0000	1108+0	9384-1	9315-1	9581-1	1396+0	1869+0	0000					6975+2

PROJ RUN GROUP CONF MACH X/D  
0626 0012 0165 0003 5000+0 4958+0

	1	2	3	4	5	6	7	8	9	Po	q	Pinf	Re	To
02	2389-1	2347-1	2387-1	2406-1	0000	0000	0000	0000	0000	1331+2	4402+0	2515-1	4971-1	6305+2
	1795-3	1764-3	1793-3	1808-3	0000	0000	0000	0000	0000	1359-2	3172-2	1969-2	2531-2	6975+2
	9499-1	9332-1	9489-1	9567-1	0000	0000	0000	0000	0000					
03	2429-1	2343-1	2187-1	2316-1	2597-1	2571-1	2036-1	1489-1	0000	1335+2	4414+0	2522-1	4979-1	6310+2
	1821-3	1755-3	1639-3	1735-3	1939-3	1927-3	1526-3	1116-3	0000	1422-2	3297-2	2047-2	2438-2	6975+2
	9633-1	9287-1	8670-1	9180-1	1026+0	1019+0	8073-1	5904-1	0000					
05	0000	0000	2785-1	2369-1	2339-1	2406-1	3517-1	4697-1	0000	1339+2	4428+0	2530-1	4995-1	6310+2
	0000	0000	2080-3	1769-3	1748-3	1797-3	2627-3	3508-3	0000	1391-2	3219-2	5000-3	2531-2	6975+2
	0000	0000	1101+0	9362-1	9247-1	9509-1	1350+0	1856+0	0000					

PROJ RUN GROUP CONF MACH X/D  
0626 0012 0166 0003 5000+0 6937+0

	1	2	3	4	5	6	7	8	9	Po	q	Pinf	Re	To
02	2346-1	2266-1	2274-1	2323-1	0000	0000	0000	0000	0000	1338+2	4426+0	2529-1	4987-1	6315+2
	1753-3	1693-3	1699-3	1736-3	0000	0000	0000	0000	0000	1422-2	3328-2	2031-2	2469-2	6975+2
	9273-1	8959-1	8992-1	9185-1	0000	0000	0000	0000	0000					
03	2275-1	2259-1	2156-1	2276-1	2394-1	2418-1	2454-1	2296-1	0000	1336+2	4420+0	2526-1	4974-1	6320+2
	1703-3	1691-3	1613-3	1703-3	1792-3	1809-3	1936-3	1718-3	0000	1484-2	3203-2	1984-2	2516-2	6975+2
	9008-1	8947-1	8536-1	9012-1	9475-1	9575-1	9714-1	9083-1	0000					
04	0000	0000	0000	0000	0000	0000	0000	0000	0000	1335+2	4416+0	2523-1	4969-1	6320+2
	0000	0000	0000	0000	0000	0000	0000	0000	0000	1261-2	3141-2	2016-2	2516-2	6975+2
	0000	0000	0000	0000	0000	0000	0000	0000	0000					
05	0000	0000	2788-1	2378-1	2362-1	2409-1	3505-1	4692-1	0000	1334+2	4413+0	2522-1	4966-1	6320+2
	0000	0000	2089-3	1782-3	1769-3	1806-3	2627-3	3516-3	0000	1516-2	3203-2	2031-2	2453-2	6975+2
	0000	0000	1105+0	9430-1	9365-1	9553-1	1389+0	1860+0	0000					

PROJ RUN GROUP CONF MACH X/D  
0626 0012 0167 0003 5000+0 7950+0

	1	2	3	4	5	6	7	8	9	Po	q	Pinf	Re	To
02	2233-1	2158-1	2185-1	2249-1	0000	0000	0000	0000	0000	1332+2	4405+0	2517-1	4958-1	6320+2
	1677-3	1621-3	1641-3	1689-3	0000	0000	0000	0000	0000	1313-2	3188-2	1984-2	2547-2	6975+2
	8871-1	8574-1	8681-1	8937-1	0000	0000	0000	0000	0000					
03	2208-1	2183-1	2112-1	2223-1	2351-1	2356-1	2359-1	2364-1	0000	1329+2	4396+0	2512-1	4941-1	6325+2
	1661-3	1643-3	1589-3	1673-3	1769-3	1773-3	1775-3	1778-3	0000	1422-2	3265-2	2016-2	2484-2	6975+2
	8790-1	8692-1	8406-1	8849-1	9358-1	9379-1	9392-1	9409-1	0000					
05	0000	0000	2746-1	2325-1	2295-1	2384-1	3463-1	4633-1	0000	1329+2	4396+0	2512-1	4940-1	6325+2
	0000	0000	2067-3	1749-3	1727-3	1794-3	2606-3	3486-3	0000	1500-2	3203-2	2000-2	2563-2	6975+2
	0000	0000	1093+0	9256-1	9136-1	9492-1	1379+0	1845+0	0000					

PROJ RUN GROUP CONF MACH X/D  
0626 0012 0168 0003 5000+0 1012+0

	1	2	3	4	5	6	7	8	9	Po	q	Pinf	Re	To
02	2013-2	1045-2	3052-2	1739-2	0000	0000	0000	0000	0000	3101+1	1026+0	5861-2	1221-1	5895+2
	6491-4	3369-4	9861-4	5607-4	0000	0000	0000	0000	0000	7500-3	1313-2	1078-2	1188-2	6975+2
	3434-1	1783-1	5217-1	2967-1	0000	0000	0000	0000	0000					
03	2341-2	2386-2	2228-2	3133-2	3640-2	3123-2	5014-2	8975-2	0000	3138+1	1036+0	5931-2	1299-1	5895+2
	7459-4	7604-4	7101-4	9985-4	1224-3	1014-3	1917-3	2861-3	0000	7344-3	1234-2	1063-2	1166-2	6975+2
	3947-1	4023-1	3757-1	5283-1	6475-1	5367-1	1014+0	1514+0	0000					
05	0000	0000	7254-2	6128-2	6965-2	6943-2	8117-2	1033-1	0000	3109+1	1029+0	5878-2	1293-1	5870+2
	0000	0000	2332-3	1929-3	2239-3	2233-3	2610-3	3320-3	0000	7344-3	1234-2	1141-2	1166-2	6975+2
	0000	0000	1234+0	1053+0	1165+0	1181+0	1381+0	1757+0	0000					

PROJ RUN GROUP CONF NACH X/D  
0626 0012 0169 0003 5030+0 1977+0

1	2	3	4	5	6	7	8	9	Po	q	Pinf	Re	To
02	2091-2	4538-2	4841-2	1974-2	0000	0000	0000	0000	3116+1	1031+0	5889-2	1302-1	5950+2
	6711-4	1456-3	1553-3	6335-4	0000	0000	0000	0000	7500-3	1234-2	1094-2	1172-2	6975+2
	3551-1	7706-1	8219-1	3352-1	0000	0000	0000	0000					6975+2
03	2200-2	3743-2	4288-2	4481-2	4571-2	3464-2	4189-2	7136-2	3102+1	1026+0	5863-2	1299-1	5840+2
	7093-4	1207-3	1382-3	1444-3	1473-3	1117-3	1351-3	2300-3	6719-3	1141-2	1000-2	1188-2	6975+2
	3753-1	6384-1	7313-1	7642-1	7796-1	5908-1	7146-1	1217+0					6975+2
05	0000	0000	7331-2	6126-2	6715-2	7916-2	1003-1	0000	3089+1	1022+0	5839-2	1298-1	5930+2
	0000	0000	2373-3	1983-3	2174-3	2192-3	2562-3	3262-3	6719-3	1141-2	5625-3	1188-2	6975+2
	0000	0000	1255+0	1049+0	1150+0	1159+0	1356+0	1726+0					6975+2

PROJ RUN GROUP CONF NACH X/D  
0626 0012 0170 0003 5000+0 2975+0

1	2	3	4	5	6	7	8	9	Po	q	Pinf	Re	To
02	2793-2	5677-2	5932-2	5609-2	0000	0000	0000	0000	3124+1	1033+0	5904-2	1316-1	5820+2
	8942-4	1817-3	1895-3	1795-3	0000	0000	0000	0000	7031-3	1141-2	1000-2	1188-2	6975+2
	4731-1	9615-1	1005+0	9499-1	0000	0000	0000	0000					6975+2
03	4089-2	4382-2	5594-2	5734-2	5504-2	4837-2	3834-2	5093-2	3132+1	1036+0	5919-2	1322-1	5810+2
	1306-3	1399-3	1786-3	1831-3	1757-3	1544-3	1224-3	1626-3	6719-3	1141-2	1063-2	1188-2	6975+2
	6908-1	7404-1	9451-1	9687-1	9298-1	8172-1	6478-1	8604-1					6975+2
05	0000	0000	7392-2	6126-2	6918-2	8071-2	1115-1	0000	3134+1	1037+0	5923-2	1322-1	5815+2
	0000	0000	2359-3	1954-3	2207-3	2575-3	3556-3	0000	6719-3	1125-2	1078-2	1188-2	6975+2
	0000	0000	1243+0	1034+0	1168+0	1172+0	1362+0	1882+0					6975+2

PRJ	RUN	GROUP	CONF	MACH	X/D	1	2	3	4	5	6	7	8	9	Po	q	Pinf	Re	To	
0626	0012	0171	0003	5000+0	4924+0															
02	5602-2	5459-2	5886-2	6047-2	0000	0000	0000	0000	0000	0000	0000	0000	0000	0000	3125+1	1034+0	5906-2	1314-1	5825+2	
	1793-3	1747-3	1884-3	1933-3	0000	0000	0000	0000	0000	0000	0000	0000	0000	0000	6719-3	1156-2	1000-2	1250-2	6975+2	
	9486-1	9242-1	9966-1	1024+0	0000	0000	0000	0000	0000	0000	0000	0000	0000	0000						
03	5353-2	5583-2	5855-2	6047-2	6421-2	6272-2	5102-2	4303-2	0000	0000	0000	0000	0000	0000	3121+1	1032+0	5895-2	1309-1	5835+2	
	1715-3	1789-3	1676-3	1933-3	2057-3	2009-3	1635-3	1379-3	0000	0000	0000	0000	0000	0000	6719-3	1094-2	9688-3	1172-2	6975+2	
	9075-1	9466-1	9927-1	1025+0	1089+0	1063+0	8649-1	7296-1	0000	0000	0000	0000	0000	0000						
05	0000	0000	7192-2	6204-2	6872-2	6851-2	8024-2	1107-1	0000	0000	0000	0000	0000	0000	3109+1	1028+0	5876-2	1301-1	5845+2	
	0000	0000	2313-3	1955-3	2210-3	2213-3	2581-3	3559-3	0000	0000	0000	0000	0000	0000	6563-3	1125-2	4688-3	1250-2	6975+2	
	0000	0000	1224+0	1056+0	1169+0	1171+0	1366+0	1883+0	0000	0000	0000	0000	0000	0000						

PRJ	RUN	GROUP	CONF	MACH	X/D	1	2	3	4	5	6	7	8	9	Po	q	Pinf	Re	To
0626	0012	0172	0003	5000+0	6937+0														
02	5478-2	5493-2	5456-2	5609-2	0000	0000	0000	0000	0000	0000	0000	0000	0000	0000	3129+1	1035+0	5913-2	1305-1	5845+2
	1751-3	1659-3	1744-3	1793-3	0000	0000	0000	0000	0000	0000	0000	0000	0000	0000	6406-3	1094-2	4688-3	1266-2	6975+2
	9263-1	8783-1	9226-1	9485-1	0000	0000	0000	0000	0000	0000	0000	0000	0000	0000					
03	5478-2	5099-2	5640-2	6157-2	6996-2	6756-2	6942-2	6192-2	0000	0000	0000	0000	0000	0000	3154+1	1043+0	5960-2	1319-1	5845+2
	1737-3	1617-3	1788-3	1952-3	2218-3	2142-3	2201-3	1963-3	0000	0000	0000	0000	0000	0000	7031-3	1063-2	5156-3	1266-2	6975+2
	9189-1	8556-1	9462-1	1033+0	1174+0	1133+0	1165+0	1039+0	0000	0000	0000	0000	0000	0000					
05	0000	0000	7236-2	6126-2	6763-2	6849-2	7978-2	1089-1	0000	0000	0000	0000	0000	0000	3120+1	1032+0	5897-2	1307-1	5840+2
	0000	0000	2319-3	1963-3	2168-3	2195-3	2557-3	3493-3	0000	0000	0000	0000	0000	0000	6719-3	1125-2	1063-2	1266-2	6975+2
	0000	0000	1227+0	1039+0	1147+0	1162+0	1353+0	1848+0	0000	0000	0000	0000	0000	0000					

PROJ RUN GROUP CONF MACH X/D  
0626 0012 0173 0003 5000+0 7554+0

	1	2	3	4	5	6	7	8	9	Po	q	Pinf	Re	To
02	5275-2	5037-2	5394-2	5499-2	0000	0000	0000	0000	0000	3053+1	1025+0	5556-2	1298-1	5840+2
	1702-3	1626-3	1741-3	1775-3	0000	0000	0000	0000	0000	6719-3	1063-2	5686-3	1266-2	6975+2
	9008-1	8603-1	9212-1	9391-1	0000	0000	0000	0000	0000					
03	5306-2	5084-2	5471-2	6047-2	6934-2	6616-2	6803-2	6687-2	0000	3115+1	1034+0	5693-2	1306-1	5840+2
	1702-3	1631-3	1755-3	1935-3	2224-3	2122-3	2182-3	2145-3	0000	5759-3	1063-2	9644-3	1266-2	6975+2
	9004-1	8628-1	9285-1	1026+0	1177+0	1123+0	1154+0	1135+0	0000					
05	0000	0000	7161-2	6157-2	6809-2	6849-2	7993-2	1059-1	0000	3140+1	1039+0	5935-2	1316-1	5840+2
	0000	0000	2280-3	1961-3	2168-3	2181-3	2545-3	3372-3	0000	6875-3	1063-2	9244-3	1281-2	6975+2
	0000	0000	1207+0	1037+0	1147+0	1154+0	1347+0	1784+0	0000					

PROJ RUN GROUP CONF MACH X/D  
0626 0012 0174 0003 4030+0 1022+0

	1	2	3	4	5	6	7	8	9	Po	q	Pinf	Re	To
02	1236-1	1082-1	2606-1	1075-1	0000	0000	0000	0000	0000	7317+1	5265+0	4631-1	4942-1	5830+2
	1689-3	1479-3	3562-3	1469-3	0000	0000	0000	0000	0000	2859-2	5778-2	3683-2	6000-2	6975+2
	2669-1	2337-1	5628-1	2321-1	0000	0000	0000	0000	0000					
03	1175-1	1808-1	3482-1	3458-1	2209-1	1191-1	3977-1	7159-1	0000	7303+1	5254+0	4622-1	4920-1	5840+2
	1609-3	2475-3	4768-3	4734-3	3025-3	1630-3	5445-3	9803-3	0000	2703-2	5625-2	3656-2	5922-2	6975+2
	2542-1	3911-1	7535-1	7581-1	4779-1	2576-1	8604-1	1549+0	0000					
05	0000	0000	4554-1	4523-1	4815-1	4566-1	6877-1	8067-1	0000	7287+1	5243+0	4611-1	4903-1	5845+2
	0000	0000	6249-3	6207-3	6608-3	6293-3	9438-3	1107-2	0000	2953-2	5563-2	3563-2	5953-2	6975+2
	0000	0000	9874-1	9608-1	1044+0	9944-1	1491+0	1749+0	0000					

PROJ	RUN	GROUP	CONF	KACH	X/D	1	2	3	4	5	6	7	8	9	Po	q	Pinf	Re	To	
0626	0012	0175	0003	4030+0	1977+0															
02	1227-1	4674-1	4607-1	1231-1	0000	0000	0000	0000	0000	0000	0000	0000	0000	0000	7295+1	5251+0	4619-1	4929-1	5830+2	
	1681-3	6404	6313-3	1687-3	0000	0000	0000	0000	0000	0000	0000	0000	0000	0000	2656-2	5641-2	3563-2	5906-2	6975+2	
	2656-1	1012+0	9975-1	2666-1	0000	0000	0000	0000	0000	0000	0000	0000	0000	0000					6975+2	
03	1682-1	4061-1	4089-1	4337-1	4353-1	1966-1	2628-1	4379-1	0000	0000	0000	0000	0000	0000	7301+1	5253+0	4620-1	4938-1	5825+2	
	2304-3	5563-3	5601-3	5539-3	5963-3	2693-3	3600-3	5998-3	0000	0000	0000	0000	0000	0000	2859-2	5609-2	3547-2	5938-2	6975+2	
	3641-1	8789-1	8851-1	9326-1	9422-1	4255-1	5689-1	9478-1	0000	0000	0000	0000	0000	0000					6975+2	
05	0000	0000	4552-1	4817-1	4599-1	6892-1	8137-1	0000	0000	0000	0000	0000	0000	0000	7303+1	5254+0	4622-1	4946-1	5820+2	
	0000	0000	6233-3	6213-3	6595-3	6298-3	9438-3	1114-2	0000	0000	0000	0000	0000	0000	2953-2	5984-2	3719-2	5984-2	6975+2	
	0000	0000	9849-1	9516-1	1042+0	9952-1	1491+0	1760+0	0000	0000	0000	0000	0000	0000					6975+2	

PROJ	RUN	GROUP	CONF	KACH	X/D	1	2	3	4	5	6	7	8	9	Po	q	Pinf	Re	To
0626	0012	0176	0003	4030+0	2975+0														
02	4821-1	4708-1	4672-1	4869-1	0000	0000	0000	0000	0000	0000	0000	0000	0000	0000	7319+1	5266+0	4632-1	4969-1	5810+2
	6586-3	6433-3	6383-3	6652-3	0000	0000	0000	0000	0000	0000	0000	0000	0000	0000	2781-2	5563-2	3641-2	5938-2	6975+2
	1041+0	1016+0	1009+0	1051+0	0000	0000	0000	0000	0000	0000	0000	0000	0000	0000					6975+2
03	4204-1	4869-1	3862-1	4206-1	5093-1	4614-1	2582-1	3269-1	0000	0000	0000	0000	0000	0000	7324+1	5269+0	4635-1	4973-1	5810+2
	5740-3	6648-3	5273-3	5743-3	6954-3	6293-3	3525-3	4464-3	0000	0000	0000	0000	0000	0000	3016-2	5750-2	3641-2	5938-2	6975+2
	9069-1	1050+0	8332-1	9073-1	1099+0	9254-1	5570-1	7053-1	0000	0000	0000	0000	0000	0000					6975+2
05	0000	0000	4558-1	4532-1	4813-1	4603-1	6916-1	8121-1	0000	0000	0000	0000	0000	0000	7317+1	5265+0	4631-1	4968-1	5810+2
	0000	0000	6229-3	6194-3	6578-3	6291-3	9451-3	1109-2	0000	0000	0000	0000	0000	0000	2906-2	5750-2	3563-2	5938-2	6975+2
	0000	0000	9843-1	9787-1	1039+0	9939-1	1493+0	1754+0	0000	0000	0000	0000	0000	0000					6975+2



PROJ RUN GROUP CONF FACH X/D  
0626 0012 0177 0003 4030+0 4953+0

	1	2	3	4	5	6	7	8	9	Po	q	Pinf	Re	To
02	4719-1	4471-1	4205-1	4631-1	0000	0000	0000	0000	0000	7322+1	5268+0	4634-1	4939-1	5835+2
	6445-3	6107-3	5743-3	6325-3	0000	0000	0000	0000	0000	2906-2	5703-2	3603-2	5953-2	6975+2
	3018+0	9649-1	9074-1	9994-1	0000	0000	0000	0000	0000					
03	4704-1	4671-1	4056-1	4487-1	4857-1	4949-1	5029-1	3062-1	0000	7313+1	5261+0	4628-1	4920-1	5945+2
	6432-3	6388-3	5546-3	6136-3	6642-3	6768-3	6878-3	4187-3	0000	3016-2	5641-2	3656-2	5906-2	6975+2
	1016+0	1009+0	8764-1	9695-1	1049+0	1069+0	1087+0	6616-1	0000					
05	0000	0000	4547-1	4540-1	4808-1	4575-1	6896-1	8137-1	0000	7303+1	5254+0	4622-1	4901-1	5855+2
	0000	0000	6227-3	6217-3	6563-3	6264-3	9442-3	1114-2	0000	2922-2	5719-2	3563-2	5969-2	6975+2
	0000	0000	9839-1	9823-1	1040+0	9538-1	1492+0	1760+0	0000					

PROJ RUN GROUP CONF FACH X/D  
0626 0012 0176 0003 4030+0 6937+0

	1	2	3	4	5	6	7	8	9	Po	q	Pinf	Re	To
02	4480-1	4239-1	4185-1	4449-1	0000	0000	0000	0000	0000	7275+1	5234+0	4604-1	4901-1	5840+2
	6159-3	5827-3	5752-3	6116-3	0000	0000	0000	0000	0000	2781-2	5906-2	3641-2	5044-2	6975+2
	9731-1	9207-1	9089-1	9664-1	0000	0000	0000	0000	0000					
03	4434-1	4446-1	4192-1	4503-1	4656-1	4653-1	4638-1	4598-1	0000	7275+1	5234+0	4604-1	4920-1	5825+2
	6094-3	6112-3	5763-3	6189-3	6400-3	6356-3	6376-3	6307-3	0000	2938-2	5656-2	3672-2	5922-2	6975+2
	9629-1	9657-1	9106-1	9779-1	1011+0	1011+0	1007+0	9966-1	0000					
05	0000	0000	4535-1	4531-1	4804-1	4590-1	6882-1	8145-1	0000	7289+1	5244+0	4613-1	4949-1	5810+2
	0000	0000	6222-3	6216-3	6591-3	6290-3	9441-3	1117-2	0000	3000-2	5534-2	3672-2	5994-2	6975+2
	0000	0000	9831-1	9822-1	1041+0	9951-1	1492+0	1766+0	0000					

PROJ	RUN	GROUP	CONF	MACH	X/D	1	2	3	4	5	6	7	8	9	Po	q	Pinf	Re	To	
0626	0012	0179	0003	4030+0	7954+0															
02	4371-1	4202-1	4185-1	4393-1	0000	0000	0000	0000	0000	0000	0000	0000	0000	0000	7294+1	5248+0	4616-1	4984-1	5785+2	
	5993-3	5760-3	5737-3	6023-3	0000	0000	0000	0000	0000	0000	0000	0000	0000	0000	2938-2	5547-2	3625-2	5969-2	6975+2	
	9469-1	9102-1	9066-1	9517-1	0000	0000	0000	0000	0000	0000	0000	0000	0000	0000						
03	4427-1	4403-1	4194-1	4469-1	4611-1	4636-1	4587-1	4540-1							7301+1	5253+0	4620-1	5002-1	5775+2	
	6064-3	6030-3	5744-3	6122-3	6316-3	6349-3	6283-3	6219-3							2797-2	5721-2	3625-2	5906-2	6975+2	
	9582-1	9529-1	9077-1	9674-1	9980-1	1003+0	9928-1	9826-1												
05	0000	0000	4544-1	4540-1	4790-1	4584-1	6886-1	8159-1							7315+1	5263+0	4629-1	5044-1	5750+2	
	0000	0000	6212-3	6207-3	6548-3	6267-3	9414-3	1116-2							2953-2	5703-2	3563-2	5891-2	6975+2	
	0000	0000	9816-1	9807-1	1035+0	9903-1	1488+0	1763+0												

PROJ	RUN	GROUP	CONF	MACH	X/D	1	2	3	4	5	6	7	8	9	Po	q	Pinf	Re	To
0626	0012	0180	0003	3990+0	1026+0														
02	3105-2	1856-2	4334-2	2757-2	0000	0000	0000	0000	0000	0000	0000	0000	0000	0000	1376+1	1024+0	9185-2	9487-2	5830+2
	2257-3	1349-3	3149-3	2004-3	0000	0000	0000	0000	0000	0000	0000	0000	0000	0000	1313-2	2155-2	1922-2	2266-2	6975+2
	3381-1	2021-1	4713-1	3002-1	0000	0000	0000	0000	0000	0000	0000	0000	0000	0000					
03	3714-2	4554-2	3857-2	4481-2	4959-2	4104-2	7560-2	1317-1							1362+1	1013+0	9091-2	9766-2	5840+2
	2727-3	3343-3	2832-3	3289-3	3641-3	3013-3	5551-3	9672-3							1281-2	2141-2	1906-2	2250-2	6975+2
	4085-1	5009-1	4243-1	4929-1	5455-1	4514-1	6316-1	1449+0											
05	0000	0000	9651-2	9682-2	1062-1	1042-1	1276-1	1621-1							1354+1	1007+0	9039-2	9300-2	5845+2
	0000	0000	7127-3	7149-3	7227-3	7696-3	9419-3	1197-2							1281-2	2054-2	1875-2	2250-2	6975+2
	0000	0000	1062+0	1071+0	1132+0	1153+0	1411+0	1793+0											

PROJ RUN GROUP CONF MACH X/D  
0626 0012 01E1 0003 3950+0 1977+0

	1	2	3	4	5	6	7	8	9	Po	q	Pinf	Re	To
02	3168-2	8796-2	9374-2	3058-2	0000	0000	0000	0000	0000	1353+1	1006+0	9029-2	9278-2	5550+2
	2342-3	6503-3	6930-3	2224-3	0000	0000	0000	0000	0000	1297-2	2063-2	1275-2	2250-2	6975+2
	3509-1	9742-1	1038+0	3332-1	0000	0000	0000	0000	0000					
03	4354-2	6409-2	8621-2	8805-2	7369-2	5353-2	5643-2	8777-2	0000	1362+1	1013+0	9091-2	9342-2	5850+2
	3197-3	4706-3	6329-3	6464-3	5410-3	3952-3	4443-3	6444-3	0000	1250-2	2016-2	1244-2	2234-2	6975+2
	4789-1	7051-1	9483-1	9685-1	8106-1	5921-1	6207-1	9654-1	0000					
05	0000	0000	9574-2	9353-2	9997-2	1027-1	1255-1	1580-1	0000	1369+1	1018+0	9138-2	9402-2	5845+2
	0000	0000	6993-3	6232-3	7302-3	7499-3	9169-3	1154-2	0000	1234-2	2047-2	1228-2	2152-2	6975+2
	0000	0000	1048+0	1024+0	1094+0	1124+0	1374+0	1729+0	0000					

PROJ RUN GROUP CONF MACH X/D  
0626 0012 01E2 0003 3950+0 2975+0

	1	2	3	4	5	6	7	8	9	Po	q	Pinf	Re	To
02	9582-2	1062-1	1049-1	1051-1	0000	0000	0000	0000	0000	1385+1	1031+0	9242-2	9539-2	5635+2
	6916-3	7666-3	7576-3	7587-3	0000	0000	0000	0000	0000	1266-2	2031-2	1622-2	2162-2	6975+2
	1036+0	1148+0	1135+0	1137+0	0000	0000	0000	0000	0000					
03	6913-2	8796-2	1022-1	1010-1	9717-2	7739-2	5891-2	6765-2	0000	1384+1	1029+0	9237-2	9541-2	5830+2
	4995-3	6356-3	7385-3	7302-3	7021-3	5592-3	4256-3	4858-3	0000	1266-2	2047-2	1644-2	2188-2	6975+2
	7484-1	9523-1	1106+0	1094+0	1052+0	8378-1	6377-1	7323-1	0000					
05	0000	0000	9697-2	9384-2	9966-2	1031-1	1262-1	1562-1	0000	1376+1	1024+0	9185-2	9487-2	5830+2
	0000	0000	7047-3	6819-3	7242-3	7495-3	9168-3	1135-2	0000	1219-2	2076-2	1922-2	2250-2	6975+2
	0000	0000	1056+0	1022+0	1085+0	1123+0	1374+0	1700+0	0000					

PROJ	RUN	GROUP	CONF	MACH	X/D	1	2	3	4	5	6	7	8	9	Po	q	Pinf	Re	To	
0626	0012	0183	0003	3990+0	4958+0															
02	9659-2	9482-2	9559-2	9682-2	0000	0000	0000	0000	0000	0000	0000	0000	0000	0000	1364+1	1015+0	9407-2	9431-2	5820+2	
	7079-3	6949-3	7006-3	7096-3	0000	0000	0000	0000	0000	0000	0000	0000	0000	0000	1250-2	2047-2	1933-2	2250-2	6975+2	
	1061+0	1041+0	1049+0	1063+0	0000	0000	0000	0000	0000	0000	0000	0000	0000	0000					6975+2	
03	9285-2	8936-2	9405-2	9431-2	9888-2	9759-2	9462-2	6966-2	0000	1361+1	1012+0	9081-2	9416-2	5815+2						
	6825-3	6568-3	6913-3	6932-3	7268-3	7202-3	6955-3	5120-3	0000	1266-2	2031-2	1875-2	2250-2	6975+2						
	1023+0	9841-1	1036+0	1039+0	1059+0	1079+0	1042+0	7671-1	0000					5975+2						
05	0000	0000	9436-2	9243-2	9888-2	1020-1	1235-1	1519-1	0000	1361+1	1013+0	9086-2	9421-2	5815+2						
	0000	0000	6932-3	6790-3	7264-3	7496-3	9075-3	1116-2	0000	1266-2	2047-2	1859-2	2250-2	6975+2						
	0000	0000	1039+0	1017+0	1088+0	1123+0	1359+0	1671+0	0000											

PROJ	RUN	GROUP	CONF	MACH	X/D	1	2	3	4	5	6	7	8	9	Po	q	Pinf	Re	To
0626	0012	0184	0003	3990+0	6937+0														
02	9004-2	8999-2	9159-2	9165-2	0000	0000	0000	0000	0000	0000	0000	0000	0000	0000	1364+1	1014+0	9102-2	9425-2	5820+2
	6603-3	6599-3	6717-3	6721-3	0000	0000	0000	0000	0000	0000	0000	0000	0000	0000	1234-2	2031-2	1891-2	2172-2	6975+2
	9893-1	9887-1	1006+0	1007+0	0000	0000	0000	0000	0000	0000	0000	0000	0000	0000					6975+2
03	8973-2	8312-2	9113-2	9102-2	9639-2	9487-2	9617-2	9613-2	0000	1366+1	1016+0	9117-2	9441-2	5820+2					
	6569-3	6451-3	6672-3	6664-3	7057-3	6945-3	7040-3	7038-3	0000	1250-2	2031-2	1875-2	2203-2	6975+2					
	9842-1	9665-1	9996-1	9984-1	1057+0	1041+0	1055+0	1054+0	0000										
05	0000	0000	9605-2	9369-2	9966-2	1024-1	1245-1	1549-1	0000	1369+1	1018+0	9138-2	9451-2	5825+2					
	0000	0000	7016-3	6843-3	7279-3	7476-3	9091-3	1132-2	0000	1234-2	2016-2	1844-2	2203-2	6975+2					
	0000	0000	1051+0	1025+0	1091+0	1120+0	1362+0	1696+0	0000										

PROJ RUN GROUP CONF MACH X/D  
0626 0012 0165 0003 3990+0 7950+0

	1	2	3	4	5	6	7	8	9	Po	q	Pinf	Re	To
02	8973-2	8921-2	9052-2	9134-2	0000	0000	0000	0000	0000	1371+1	1020+0	9154-2	9455-2	5830+2
	6543-3	6503-3	6600-3	6659-3	0000	0000	0000	0000	0000	1250-2	2016-2	1844-2	2188-2	6975+2
	9803-1	9745-1	9689-1	9978-1	0000	0000	0000	0000	0000					6975+2
03	8770-2	8609-2	8883-2	9024-2	9562-2	9346-2	9477-2	9690-2	0000	1369+1	1018+0	9133-2	9427-2	5835+2
	6406-3	6288-3	6488-3	6591-3	6984-3	6827-3	6922-3	7078-3	0000	1250-2	2047-2	1813-2	2250-2	6975+2
	9598-1	9421-1	9721-1	9875-1	1046+0	1023+0	1037+0	1060+0	0000					6975+2
05	0000	0000	9513-2	9384-2	9997-2	1025-1	1254-1	1556-1	0000	1371+1	1019+0	9148-2	9425-2	5840+2
	0000	0000	6940-3	6847-3	7293-3	7479-3	9148-3	1135-2	0000	1250-2	2016-2	1813-2	2250-2	6975+2
	0000	0000	1039+0	1026+0	1093+0	1121+0	1371+0	1701+0	0000					6975+2

PROJ RUN GROUP CONF MACH X/D  
0626 0012 0166 0003 3000+0 1018+0

	1	2	3	4	5	6	7	8	9	Po	q	Pinf	Re	To
02	2749-1	2776-1	6079-1	2551-1	0000	0000	0000	0000	0000	4316+1	7402+0	1175+0	5002-1	5825+2
	6371-3	6432-3	1409-2	5909-3	0000	0000	0000	0000	0000	1695-1	2283-1	2178-1	2320-1	6975+2
	2340-1	2363-1	5174-1	2171-1	0000	0000	0000	0000	0000					6975+2
03	3539-1	5293-1	9015-1	9095-1	6869-1	3760-1	7899-1	1467+0	0000	4317+1	7405+0	1175+0	5004-1	5825+2
	8198-3	1226-2	2088-2	2107-2	1591-2	8709-3	1829-2	3397-2	0000	1681-1	2322-1	2178-1	2322-1	6975+2
	3011-1	4504-1	7670-1	7738-1	5344-1	3195-1	6720-1	1248+0	0000					6975+2
05	0000	0000	9667-1	1216+0	1161+0	1041+0	1604+0	1799+0	0000	4328+1	7423+0	1178+0	5016-1	5825+2
	0000	0000	2233-2	2609-2	2682-2	2405-2	3705-2	4156-2	0000	1697-1	2286-1	2175-1	2325-1	6975+2
	0000	0000	8204-1	1032+0	9852-1	8634-1	1361+0	1527+0	0000					6975+2

PROJ RUN GROUP CONF MACH X/D  
0626 0012 0187 0003 3000+C 1977+0

	1	2	3	4	5	6	7	8	9	Po	q	Pinf	Re	To
02	2973-1	1302+0	1303+0	8538-1	0000	0000	0000	0000	0000	4316+1	7402+0	1175+0	4995-1	5830+2
	8888-3	3018-2	3019-2	1978-2	0000	0000	0000	0000	0000	1659+1	2275-1	2148-1	2305-1	6975+2
	2530-1	1108+0	1109+0	7267-1	0000	0000	0000	0000	0000					
03	7325-1	1121+0	1281+0	1296+0	1159+0	8193-1	6217-1	8689-1	0000	4323+1	7414+0	1177+0	5003-1	5830+2
	1695-2	2593-2	2964-2	2598-2	2682-2	1895-2	1438-2	2010-2	0000	1669-1	2259-1	2153-1	2305-1	6975+2
	6224-1	9526-1	1089+0	1101+0	9851-1	6962-1	5283-1	7383-1	0000					
05	0000	0000	9698-1	1214+0	1159+0	1039+0	1597+0	1790+0	0000	4310+1	7393+0	1173+0	4989-1	5830+2
	0000	0000	2249-2	2817-2	2688-2	2409-2	3704-2	4154-2	0000	1667-1	2261-1	2141-1	2282-1	6975+2
	0000	0000	8264-1	1035+0	9873-1	8251-1	1361+0	1526+0	0000					

PROJ RUN GROUP CONF MACH X/D  
0626 0012 0188 0003 3000+0 2975+0

	1	2	3	4	5	6	7	8	9	Po	q	Pinf	Re	To
02	1274+0	1248+0	1230+0	1272+0	0000	0000	0000	0000	0000	4313+1	7355+0	1174+0	4993-1	5830+2
	2952-2	2893-2	2852-2	2949-2	0000	0000	0000	0000	0000	1667-1	2250-1	2128-1	2297-1	6975+2
	1085+0	1063+0	1047+0	1083+0	0000	0000	0000	0000	0000					
03	1200+0	1268+0	1221+0	1239+0	1272+0	1239+0	7483-1	7206-1	0000	4317+1	7405+0	1175+0	4951-1	5835+2
	2781-2	2937-2	2828-2	2870-2	2946-2	2870-2	1733-2	1669-2	0000	1664-1	2266-1	2144-1	2297-1	6975+2
	1024+0	1079+0	1039+0	1054+0	1082+0	1054+0	6367-1	6131-1	0000					
05	0000	0000	9659-1	1212+0	1155+0	1039+0	1593+0	1793+0	0000	4314+1	7353+0	1174+0	4987-1	5835+2
	0000	0000	2239-2	2809-2	2678-2	2409-2	3693-2	4155-2	0000	1661-1	2253-1	2141-1	2295-1	6975+2
	0000	0000	8224-1	1032+0	9637-1	8849-1	1357+0	1506+0	0000					

PROJ RUN GROUP CONF MACH X/D  
0626 0012 0189 0003 3000+0 4954+0

	1	2	3	4	5	6	7	8	9	Po	q	Pinf	Re	To
02	1186+0	1167+0	1163+0	1151+0	0000	0000	0000	0000	0000	4295+1	7367+0	1169+0	4965-1	5835+2
	2769-2	2717-2	2708-2	2748-2	0000	0000	0000	0000	0000	1677-1	2273-1	2134-1	2294-1	6975+2
	1014+0	9979-1	9947-1	1009+0	0000	0000	0000	0000	0000					
03	1163+0	1179+0	1143+0	1174+0	1183+0	1192+0	1186+0	1172+0	0000	4302+1	7378+0	1171+0	4973-1	5835+2
	2704-2	2742-2	2658-2	2739-2	2751-2	2770-2	2756-2	2725-2	0000	1664-1	2247-1	2128-1	2298-1	6975+2
	9932-1	1007+0	9762-1	1003+0	1010+0	1018+0	1013+0	1001+0	0000					
05	0000	0000	9689-1	1209+0	1158+0	1039+0	1594+0	1801+0	0000	4306+1	7385+0	1172+0	4971-1	5840+2
	0000	0000	2250-2	2809-2	2689-2	2414-2	3703-2	4183-2	0000	1672-1	2273-1	2142-1	2289-1	6975+2
	0000	0000	8267-1	1032+0	9877-1	8867-1	1360+0	1537+0	0000					

PROJ RUN GROUP CONF MACH X/D  
0626 0012 0190 0003 3000+0 6940+0

	1	2	3	4	5	6	7	8	9	Po	q	Pinf	Re	To
02	1155+0	1126+0	1119+0	1142+0	0000	0000	0000	0000	0000	4314+1	7395+0	1174+0	4981-1	5840+2
	2678-2	2609-2	2595-2	2648-2	0000	0000	0000	0000	0000	1694-1	2278-1	2139-1	2302-1	6975+2
	9837-1	9585-1	9532-1	9727-1	0000	0000	0000	0000	0000					
03	1129+0	1131+0	1100+0	1124+0	1184+0	1143+0	1148+0	1113+0	0000	4304+1	7382+0	1172+0	4988-1	5825+2
	2625-2	2628-2	2556-2	2611-2	2751-2	2655-2	2668-2	2587-2	0000	1677-1	2252-1	2131-1	2300-1	6975+2
	9641-1	9654-1	9390-1	9589-1	1011+0	9752-1	9802-1	9502-1	0000					
05	0000	0000	9628-1	1206+0	1153+0	1035+0	1589+0	1793+0	0000	4282+1	7344+0	1166+0	4963-1	5825+2
	0000	0000	2248-2	2815-2	2693-2	2415-2	3710-2	4186-2	0000	1653-1	2259-1	2142-1	2261-1	6975+2
	0000	0000	8259-1	1034+0	9691-1	8682-1	1363+0	1538+0	0000					

PROJ RUN GROUP CONF MACH X/D  
0626 0012 0191 0003 3000+0 7954+0

	1	2	3	4	5	6	7	8	9	Po	q	Pinf	Re	To
02	1133+0	1119+0	1116+0	1138+0	0000	0000	0000	0000	0000	4300+1	7375+0	1171+0	4997-1	5815+2
	2634-2	2602-2	2594-2	2648-2	0000	0000	0000	0000	0000	1658-1	2272-1	2133-1	2294-1	6975+2
	9877-1	9556-1	9530-1	9725-1	0000	0000	0000	0000	0000					6975+2
03	1113+0	1142+0	1099+0	1131+0	1213+0	1135+0	1132+0	1148+0	0000	4306+1	7386+0	1172+0	5004-1	5815+2
	2985-2	2652-2	2553-2	2626-2	2816-2	2635-2	2629-2	2666-2	0000	1666-1	2269-1	2139-1	2297-1	6975+2
	9497-1	9741-1	9379-1	9645-1	1034+0	9681-1	9657-1	9795-1	0000					6975+2
05	0000	0000	9628-1	1209+0	1153+0	1035+0	1594+0	1799+0	0000	4308+1	7369+0	1173+0	5006-1	5815+2
	0000	0000	2235-2	2806-2	2677-2	2404-2	3701-2	4176-2	0000	1679-1	2241-1	2133-1	2302-1	6975+2
	0000	0000	8209-1	1031+0	9832-1	8829-1	1359+0	1534+0	0000					6975+2

PROJ RUN GROUP CONF MACH X/D  
0626 0012 0192 0003 2550+0 1007+0

	1	2	3	4	5	6	7	8	9	Po	q	Pinf	Re	To
02	4900-2	3634-2	9129-2	4308-2	0000	0000	0000	0000	0000	5925+0	1033+0	1662-1	6948-2	5820+2
	8271-3	6133-3	1541-2	7272-3	0000	0000	0000	0000	0000	3109-2	4406-2	4000-2	4734-2	6975+2
	2948-1	2186-1	5492-1	2592-1	0000	0000	0000	0000	0000					6975+2
03	7209-2	8921-2	1271-1	1314-1	1233-1	7911-2	1169-1	2040-1	0000	5915+0	1032+0	1659-1	6937-2	5820+2
	1219-2	1508-2	2145-2	2222-2	2084-2	1337-2	1976-2	3449-2	0000	3109-2	4375-2	4000-2	4734-2	6975+2
	4344-1	5375-1	7658-1	7920-1	7429-1	4767-1	7043-1	1229+0	0000					6975+2
05	0000	0000	1535-1	1809-1	1797-1	1874-1	2276-1	2543-1	0000	5909+0	1031+0	1658-1	6929-2	5820+2
	0000	0000	2552-2	3062-2	3041-2	3171-2	3851-2	4304-2	0000	3078-2	4325-2	4000-2	4734-2	6975+2
	0000	0000	9261-1	1091+0	1024+0	1130+0	1373+0	1534+0	0000					6975+2



PROJ RUN GROUP COMF MACH X/D  
0626 0012 0193 0003 2960+0 1977+0

	1	2	3	4	5	6	7	8	9	Po	q	Pinf	Re	To
02	5415-2	1985-1	2036-1	1706-1	0000	0000	0000	0000	0000	5936+0	1035+0	1665-1	6961-2	5820+2
	9123-3	3345-2	3430-2	2874-2	0000	0000	0000	0000	0000	3016-2	4328-2	3844-2	4719-2	6975+2
	3252-1	1192+0	1223+0	1025+0	0000	0000	0000	0000	0000					6975+2
03	1129-1	1631-1	1943-1	1998-1	1789-1	1254-1	1017-1	1269-1	0000	5934+0	1035+0	1665-1	6959-2	5820+2
	1904-2	2749-2	3273-2	3366-2	3016-2	2114-2	1714-2	2139-2	0000	2984-2	4297-2	3828-2	4719-2	6975+2
	6787-1	9799-1	1167+0	1199+0	1075+0	7535-1	6111-1	7625-1	0000					6975+2
05	0000	0000	1534-1	1803-1	1793-1	1866-1	2268-1	2528-1	0000	5912+0	1031+0	1659-1	6933-2	5820+2
	0000	0000	2594-2	3049-2	3032-2	3456-2	3836-2	4276-2	0000	3000-2	4328-2	3828-2	4703-2	6975+2
	0000	0000	9247-1	1087+0	1081+0	1125+0	1367+0	1524+0	0000					6975+2

PROJ RUN GROUP COMF MACH X/D  
0626 0012 0194 0003 2980+0 2975+0

	1	2	3	4	5	6	7	8	9	Po	q	Pinf	Re	To
02	1907-1	1823-1	1898-1	1908-1	0000	0000	0000	0000	0000	5926+0	1034+0	1663-1	6959-2	5815+2
	3218-2	3076-2	3203-2	3219-2	0000	0000	0000	0000	0000	3000-2	4343-2	3922-2	4703-2	6975+2
	1147+0	1057+0	1142+0	1148+0	0000	0000	0000	0000	0000					6975+2
03	1769-1	1847-1	1841-1	1877-1	1993-1	1839-1	1299-1	1142-1	0000	5926+0	1034+0	1663-1	6959-2	5815+2
	2986-2	3116-2	3107-2	3167-2	3363-2	3104-2	2191-2	1928-2	0000	3031-2	4328-2	3859-2	4719-2	6975+2
	1064+0	1111+0	1107+0	1129+0	1199+0	1106+0	7811-1	6871-1	0000					6975+2
05	0000	0000	1534-1	1795-1	1788-1	1863-1	2273-1	2522-1	0000	5922+0	1033+0	1661-1	6953-2	5815+2
	0000	0000	2590-2	3032-2	3019-2	3146-2	3838-2	4258-2	0000	3016-2	4297-2	3922-2	4703-2	6975+2
	0000	0000	9232-1	1081+0	1076+0	1121+0	1368+0	1518+0	0000					6975+2

PROJ RUN	GROUP	CONF	MACE	X/D	1	2	3	4	5	6	7	8	9	Po	q	Pinf	Re	To	
0626	0012	0195	0003	2980+0	4924+0														
02	1781-1	1726-1	1775-1	1770-1	0000	0000	0000	0000	0000	0000	0000	0000	0000	5955+0	1038+0	1671-1	6992-2	5815+2	
	2990-2	2899-2	2981-2	2973-2	0000	0000	0000	0000	0000	0000	0000	0000	0000	3031-2	4328-2	4000-2	4703-2	6975+2	
	1066+0	1033+0	1063+0	1059+0	0000	0000	0000	0000	0000	0000	0000	0000	0000					6975+2	
03	1734-1	1749-1	1732-1	1741-1	1782-1	1760-1	1789-1	1776-1	0000	0000	0000	0000	0000	5919+0	1032+0	1660-1	6949-2	5815+2	
	2964-2	2957-2	2926-2	2941-2	3010-2	2974-2	3022-2	2999-2	0000	0000	0000	0000	0000	2984-2	4328-2	3953-2	4578-2	6975+2	
	1056+0	1054+0	1043+0	1048+0	1073+0	1059+0	1077+0	1069+0	0000	0000	0000	0000	0000					6975+2	
05	0000	0000	1532-1	1792-1	1769-1	1852-1	2257-1	2522-1	0000	0000	0000	0000	0000	5912+0	1031+0	1659-1	6951-2	5810+2	
	0000	0000	2991-2	3031-2	2992-2	3133-2	3818-2	4265-2	0000	0000	0000	0000	0000	2969-2	4344-2	3844-2	4625-2	6975+2	
	0000	0000	9237-1	1081+0	1067+0	1117+0	1361+0	1520+0	0000	0000	0000	0000	0000					6975+2	

PROJ RUN	GROUP	CONF	MACE	X/D	1	2	3	4	5	6	7	8	9	Po	q	Pinf	Re	To
0626	0012	0196	0003	2980+0	6937+0													
02	1726-1	1716-1	1784-1	1761-1	0000	0000	0000	0000	0000	0000	0000	0000	0000	5909+0	1031+0	1658-1	6947-2	5210+2
	2921-2	2903-2	3019-2	2979-2	0000	0000	0000	0000	0000	0000	0000	0000	0000	2969-2	4328-2	3938-2	4625-2	6975+2
	1041+0	1035+0	1076+0	1062+0	0000	0000	0000	0000	0000	0000	0000	0000	0000					6975+2
03	1737-1	1734-1	1743-1	1761-1	1847-1	1785-1	1738-1	1783-1	0000	0000	0000	0000	0000	5909+0	1031+0	1658-1	6947-2	5210+2
	2939-2	2935-2	2949-2	2979-2	3126-2	3021-2	2941-2	3018-2	0000	0000	0000	0000	0000	3016-2	4328-2	3844-2	4625-2	6975+2
	1048+0	1046+0	1051+0	1062+0	1114+0	1077+0	1046+0	1076+0	0000	0000	0000	0000	0000					6975+2
05	0000	0000	1528-1	1789-1	1772-1	1855-1	2267+1	2532-1	0000	0000	0000	0000	0000	5920+0	1032+0	1661-1	6960-2	5810+2
	0000	0000	2980-2	3022-2	2994-2	3134-2	3829-2	4272-2	0000	0000	0000	0000	0000	2938-2	4328-2	3844-2	4625-2	6975+2
	0000	0000	9197-1	1077+0	1067+0	1117+0	1365+0	1525+0	0000	0000	0000	0000	0000					6975+2

PROJ RUN GROUP CONF MACH X/D  
0626 0012 C197 0003 2980+0 7950+0

	1	2	3	4	5	6	7	8	9	Po	q	Pinf	Re	To
02	1732-1	1741-1	1789-1	1748-1	0000	0000	0000	0000	0000	5928+0	1034+0	1663-1	6969-2	5810+2
	2922-2	2936-2	3015-2	2949-2	0000	0000	0000	0000	0000	2969-2	4313-2	3875-2	4531-2	6975+2
	1042+0	1047+0	1076+0	1051+0	0000	0000	0000	0000	0000					
03	1699-1	1739-1	1758-1	1786-1	1859-1	1749-1	1844-1	1833-1	0000	5926+0	1034+0	1663-1	6968-2	5810+2
	2868-2	2934-2	2967-2	3014-2	3153-2	2951-2	3112-2	3093-2	0000	2953-2	4313-2	3969-2	4547-2	6975+2
	1022+0	1046+0	1057+0	1074+0	1124+0	1052+0	1109+0	1102+0	0000					
05	0000	0000	1534-1	1792-1	1783-1	1852-1	2265-1	2522-1	0000	5919+0	1032+0	1660-1	6967-2	5805+2
	0000	0000	2591-2	3028-2	3013-2	3129-2	3827-2	4261-2	0000	2953-2	4328-2	3859-2	4531-2	6975+2
	0000	0000	9237-1	1079+0	1074+0	1115+0	1364+0	1519+0	0000					

PROJ RUN GROUP CONF MACH X/D  
0626 0012 0198 0003 2000+0 1022+0

	1	2	3	4	5	6	7	8	9	Po	q	Pinf	Re	To
02	2115-1	2665-1	2720-1	2071-1	0000	0000	0000	0000	0000	2842+0	1017+0	3633-1	5452-2	5815+2
	7439-2	9377-2	9570-2	7287-2	0000	0000	0000	0000	0000	2219-1	2309-1	2266-1	2311-1	6975+2
	5821-1	7337-1	7488-1	5701-1	0000	0000	0000	0000	0000					
03	2383-1	2732-1	2803-1	2809-1	2814-1	2493-1	2797-1	3342-1	0000	2835+0	1014+0	3623-1	5450-2	5820+2
	8407-2	9639-2	9889-2	9909-2	9928-2	8796-2	9827-2	1179-1	0000	2215-1	2297-1	2277-1	2298-1	6975+2
	6578-1	7542-1	7738-1	7754-1	7768-1	6883-1	7720-1	9226-1	0000					
05	0000	0000	2975-1	3957-1	3529-1	4154-1	4937-1	4907-1	0000	2836+0	1015+0	3625-1	5453-2	5820+2
	0000	0000	1049-1	1395-1	1244-1	1468-1	1741-1	1730-1	0000	2214-1	2294-1	2275-1	2309-1	6975+2
	0000	0000	8208-1	1092+0	9737-1	1149+0	1362+0	1354+0	0000					

PROJ	RUN	GROUP	CONF	MACH	X/D	1	2	3	4	5	6	7	8	9	Po	q	Pinf	Re	To	
0626	0012	0199	0003	2000+0	1977+0															
02	4482-1	4490-1	4509-1	4539-1	0000	0000	0000	0000	0000	0000	0000	0000	0000	0000	2816+0	1008+0	3599-1	5418-2	5825+2	
	1592-1	1595-1	1601-1	1612-1	0000	0000	0000	0000	0000	0000	0000	0000	0000	0000	1669-1	1709-1	1725-1	1744-1	6975+2	
	1245+0	1248+0	1253+0	1261+0	0000	0000	0000	0000	0000	0000	0000	0000	0000	0000					6975+2	
03	3851-1	4258-1	4371-1	4377-1	4331-1	3996-1	2998-1	2909-1	0000	0000	0000	0000	0000	0000	2806+0	1004+0	3587-1	5393-2	5830+2	
	1372-1	1517-1	1557-1	1599-1	1543-1	1424-1	1068-1	1036-1	0000	0000	0000	0000	0000	0000	1666-1	1703-1	1728-1	1744-1	6975+2	
	1074+0	1187+0	1219+0	1220+0	1208+0	1114+0	8358-1	8109-1	0000	0000	0000	0000	0000	0000					6975+2	
05	0000	0000	2948-1	3937-1	3501-1	4141-1	4904-1	4893-1	0000	0000	0000	0000	0000	0000	2817+0	1008+0	3601-1	5414-2	5830+2	
	0000	0000	1046-1	1397-1	1243-1	1469-1	1741-1	1737-1	0000	0000	0000	0000	0000	0000	1667-1	1708-1	1734-1	1744-1	6975+2	
	0000	0000	8186-1	1093+0	9723-1	1150+0	1362+0	1359+0	0000	0000	0000	0000	0000	0000					6975+2	

PROJ	RUN	GROUP	CONF	MACH	X/D	1	2	3	4	5	6	7	8	9	Po	q	Pinf	Re	To
0626	0012	0200	0003	2000+0	2975+0														
02	4289-1	4290-1	4288-1	4327-1	0000	0000	0000	0000	0000	0000	0000	0000	0000	0000	2835+0	1014+0	3623-1	5447-2	5830+2
	1513-1	1514-1	1513-1	1527-1	0000	0000	0000	0000	0000	0000	0000	0000	0000	0000	1670-1	1706-1	1741-1	1747-1	6975+2
	1184+0	1184+0	1184+0	1194+0	0000	0000	0000	0000	0000	0000	0000	0000	0000	0000					6975+2
03	4265-1	4295-1	4225-1	4203-1	4344-1	4316-1	4117-1	3927-1	0000	0000	0000	0000	0000	0000	2817+0	1008+0	3601-1	5414-2	5830+2
	1514-1	1525-1	1499-1	1492-1	1542-1	1532-1	1461-1	1358-1	0000	0000	0000	0000	0000	0000	1667-1	1705-1	1719-1	1733-1	6975+2
	1184+0	1193+0	1173+0	1167+0	1206+0	1199+0	1143+0	1063+0	0000	0000	0000	0000	0000	0000					6975+2
05	0000	0000	2965-1	3939-1	3479-1	4122-1	4872-1	4833-1	0000	0000	0000	0000	0000	0000	2816+0	1008+0	3599-1	5411-2	5830+2
	0000	0000	1053-1	1399-1	1236-1	1464-1	1730-1	1716-1	0000	0000	0000	0000	0000	0000	1669-1	1703-1	1722-1	1742-1	6975+2
	0000	0000	8238-1	1094+0	9669-1	1146+0	1354+0	1343+0	0000	0000	0000	0000	0000	0000					6975+2

PROJ RUN GROUP CONF FACE X/D  
0626 0012 0201 0003 2000+0 4934+0

	1	2	3	4	5	6	7	8	9	Po	q	Pinf	Re	To
02	3954-1	3832-1	3925-1	3972-1	0000	0000	0000	0000	0000	2831+0	1013+0	3515-1	5441-2	5830+2
	1397-1	1353-1	1386-1	1403-1	0000	0000	0000	0000	0000	1670-1	1706-1	1734-1	1747-1	6975+2
	1093+0	1059+0	1085+0	1097+0	0000	0000	0000	0000	0000					6975+2
03	4039-1	3974-1	3916-1	3910-1	3930-1	4059-1	4225-1	4099-1	0000	2841+0	1017+0	3631-1	5459-2	5830+2
	1422-1	1399-1	1378-1	1377-1	1384-1	1429-1	1487-1	1443-1	0000	1677-1	1705-1	1733-1	1753-1	6975+2
	1112+0	1095+0	1079+0	1077+0	1083+0	1118+0	1164+0	1129+0	0000					6975+2
05	0000	0000	2989-1	3986-1	3511-1	4168-1	4941-1	4915-1	0000	2844+0	1018+0	3635-1	5465-2	5930+2
	0000	0000	1051-1	1401-1	1234-1	1465-1	1738-1	1728-1	0000	1679-1	1716-1	1750-1	1755-1	6975+2
	0000	0000	8224-1	1097+0	9658-1	1147+0	1355+0	1352+0	0000					6975+2

PROJ RUN GROUP CONF MACH X/D  
0626 0012 0202 0003 2000+0 6937+0

	1	2	3	4	5	6	7	8	9	Po	q	Pinf	Re	To
02	3983-1	3883-1	4033-1	3982-1	0000	0000	0000	0000	0000	2819+0	1009+0	3603-1	5417-2	5830+2
	1413-1	1378-1	1431-1	1413-1	0000	0000	0000	0000	0000	1670-1	1700-1	1725-1	1747-1	6975+2
	1105+0	1078+0	1119+0	1105+0	0000	0000	0000	0000	0000					6975+2
03	3964-1	3922-1	3971-1	4031-1	4028-1	4026-1	4039-1	4139-1	0000	2833+0	1014+0	3621-1	5444-2	5830+2
	1399-1	1385-1	1402-1	1423-1	1422-1	1421-1	1426-1	1461-1	0000	1669-1	1697-1	1733-1	1745-1	6975+2
	1095+0	1083+0	1097+0	1113+0	1113+0	1112+0	1116+0	1143+0	0000					6975+2
05	0000	0000	2969-1	3954-1	3486-1	4143-1	4901-1	4878-1	0000	2831+0	1013+0	3619-1	5441-2	5830+2
	0000	0000	1049-1	1397-1	1231-1	1463-1	1731-1	1723-1	0000	1673-1	1708-1	1733-1	1752-1	6975+2
	0000	0000	8205-1	1093+0	9632-1	1145+0	1354+0	1348+0	0000					6975+2

PROJ RUN GROUP CONF NACH X/D  
0626 0012 0203 0003 2000+0 7950+0

1	2	3	4	5	6	7	8	9	Po	q	Pinf	Re	To
02	4125-1	3943-1	4029-1	3992-1	0000	0000	0000	0000	2827+0	1012+0	3613-1	5432-2	5830+2
	1439-1	1395-1	1426-1	1412-1	0000	0000	0000	0000	1673-1	1703-1	1733-1	1753-1	6975+2
	1142+0	1091+0	1115+0	1105+0	0000	0000	0000	0000					6975+2
03	4089-1	4119-1	3923-1	4022-1	4133-1	4113-1	4037-1	0000	2834+0	1013+0	3619-1	5441-2	5830+2
	1444-1	1455-1	1386-1	1420-1	1459-1	1452-1	1426-1	0000	1669-1	1706-1	1734-1	1747-1	6975+2
	1129+0	1138+0	1084+0	1111+0	1142+0	1136+0	1116+0	0000					6975+2
05	0000	0000	2981-1	3973-1	3514-1	4164-1	4937-1	0000	2845+0	1018+0	3637-1	5468-2	5830+2
	0000	0000	1048-1	1396-1	1235-1	1464-1	1735-1	0000	1678-1	1711-1	1744-1	1755-1	6975+2
	0000	0000	8198-1	1093+0	9662-1	1145+0	1357+0	0000					6975+2

PROJ RUN GROUP CONF NACH X/D  
0626 0012 0204 0003 2000+0 1011+0

1	2	3	4	5	6	7	8	9	Po	q	Pinf	Re	To
02	1195+0	1512+0	1529+0	1211+0	0000	0000	0000	0000	1915+1	6853+0	2448+0	3693-1	5815+2
	6240-2	7926-2	7983-2	6324-2	0000	0000	0000	0000	1371+0	1343+0	1406+0	1305+0	6975+2
	4882-1	6201-1	6246-1	4948-1	0000	0000	0000	0000					6975+2
03	1389+0	1617+0	1617+0	1660+0	1566+0	1660+0	2113+0	0000	1914+1	6850+0	2447+0	3692-1	5815+2
	7258-2	8445-2	8447-2	8673-2	7943-2	8673-2	1104-1	0000	1359+0	1330+0	1393+0	1297+0	6975+2
	5679-1	6608-1	6609-1	6786-1	6311-1	6786-1	8635-1	0000					6975+2
05	0000	0000	1836+0	2725+0	2172+0	3305+0	3219+0	0000	1893+1	6775+0	2419+0	3651-1	5815+2
	0000	0000	9697-2	1439-1	1147-1	1146-1	1700-1	0000	1350+0	1320+0	1387+0	1285+0	6975+2
	0000	0000	7587-1	1126+0	8377-1	1366+0	1330+0	0000					6975+2

PROJ RUN GROUP CONF MACH X/D  
0626 0012 0205 0003 2000+0 1980+0

	1	2	3	4	5	6	7	8	9	Po	q	Pinf	Re	To
02	2793+0	2737+0	2712+0	2799+C	0000	0000	0000	0000	0000	1900+1	6800+0	2429+C	3665-1	5815+2
	1469-1	1440-1	1427-1	1473-1	0000	0000	0000	0000	0000	1041+0	1005+0	1107+0	9586-1	6975+2
	1149+0	1127+0	1117+0	1152+0	0000	0000	0000	0000	0000					6975+2
03	2282+0	2595+0	2631+0	2620+0	2595+0	2346+0	1740+0	1677+0	0000	1907+1	6325+0	2438+0	3678-1	5815+2
	1196-1	1361-1	1379-1	1374-1	1361-1	1230-1	9124-2	8793-2	0000	1044+0	1005+0	1113+0	9633-1	6975+2
	9361-1	1065+0	1079+0	1075+C	1065+0	9625-1	7139-1	6679-1	0000					6975+2
05	0000	0000	1858+0	2749+0	2195+0	2194+0	3342+0	3257+0	0000	1919+1	6669+0	2454+0	3702-1	5815+2
	0000	0000	9679-2	1432-1	1144-1	1143-1	1741-1	1697-1	0000	1048+0	1008+0	1116+0	9703-1	6975+2
	0000	0000	7573-1	1120+0	8947-1	8941-1	1362+0	1327+0	0000					6975+2

PROJ RUN GROUP CONF MACH X/D  
0626 0012 0206 0003 2000+0 2971+0

	1	2	3	4	5	6	7	8	9	Po	q	Pinf	Re	To
02	2697+0	2641+0	2627+0	2681+0	0000	0000	0000	0000	0000	1939+1	6939+0	2478+0	3735-1	5820+2
	1391-1	1362-1	1355-1	1382-1	0000	0000	0000	0000	0000	1061+0	1021+0	1132+0	9766-1	6975+2
	1088+0	1066+0	1060+0	1082+0	0000	0000	0000	0000	0000					6975+2
03	2639+0	2638+0	2619+0	2633+0	2613+0	2669+0	2615+0	2128+0	0000	1942+1	6943+C	2481+0	3739-1	5820+2
	1359-1	1359-1	1349-1	1356-1	1346-1	1375-1	1347-1	1096-1	0000	1061+0	1022+0	1129+0	9813-1	6975+2
	1063+0	1063+0	1055+0	1061+0	1053+0	1076+0	1054+0	8576-1	0000					6975+2
05	0000	0000	1883+0	2786+0	2222+0	2221+0	3389+0	3295+0	0000	1953+1	6987+0	2495+0	3766-1	5815+2
	0000	0000	9646-2	1428-1	1138-1	1137-1	1736-1	1688-1	0000	1065+0	1027+0	1133+C	9544-1	6375+2
	0000	0000	7548-1	1117+0	8906-1	8899-1	1398+0	1320+0	0000					6975+2

-PROJ RUN GROUP CONF MACH X/D  
0626 0012 0207 0003 2000+0 4956+0

	1	2	3	4	5	6	7	8	9	Po	q	Pinf	Re	To
02	2448+0	2424+0	2475+0	2478+0	0000	0000	0000	0000	0000	1924+1	6887+0	2459+0	3711-1	5815+2
	1272-1	1259-1	1286-1	1255-1	0000	0000	0000	0000	0000	1047+0	1010+0	1114+0	9641-1	6975+2
	9951-1	9856-1	1006+0	1008+0	0000	0000	0000	0000	0000					
03	2483+0	2529+0	2488+0	2476+0	2516+0	2523+0	2556+0	2549+0	0000	1919+1	6869+0	2454+0	3702-1	5815+2
	1293-1	1318-1	1296-1	1289-1	1311-1	1314-1	1331-1	1328-1	0000	1052+0	1012+0	8453-1	9711-1	6975+2
	1012+0	1031+0	1014+0	1009+0	1026+0	1028+0	1042+0	1039+0	0000					
05	0000	0000	1870+0	2765+0	2208+0	2197+0	3352+0	3276+0	0000	1934+1	6920+0	2471+0	3729-1	5815+2
	0000	0000	9672-2	1429-1	1142-1	1136-1	1734-1	1694-1	0000	1055+0	1018+0	1127+0	9711-1	6975+2
	0000	0000	7568-1	1119+0	8933-1	8639-1	1356+0	1325+0	0000					

PROJ RUN GROUP CONF MACH X/D  
0626 0012 0208 0003 2000+0 6937+0

	1	2	3	4	5	6	7	8	9	Po	q	Pinf	Re	To
02	2484+0	2472+0	2455+0	2491+0	0000	0000	0000	0000	0000	1924+1	6884+0	2459+0	3709-1	5815+2
	1291-1	1285-1	1276-1	1295-1	0000	0000	0000	0000	0000	1052+0	1013+0	1120+0	9695-1	6975+2
	1010+0	1005+0	9924-1	1013+0	0000	0000	0000	0000	0000					
03	2427+0	2446+0	2428+0	2477+0	2456+0	2449+0	2372+0	2425+0	0000	1913+1	6847+0	2446+0	3690-1	5815+2
	1269-1	1278-1	1269-1	1295-1	1283-1	1279-1	1239-1	1267-1	0000	1050+0	1012+0	1120+0	9719-1	6975+2
	9926-1	1000+0	9928-1	1013+0	1004+0	1001+0	9701-1	9915-1	0000					
05	0000	0000	1253+0	2744+0	2188+0	2179+0	3329+0	3244+0	0000	1922+1	6878+0	2457+0	3707-1	5815+2
	0000	0000	9639-2	1428-1	1138-1	1134-1	1732-1	1682-1	0000	1047+0	1011+0	1113+0	9682-1	6975+2
	0000	0000	7542-1	1117+0	8905-1	8870-1	1355+0	1321+0	0000					



PROJ RUN GROUP CONF MACH X/D  
0626 0012 0209 0003 2000+0 795+0

	1	2	3	4	5	6	7	8	9	Po	q	Pinf	Re	To
02	2449+0	2425+0	2407+0	2429+0	0000	0000	0000	0000	0000	1892+1	6772+0	2419+0	3649-1	5815+2
	1294-1	1281-1	1272-1	1284-1	0000	0000	0000	0000	0000	1037+0	9961-1	1102+0	9563-1	6975+2
	1013+0	1003+0	9953-1	1005+0	0000	0000	0000	0000	0000					
03	2416+0	2415+0	2390+0	2421+0	2419+0	2435+0	2441+0	2532+0	0000	1885+1	6744+0	2409+0	3635-1	5815+2
	1282-1	1281-1	1268-1	1285-1	1283-1	1292-1	1295-1	1343-1	0000	1034+0	9899-1	1098+0	9461-1	6975+2
	1003+0	1003+0	9924-1	1005+0	1004+0	1011+0	1013+0	1051+0	0000					
05	0000	0000	1823+0	2691+0	2142+0	2135+0	3258+0	3192+0	0000	1677+1	6716+0	2399+0	3619-1	5815+2
	0000	0000	9713-2	1434-1	1141-1	1137-1	1736-1	1701-1	0000	1029+0	9891-1	1097+0	9492-1	6975+2
	0000	0000	7599-1	1122+0	8929-1	8899-1	1358+0	1331+0	0000					

PROJ RUN GROUP CONF MACH X/D  
0626 0013 0210 0002 5000+0 1009+0

	1	2	3	4	5	6	7	8	9	Po	q	Pinf	Re	To
02	2356-2	1934-2	3104-2	1739-2	0000	0000	0000	0000	0000	3046+1	1007+0	5757-2	1259-1	5860+2
	7736-4	6349-4	1019-3	5709-4	0000	0000	0000	0000	0000	1031-2	1594-2	0000	0000	6975+2
	4093-1	3359-1	5393-1	3021-1	0000	0000	0000	0000	0000					
03	5165-2	2371-2	2869-2	3353-2	2798-2	5305-2	6741-2	6176-2	0000	3065+1	1014+0	5732-2	1275-1	5865+2
	1685-3	7735-4	9428-4	1091-3	9132-4	1731-3	2199-3	2015-3	0000	5844-3	1422-2	0000	0000	6975+2
	8918-1	4093-1	4988-1	5788-1	4831-1	9159-1	1164+0	1066+0	0000					
05	0000	0000	7438-2	6392-2	7307-2	0000	0000	0000	0000	3064+1	1013+0	5731-2	1277-1	5860+2
	0000	0000	2428-3	2086-3	2385-3	0000	0000	0000	0000	1016-2	1359-2	0000	0000	6975+2
	0000	0000	1284+0	1104+0	1262+0	0000	0000	0000	0000					

FROM RUN GROUP CONF MACH X/D  
0626 0013 0211 0002 5000+0 1995+0

	1	2	3	4	5	6	7	8	9	Po	q	Pinf	Re	To
02	2044-2	4445-2	4518-2	2-93-2	0000	0000	0000	0000	0000	3061+1	1012+0	5755-2	1221-1	5845+2
	6679-4	1452-3	1476-3	7156-4	0000	0000	0000	0000	0000	9844-3	1297-2	0000	0000	6975+2
	3534-1	7684-1	7810-1	3791-1	0000	0000	0000	0000	0000					6975+2
03	3433-2	2059-2	4441-2	4575-2	3141-2	3669-2	7931-2	5789-2	0000	3059+1	1012+0	5783-2	1226-1	5830+2
	1122-3	6725-4	1451-3	1455-3	1026-3	1265-3	2592-3	1892-3	0000	1000-2	1234+2	0000	0000	6975+2
	5936-1	3559-1	7679-1	7510-1	5430-1	6691-1	1371+0	1001+0	0000					6975+2
05	0000	0000	7254-2	6235-2	7229-2	0000	0000	0000	0000	3061+1	1012+0	5785-2	1289-1	5820+2
	0000	0000	2369-3	2037-3	2352-3	0000	0000	0000	0000	1000-2	1219-2	0000	0000	6975+2
	0000	0000	1254+0	1275+0	1243+0	0000	0000	0000	0000					6975+2

FROM RUN GROUP CONF MACH X/D  
0626 0013 0212 0002 5000+0 2985+0

	1	2	3	4	5	6	7	8	9	Po	q	Pinf	Re	To
02	2512-2	5303-2	5486-2	5358-2	0000	0000	0000	0000	0000	3063+1	1013+0	5789-2	1293-1	5910+2
	8203-4	1731-3	1791-3	1749-3	0000	0000	0000	0000	0000	1000-2	1219-2	0000	0000	6975+2
	4339-1	9459-1	9477-1	9255-1	0000	0000	0000	0000	0000					6975+2
03	2622-2	3821-2	5118-2	5327-2	5193-2	3355-2	6045-2	6486-2	0000	3066+1	1015+0	5795-2	1297-1	5805+2
	8546-4	1246-3	1668-3	1736-3	1693-3	1094-3	1971-3	2114-3	0000	9844-3	1234+2	0000	0000	6975+2
	4522-1	6989-1	8826-1	9157-1	8956-1	5786-1	1043+0	1119+0	0000					6975+2
05	0000	0000	7177-2	6204-2	6981-2	0000	0000	0000	0000	3070+1	1015+0	5803-2	1301-1	5795+2
	0000	0000	2338-3	2021-3	2274-3	0000	0000	0000	0000	9844-3	1172-2	0000	0000	6975+2
	0000	0000	1237+0	1069+0	1203+0	0000	0000	0000	0000					6975+2

PROJ RUN GROUP CONF MACH X/D  
0626 0013 0213 0002 5000+0 4959+0

	1	2	3	4	5	6	7	8	9	Po	q	Pinf	Re	To
02	5712-2	5724-2	5901-2	6063-2	0000	0000	0000	0000	0000	3067+1	1014+0	5757-2	1302-1	5790+2
	1862-3	1866-3	1924-3	1977-3	0000	0000	0000	0000	0000	9844-3	1234-2	0000	0000	6975+2
	9853-1	9874-1	1016+0	1046+0	0000	0000	0000	0000	0000					6975+2
03	4822-2	5193-2	5456-2	5797-2	6545-2	5726-2	5164-2	5139-2	0000	3070+1	1015+0	5503-2	1303-1	5790+2
	1574-3	1692-3	1777-3	1888-3	2132-3	1865-3	1682-3	1674-3	0000	9658-3	1203-2	0000	0000	6975+2
	8310-1	8950-1	9402-1	9989-1	1122+0	9869-1	8899-1	8857-1	0000					6975+2
05	0000	0000	7299-2	6408-2	7400-2	0000	0000	0000	0000	3077+1	1018+0	5816-2	1306-1	5790+2
	0000	0000	2372-3	2082-3	2405-3	0000	0000	0000	0000	9531-3	1156-2	0000	0000	6975+2
	0000	0000	1255+0	1102+0	1272+0	0000	0000	0000	0000					6975+2

PROJ RUN GROUP CONF MACH X/D  
0626 0013 0214 0002 5000+0 6954+0

	1	2	3	4	5	6	7	8	9	Po	q	Pinf	Re	To
02	5524-2	5396-2	5702-2	5687-2	0000	0000	0000	0000	0000	3064+1	1013+0	5791-2	1300-1	5790+2
	1803-3	1761-3	1861-3	1856-3	0000	0000	0000	0000	0000	9375-3	1234-2	0000	0000	6975+2
	9539-1	9319-1	9846-1	9821-1	0000	0000	0000	0000	0000					6975+2
03	5649-2	5256-2	5625-2	5749-2	6468-2	6116-2	5612-2	4458-2	0000	3952+1	1009+0	5769-2	1296-1	5790+2
	1851-3	1722-3	1843-3	1884-3	2119-3	2004-3	1839-3	1461-3	0000	9344-3	1234-2	0000	0000	6975+2
	9793-1	9411-1	9751-1	9567-1	1121+0	1060+0	9729-1	7728-1	0000					6975+2
05	0000	0000	7238-2	6204-2	7105-2	0000	0000	0000	0000	3057+1	1011+0	5777-2	1296-1	5795+2
	0000	0000	2368-3	2029-3	2324-3	0000	0000	0000	0000	9658-3	1156-2	0000	0000	6975+2
	0000	0000	1253+0	1074+0	1229+0	0000	0000	0000	0000					6975+2

PROJ RUN GROUP CONF MACH I/D  
0626 0013 0215 0002 5000+0 8943+0

	1	2	3	4	5	6	7	8	9	Po	q	Pinf	Re	To
02	5556-2	4866-2	5717-2	5781-2	0000	0000	0000	0000	0000	3065+1	1014+0	5794-2	1295-1	5805+2
	1812-3	1587-3	1865-3	1886-3	0000	0000	0000	0000	0000	9219-3	1250-2	0000	0000	6975+2
	9589-1	8399-1	9668-1	9978-1	0000	0000	0000	0000	0000					6975+2
03	5368-2	4928-2	5609-2	5687-2	6172-2	5789-2	6725-2	4286-2	0000	3072+1	1016+0	5805-2	1297-1	5810+2
	1748-3	1604-3	1826-3	1851-3	2009-3	1885-3	2189-3	1395-3	0000	9375-3	1219-2	0000	0000	6975+2
	9247-1	8489-1	9662-1	9796-1	1063+0	9971-1	1158+0	7386-1	0000					6975+2
05	0000	0000	7238-2	6235-2	7152-2	0000	0000	0000	0000	3073+1	1016+0	5808-2	1296-1	5815+2
	0000	0000	2355-3	2029-3	2327-3	0000	0000	0000	0000	8750-3	1219-2	0000	0000	6975+2
	0000	0000	1246+0	1073+0	1231+0	0000	0000	0000	0000					6975+2

PROJ RUN GROUP CONF MACH I/D  
0626 0013 0216 0002 5000+0 1094+1

	1	2	3	4	5	6	7	8	9	Po	q	Pinf	Re	To
02	5165-2	5022-2	5394-2	5515-2	0000	0000	0000	0000	0000	3059+1	1012+0	5782-2	1285-1	5820+2
	1689-3	1642-3	1763-3	1803-3	0000	0000	0000	0000	0000	9531-3	1156-2	0000	0000	6975+2
	8934-1	8685-1	9329-1	9535-1	0000	0000	0000	0000	0000					6975+2
03	5009-2	4835-2	5363-2	5468-2	5846-2	5555-2	6262-2	5372-2	0000	3061+1	1012+0	5785-2	1287-1	5825+2
	1637-3	1579-3	1752-3	1786-3	1909-3	1815-3	2046-3	1755-3	0000	9531-3	1219-2	0000	0000	6975+2
	8659-1	8358-1	9272-1	9452-1	1011+0	9602-1	1082+0	9285-1	0000					6975+2
05	0000	0000	7085-2	6173-2	6918-2	0000	0000	0000	0000	3058+1	1011+0	5779-2	1285-1	5830+2
	0000	0000	2347-3	2019-3	2265-3	0000	0000	0000	0000	8506-3	1250-2	0000	0000	6975+2
	0000	0000	1226+0	1068+0	1197+0	0000	0000	0000	0000					6975+2

PROJ RUN GROUP CONF MACH X/D  
0626 0014 0217 0002 5000+0 1019+0

1	2	3	4	5	6	7	8	9	Po	q	Pinf	Re	To
02	8162-2	5189-2	9749-2	6209-2	0000	0000	0000	0000	1335+2	4414+0	2522-1	5015-1	6280+2
	6116-4	3889-4	7305-4	4653-4	0000	0000	0000	0000	3328-2	3313-2	0000	0000	6975+2
	3236-1	2058-1	3865-1	2462-1	0000	0000	0000	0000					6975+2
03	2688-1	7281-2	1243-1	1496-1	9084-2	2441-1	2296-1	2675-1	1337+2	4422+0	2527-1	4954-1	6305+2
	2011-3	5446-4	9294-4	1119-3	1826-3	1713-3	2001-3	0000	3156-2	3219-2	0000	0000	6975+2
	1064+0	2882-1	4917-1	5921-1	9661-1	9038-1	1059+0	0000					6975+2
05	0000	7812-1	2800-1	2426-1	2435-1	3403-1	8530-1	3916-1	1335+2	4416+0	2524-1	4964-1	6325+2
	0000	5851-3	2097-3	1817-3	1824-3	2549-3	6369-3	2933-3	3391-2	3203-2	0000	0000	6975+2
	0000	3096+0	1109+0	9613-1	9550-1	1348+0	3380+0	1552+0					6975+2

PROJ RUN GROUP CONF MACH X/D  
0626 0014 0218 0002 5000+0 1995+0

1	2	3	4	5	6	7	8	9	Po	q	Pinf	Re	To
02	8209-2	2361-1	2379-1	7778-2	0000	0000	0000	0000	1330+2	4400+0	2514-1	4515-1	6350+2
	6171-4	1775-3	1788-3	5847-4	0000	0000	0000	0000	3406-2	3172-2	0000	0000	6975+2
	3265-1	9389-1	9461-1	3093-1	0000	0000	0000	0000					6975+2
03	1409-1	7591-2	2289-1	2363-1	8925-2	1495-1	3359-1	2387-1	1333+2	4409+0	2519-1	4926-1	6350+2
	1057-3	5695-4	1718-3	1773-3	6698-4	1121-3	2519-3	1790-3	3391-2	3406-2	0000	0000	6975+2
	5591-1	3013-1	9089-1	9381-1	3544-1	5933-1	1333+0	9473-1					6975+2
05	0000	7773-1	2800-1	2427-1	2356-1	3399-1	8566-1	3911-1	1335+2	4416+0	2524-1	4546-1	6340+2
	0000	5821-3	2097-3	1818-3	1795-3	2546-3	6415-3	2929-3	3325-2	3234-2	0000	0000	6975+2
	0000	3080+0	1109+0	9619-1	9496-1	1347+0	3394+0	1549+0					6975+2

0626 0014 0219 0002 5000+0 2985+0 X/D

PROJ	RUN	GROUP	COMP	MACH	X/D	1	2	3	4	5	6	7	8	9	Po	q	Pinf	Re	To
02	8442-2	2634-1	2608-1	2286-1	0000	0000	0000	0000	0000	0000	0000	0000	0000	0000	1338+2	4426+0	2529-1	4953-1	6335+2
	6309-4	1968-3	1949-3	1709-3	0000	0000	0000	0000	0000	0000	0000	0000	0000	0000	3406-2	3203-2	0000	0000	6975+2
	3338-1	1044+0	1031+0	9041-1	0000	0000	0000	0000	0000	0000	0000	0000	0000	0000					6975+2
03	1085-1	1153-1	2417-1	2528-1	1756-1	1240-1	2180-1	3146-1	0000	0000	0000	0000	0000	0000	1332+2	4405+0	2517-1	4946-1	6330+2
	8147-4	8653-4	1815-3	1898-3	1341-3	9087-4	1637-3	2362-3	0000	0000	0000	0000	0000	0000	3484-2	3047-2	0000	0000	6975+2
	4311-1	4578-1	9602-1	1004+0	7053-1	4808-1	2661-1	1249+0	0000	0000	0000	0000	0000	0000					6975+2
05	0000	7749-1	2776-1	1966+0	2317-1	3356-1	8431-1	3842-1	0000	0000	0000	0000	0000	0000	1335+2	4415+0	2523-1	4956-1	6330+2
	0000	5806-3	2079-3	1473-2	1752-3	2514-3	6317-3	2878-3	0000	0000	0000	0000	0000	0000	3406-2	3172-2	0000	0000	6975+2
	0000	3072+0	1100+0	7793+0	9302-1	1330+0	3342+0	1523+0	0000	0000	0000	0000	0000	0000					6975+2

0626 0014 0220 0002 5000+0 4969+0

PROJ	RUN	GROUP	COMP	MACH	X/D	1	2	3	4	5	6	7	8	9	Po	q	Pinf	Re	To
02	2472-1	2367-1	2305-1	2454-1	0000	0000	0000	0000	0000	0000	0000	0000	0000	0000	1334+2	4413+0	2522-1	4949-1	6335+2
	1853-3	1774-3	1787-3	1839-3	0000	0000	0000	0000	0000	0000	0000	0000	0000	0000	3266-2	3422-2	0000	0000	6975+2
	9802-1	9387-1	9458-1	9731-1	0000	0000	0000	0000	0000	0000	0000	0000	0000	0000					6975+2
03	1256-1	2455-1	2365-1	2373-1	2752-1	2113-1	1619-1	2132-1	0000	0000	0000	0000	0000	0000	1335+2	4415+0	2523-1	4950-1	6335+2
	9411-4	1839-3	1772-3	1778-3	2062-3	1597-3	1213-3	1596-3	0000	0000	0000	0000	0000	0000	3453-2	3813-2	0000	0000	6975+2
	4979-1	9733-1	9375-1	9405-1	1091+0	5395-1	6420-1	8453-1	0000	0000	0000	0000	0000	0000					6975+2
05	0000	7773-1	2773-1	3001+0	2502-1	3252-1	8625-1	3852-1	0000	0000	0000	0000	0000	0000	1334+2	4413+0	2522-1	4949-1	6335+2
	0000	5826-3	2078-3	2399-2	1770-3	2472-3	6466-3	2887-3	0000	0000	0000	0000	0000	0000	3453-2	3938-2	0000	0000	6975+2
	0000	3082+0	1099+0	1269+1	9366-1	1308+0	3421+0	1528+0	0000	0000	0000	0000	0000	0000					6975+2

PROJ RUN GROUP CONF MACH X/D  
0626 0014 0221 0002 5000+0 6954+0

	1	2	3	4	5	6	7	8	9	Po	q	Pinf	Re	To
02	2323-1	2289-1	2327-1	2363-1	0000	0000	0000	0000	0000	1337+2	4423+0	2527-1	4959-1	6335+2
	1737-3	1712-3	1740-3	1767-3	0000	0000	0000	0000	0000	3469-2	3938-2	0000	0000	6975+2
	9194-1	9060-1	9206-1	9351-1	0000	0000	0000	0000	0000					
03	2307-1	2284-1	2265-1	2308-1	2277-1	2536-1	1533-1	1722-1	0000	1339+2	4427+0	2529-1	4959-1	6340+2
	1724-3	1706-3	1692-3	1725-3	1925-3	1520-3	1145-3	1266-3	0000	3547-2	3984-2	0000	0000	6975+2
	9119-1	9026-1	8954-1	9124-1	1015+0	5530-1	6059-1	6606-1	0000					
05	0000	7726-1	2759-1	4106+0	2340-1	3273-1	8559-1	3812-1	0000	1338+2	4426+0	2523-1	4958-1	6340+2
	0000	5773-3	2061-3	3068-2	1749-3	2451-3	6396-3	2849-3	0000	3453-2	4063-2	0000	0000	6975+2
	0000	3055+0	1091+0	1623+1	5252-1	1297+0	3324+0	1507+0	0000					

PROJ RUN GROUP CONF MACH X/D  
0626 0014 0222 0002 5000+0 8943+0

	1	2	3	4	5	6	7	8	9	Po	q	Pinf	Re	To
02	2276-1	2293-1	2319-1	2319-1	0000	0000	0000	0000	0000	1336+2	4420+0	2525-1	4951-1	6340+2
	1703-3	1716-3	1735-3	1735-3	0000	0000	0000	0000	0000	3453-2	4063-2	0000	0000	6975+2
	9011-1	9077-1	9421-1	9422-1	0000	0000	0000	0000	0000					
03	2261-1	2285-1	2282-1	2308-1	2548-1	2339-1	2462-1	1605-1	0000	1336+2	4418+0	2525-1	4948-1	6340+2
	1692-3	1711-3	1708-3	1726-3	1907-3	1789-3	1843-3	1202-3	0000	3406-2	3906-2	0000	0000	6975+2
	8954-1	9051-1	9039-1	9143-1	1009+0	5455-1	9752-1	6359-1	0000					
05	0000	7695-1	2754-1	4740+0	2332-1	3273-1	8532-1	3799-1	0000	1337+2	4421+0	2526-1	4952-1	6340+2
	0000	5757-3	2050-3	3547-2	1745-3	2449-3	6383-3	2842-3	0000	3375-2	3906-2	0000	0000	6975+2
	0000	3046+0	1050+0	1876+1	9233-1	1295+0	3377+0	1504+0	0000					

PROJ RUN GROUP CONF MACH X/D  
0626 0014 0223 0002 5000+0 1095+1

1	2	3	4	5	6	7	8	9	Po	q	Pinf	Re	To
02	2267-1	2219-1	2274-1	2229-1	0000	0000	0000	0000	1331+2	4402+0	2515-1	4925-1	6340+2
	1703-3	1668-3	1709-3	1720-3	0000	0000	0000	0000	3406-2	4172-2	0000	0000	6975+2
	9012-1	8826-1	9042-1	9102-1	0000	0000	0000	0000					
03	2153-1	2237-1	2214-1	2255-1	2479-1	2343-1	2329-1	0000	1328+2	4392+0	2509-1	4924-1	6335+2
	1644-3	1685-3	1668-3	1698-3	1743-3	1765-3	1754-3	0000	3500-2	4000-2	0000	0000	6975+2
	8698-1	8914-1	8824-1	8986-1	9878-1	9336-1	9282-1	0000					
05	0000	7765-1	2757-1	5212+0	2339-1	8561-1	3814-1	0000	1339+2	4427+0	2529-1	4959-1	6340+2
	0000	5801-3	2059-3	3894+2	1747-3	6396-3	2849-3	0000	3359-2	3938-2	0000	0000	6975+2
	0000	3069+0	1089+0	2060+1	9245-1	1295+0	1508+0	0000					

PROJ RUN GROUP CONF MACH X/D  
0626 0014 0224 0002 4030+0 1029+0

1	2	3	4	5	6	7	8	9	Po	q	Pinf	Re	To
02	1396-1	9574-2	2398-1	1077-1	0000	0000	0000	0000	7310+1	5259+0	4625-1	4963-1	5510+2
	1909-3	1309-3	3267-3	1474-3	0000	0000	0000	0000	9359-2	9672-2	0000	0000	6975+2
	301E-1	2069-1	5162-1	2329-1	0000	0000	0000	0000					
03	4364-1	1247-1	1933-1	2718-1	1647-1	4151-1	4474-1	0000	7315+1	5263+0	4629-1	4966-1	5510+2
	5966-3	1705-3	2642-3	3715-3	2251-3	5659-3	6116-3	0000	9359-2	9641-2	0000	0000	6975+2
	9427-1	2694-1	4175-1	5870-1	3558-1	8968-1	9664-1	0000					
05	0000	4113+0	4507-1	5514+0	4850-1	6214-1	2509-1	0000	7313+1	5261+0	4622-1	4958-1	5510+2
	0000	1523-2	6164-3	7541-2	6633-3	2145-2	8081-3	0000	9344-2	9688-2	0000	0000	6975+2
	0000	2406+0	9739-1	1192+1	1048+0	3389+0	1277+0	0000					



PROJ RUN GROUP CONF MACH X/D  
0626 0014 0225 0002 4030+0 1999+0

	1	2	3	4	5	6	7	8	9	Po	q	P.inf	Re	To
02	1334-1	5176-1	4779-1	1275-1	0000	0000	0000	0000	0000	7315+1	5263+0	4629-1	4954-1	5820+2
	1824-3	7076-3	6534-3	1743-3	0000	0000	0000	0000	0000	9219-2	9609-2	0000	0000	6975+2
	2882-1	1118+0	1032+0	2754-1	0000	0000	0000	0000	0000					
03	2265-1	1335-1	4850-1	4885-1	1907-1	2544-1	5129-1	4198-1	0000	7315+1	5263+0	4629-1	4954-1	5825+2
	3097-3	1826-3	6630-3	6682-3	2607-3	3478-3	7011-3	5739-3	0000	9281-2	9625-2	0000	0000	6975+2
	4893-1	2885-1	1048+0	1056+0	4119-1	5496-1	1108+0	9068-1	0000					
05	0000	1099+0	4499-1	5755+0	4833-1	6307-1	1571+0	5827-1	0000	7327+1	5271+0	4637-1	4955-1	5825+2
	0000	1499-2	6141-3	7855-2	6597-3	2608-3	2144-2	9035-3	0000	9297-2	9547-2	0000	0000	6975+2
	0000	2369+0	9704-1	1241+1	1042+0	1360+0	3382+0	1269+0	0000					

PROJ RUN GROUP CONF MACH X/D  
0626 0014 0226 0002 4030+0 2985+0

	1	2	3	4	5	6	7	8	9	Po	q	P.inf	Re	To
02	1746-1	5360-1	5047-1	5090-1	0000	0000	0000	0000	0000	7287+1	5243+0	4611-1	4922-1	5830+2
	2396-3	7356-3	6926-3	6955-3	0000	0000	0000	0000	0000	9141-2	9563-2	0000	0000	6975+2
	3786-1	1162+0	1094+0	1104+0	0000	0000	0000	0000	0000					
03	1969-1	4161-1	5271-1	5191-1	5149-1	2259-1	3801-1	5356-1	0000	7291+1	5246+0	4614-1	4925-1	5830+2
	2702-3	5707-3	7229-3	7119-3	7062-3	3153-3	5214-3	7345-3	0000	9266-2	9563-2	0000	0000	6975+2
	4269-1	9018-1	1142+0	1125+0	1116+0	4922-1	8238-1	1161+0	0000					
05	0000	1108+0	4475-1	5920+0	4782-1	6291-1	1562+0	5826-1	0000	7287+1	5243+0	4611-1	4922-1	5830+2
	0000	1521-2	6141-3	8125-2	6562-3	8633-3	2143-2	7996-3	0000	9219-2	9516-2	0000	0000	6975+2
	0000	2403+0	9704-1	1284+1	1037+0	1364+0	3386+0	1263+0	0000					

PROJ RUN GROUP COMP MACH X/D  
0626 0014 0227 0002 4030+0 4959+0

	1	2	3	4	5	6	7	8	9	Po	q	Pinf	Re	To
02	4886-1	4696-1	4573-1	4748-1	0000	0000	0000	0000	0000	7301+1	5253+0	4620-1	4931-1	5830+2
	6693-3	6432-3	6264-3	6504-3	0000	0000	0000	0000	0000	8985-2	9250-2	0000	0000	6975+2
	1058+0	1016+0	9898-1	1028+0	0000	0000	0000	0000	0000					5975+2
03	4885-1	4804-1	4629-1	4610-1	5368-1	5007-1	2954-1	3621-1	0000	7291+1	5246+0	4614-1	4925-1	5830+2
	6699-3	6583-3	6348-3	6323-3	7362-3	6867-3	4052-3	5053-3	0000	9109-2	9438-2	0000	0000	6975+2
	1059+0	1041+0	1003+0	9991-1	1163+0	1085+0	6403-1	7953-1	0000					6975+2
05	0000	1108+0	4475-1	6057+0	4804-1	6299-1	1559+0	5859-1	0000	7237+1	5243+0	4611-1	4922-1	5830+2
	0000	1521-2	6141-3	8313-2	6592-3	8644-3	2141-2	8054-3	0000	9391-2	9594-2	0000	0000	6975+2
	0000	2403+0	9704-1	1313+1	1042+0	1366+0	3383+0	1273+0	0000					6975+2

PROJ RUN GROUP COMP MACH X/D  
0626 0014 0228 0002 4030+0 6954+0

	1	2	3	4	5	6	7	8	9	Po	q	Pinf	Re	To
02	4633-1	4549-1	4519-1	4565-1	0000	0000	0000	0000	0000	7291+1	5246+0	4614-1	4925-1	5830+2
	6354-3	6240-3	6195-3	6261-3	0000	0000	0000	0000	0000	9094-2	9603-2	0000	0000	6975+2
	1004+0	9860-1	9794-1	9892-1	0000	0000	0000	0000	0000					6975+2
03	4555-1	4623-1	4556-1	4579-1	5134-1	4756-1	4864-1	3095-1	0000	7303+1	5254+0	4622-1	4933-1	5830+2
	6237-3	6329-3	6239-3	6269-3	7098-3	6512-3	6659-3	4237-3	0000	9063-2	9594-2	0000	0000	6975+2
	9856-1	1000+0	9858-1	9907-1	1122+0	1029+0	1052+0	6696-1	0000					6975+2
05	0000	1111+0	4484-1	6154+0	4802-1	6291-1	1565+0	5887-1	0000	7301+1	5253+0	4620-1	4931-1	5830+2
	0000	1522-2	6142-3	8429-2	6578-3	8617-3	2144-2	9064-3	0000	9172-2	9531-2	0000	0000	6975+2
	0000	2405+0	9705-1	1332+1	1039+0	1362+0	3388+0	1274+0	0000					6975+2

PROJ RUN GROUP CONF MACH X/D  
 0626 0014 0229 0002 4030+0 5943+0

	1	2	3	4	5	6	7	8	9	Po	q	Pinf	Re	To
02	4555-1	4489-1	4472-1	4502-1	0000	0000	0000	0000	0000	7253+1	5251+0	4619-1	4929-1	5830+2
	6242-3	6151-3	6127-3	6169-3	0000	0000	0000	0000	0000	5781-2	9641-2	0000	0000	6975+2
	9662-1	9719-1	9681-1	9747-1	0000	0000	0000	0000	0000					
03	4436-1	4514-1	4473-1	4512-1	5029-1	4609-1	4631-1	4623-1	0000	7275+1	5234+0	4604-1	4914-1	5830+2
	6097-3	6205-3	6149-3	6201-3	6913-3	6335-3	6366-3	6354-3	0000	9297-2	9594-2	0000	0000	6975+2
	9634-1	9805-1	9716-1	9799-1	1092+0	1001+0	1006+0	1004+0	0000					
05	0000	1107+0	4478-1	6219+0	4799-1	6275-1	1559+0	5864-1	0000	7270+1	5231+0	4601-1	4911-1	5830+2
	0000	1523-2	6159-3	8555-2	6601-3	5631-3	2146-2	8066-3	0000	9109-2	9406-2	0000	0000	6975+2
	0000	2406+0	9732-1	1352+1	1043+0	1364+0	3390+0	1274+0	0000					

PROJ RUN GROUP CONF MACH X/D  
 0626 0014 0230 0002 4030+0 1095+1

	1	2	3	4	5	6	7	8	9	Po	q	Pinf	Re	To
02	4445-1	4399-1	4404-1	4416-1	0000	0000	0000	0000	0000	7273+1	5232+0	4603-1	4919-1	5825+2
	6112-3	6049-3	6056-3	6072-3	0000	0000	0000	0000	0000	9109-2	9237-2	0000	0000	6975+2
	9657-1	9559-1	9569-1	9594-1	0000	0000	0000	0000	0000					
03	4383-1	4439-1	4429-1	4471-1	4979-1	4556-1	4539-1	4459-1	0000	7299+1	5251+0	4619-1	4936-1	5825+2
	6005-3	6083-3	6068-3	6126-3	6823-3	6242-3	6219-3	6151-3	0000	9203-2	9433-2	0000	0000	6975+2
	9489-1	9613-1	9588-1	9679-1	1076+0	9863-1	9826-1	9719-1	0000					
05	0000	1109+0	4484-1	6269+0	4808-1	6307-1	1563+0	5857-1	0000	7306+1	5256+0	4623-1	4941-1	5825+2
	0000	1518-2	6138-3	8582-2	6582-3	8633-3	2139-2	8052-3	0000	9203-2	9609-2	0000	0000	6975+2
	0000	2398+0	9699-1	1356+1	1040+0	1364+0	3381+0	1273+0	0000					

PROJ	RUN	GROUP	CONF	MACH	X/D	1	2	3	4	5	6	7	8	9	Po	q	Pinf	Re	To	
0626	001A	0231	0002	3990+0	1049+0															
02						3312-2	2122-2	4998-2	2572-2	0000	0000	0000	0000	0000	1375+1	1023+0	9179-2	9469-2	5935+2	
						2408-3	1543-3	3634-3	1869-3	0000	0000	0000	0000	0000	1547-2	2313-2	0000	0000	6975+2	
						3607-1	2312-1	5444-1	2802-1	0000	0000	0000	0000	0000						
03						8411-2	3269-2	5198-2	5457-2	4176-2	8215-2	1279-1	9376-2	0000	1368+1	1017+0	9128-2	9452-2	5820+2	
						6151-3	2390-3	3801-3	3991-3	3054-3	6007-3	9353-3	8856-3	0000	1766-2	2313-2	0000	0000	6975+2	
						9215-1	3581-1	5694-1	5979-1	4575-1	8999-1	1401+0	1027+0	0000						
05						0000	2112-1	9349-2	6329+0	1019-1	1149-1	2295-1	1127-1	0000	1349+1	1003+0	9003-2	9311-2	5825+2	
						0000	1566-2	6932-3	4692-1	7555-3	8522-3	1701-2	5353-3	0000	1750-2	2359-2	0000	0000	6975+2	
						0000	2346+0	1039+0	7029+1	1132+0	1277+0	2549+0	1251+0	0000						

PROJ	RUN	GROUP	CONF	MACH	X/D	1	2	3	4	5	6	7	8	9	Po	q	Pinf	Re	To
0626	001A	0232	0002	3990+0	1995+0														
02						3141-2	9063-2	9580-2	3074-2	0000	0000	0000	0000	0000	1403+1	1043+0	9362-2	9695-2	5820+2
						2239-3	6461-3	6829-3	2191-3	0000	0000	0000	0000	0000	1734-2	2234-2	0000	0000	6975+2
						3354-1	9680-1	1023+0	3283-1	0000	0000	0000	0000	0000					
03						5193-2	3176-2	8396-2	8844-2	4409-2	5747-2	1044-1	1057-1	0000	1375+1	1022+0	9175-2	9513-2	5815+2
						3778-3	2310-3	6108-3	6434-3	3208-3	4181-3	7593-3	7689-3	0000	1656-2	2219-2	0000	0000	6975+2
						5659-1	3462-1	9152-1	9640-1	4806-1	6264-1	1138+0	1152+0	0000					
05						0000	2155-1	9473-2	6352+0	1059-1	1181-1	2369-1	1173-1	0000	1371+1	1020+0	9154-2	9491-2	5815+2
						0000	1571-2	6907-3	4632-1	7726-3	8609-3	1727-2	3554-3	0000	1703-2	2344-2	0000	0000	6975+2
						0000	8354+0	1035+0	6939+1	1157+0	1209+0	2500+0	1202+0	0000					

PROJ	RUN	GROUP	CONF	MACH	X/D	1	2	3	4	5	6	7	8	9	Po	q	Pinf	Re	To	
0626	0014	0233	0002	3990+0	2985+0															
02						4104-2	1005-1	1063-1	1021-1	0000	0000	0000	0000	0000	1359+1	1011+0	9076-2	9411-2	5515+2	
						3019-3	7394-3	7515-3	7508-3	0000	0000	0000	0000	0000	1578-2	2344-2	0000	0000	6975+2	
						4523-1	1108+0	1171+0	1125+0	0000	0000	0000	0000	0000						
03						4322-2	7792-2	1012-1	1004-1	9629-2	5263-2	7544-2	1075-1	0000	1353+1	1006+0	9029-2	9349-2	5820+2	
						3195-3	5761-3	7480-3	7419-3	7118-3	3891-3	5873-3	7551-3	0000	1594-2	2344-2	0000	0000	6975+2	
						4787-1	8631-1	1121+0	1112+0	1067+0	5829-1	8798-1	1131+0	0000						
05						0000	2121-1	9396-2	6362+0	1038-1	1157-1	2309-1	1142-1	0000	1344+1	9298-1	8971-2	9290-2	5820+2	
						0000	1578-2	6990-3	4733-1	7721-3	8610-3	1718-2	8497-3	0000	1641-2	2203-2	0000	0000	6975+2	
						0000	2364+0	1047+0	7091+1	1157+0	1289+0	2574+0	1273+0	0000						

PROJ	RUN	GROUP	CONF	MACH	X/D	1	2	3	4	5	6	7	8	9	Po	q	Pinf	Re	To
0626	0014	0234	0002	3990+0	4969+0														
02						9670-2	9001-2	9196-2	9581-2	0000	0000	0000	0000	0000	1347+1	1002+0	9922-2	9299-2	5925+2
						7178-3	6681-3	6826-3	7112-3	0000	0000	0000	0000	0000	1656-2	2219-2	0000	0000	6975+2
						1075+0	1001+0	1023+0	1066+0	0000	0000	0000	0000	0000					
03						8831-2	8877-2	9042-2	9048-2	1025-1	9589-2	6689-2	7206-2	0000	1345+1	1000+0	8977-2	9284-2	5925+2
						6566-3	6600-3	6723-3	6728-3	7623-3	7130-3	4974-3	5358-3	0000	1594-2	2188-2	0000	0000	6975+2
						9838-1	9889-1	1007+0	1008+0	1142+0	1068+0	7452-1	8028-1	0000					
05						0000	2178-1	9334-2	6364+0	1050-1	1176-1	2374-1	1178-1	0000	1371+1	1019+0	9148-2	9449-2	5830+2
						0000	1589-2	6810-3	4643-1	7662-3	8579-3	1732-2	8593-3	0000	1672-2	2156-2	0000	0000	6975+2
						0000	2381+0	1020+0	6956+1	1148+0	1285+0	2595+0	1287+0	0000					

PROJ RUNI GROUP CONF MACH X/D  
0626 0014 0235 0002 3990+0 6954+0

	1	2	3	4	5	6	7	8	9	Po	q	Pinf	Re	To
02	8738-2	8659-2	9104-2	8954-2	0000	0000	0000	0000	0000	1355+1	1008+0	9044-2	9329-2	5835+2
	6448-3	6391-3	6718-3	6602-3	0000	0000	0000	0000	0000	1578-2	2219-2	0000	0000	6975+2
	9661-1	9575-1	1007+0	9900-1	0000	0000	0000	0000	0000					6975+2
03	9157-2	8923-2	9073-2	9111-2	1029-1	9745-2	1041-1	6974-2	0000	1366+1	1017+0	9122-2	9416-2	5835+2
	6696-3	6525-3	6634-3	6662-3	7531-3	7126-3	7609-3	5039-3	0000	1656-2	2031-2	0000	0000	6975+2
	1003+0	9776-1	9939-1	9982-1	1128+0	1068+0	1140+0	7639-1	0000					6975+2
05	0000	2164-1	9580-2	6371+0	1053-1	1181-1	2377-1	1164-1	0000	1380+1	1026+0	9211-2	9502-2	5835+2
	0000	1568-2	6942-3	4617-1	7632-3	8556-3	1722-2	8433-3	0000	1594-2	2281-2	0000	0000	6975+2
	0000	2349+0	1040+0	6917+1	1144+0	1282+0	2550+0	1263+0	0000					6975+2

PROJ RUNI GROUP CONF MACH X/D  
0626 0014 0236 0002 3990+0 8943+0

	1	2	3	4	5	6	7	8	9	Po	q	Pinf	Re	To
02	9002-2	8784-2	9119-2	9171-2	0000	0000	0000	0000	0000	1383+1	1029+0	9232-2	9524-2	5935+2
	6508-3	6351-3	6593-3	6632-3	0000	0000	0000	0000	0000	1641-2	2203-2	0000	0000	6975+2
	9751-1	9515-1	9878-1	9937-1	0000	0000	0000	0000	0000					6975+2
03	8504-2	8629-2	9011-2	8876-2	9614-2	9168-2	9724-2	9422-2	0000	1359+1	1011+0	9076-2	9362-2	5835+2
	6254-3	6346-3	6627-3	6528-3	7070-3	6742-3	7152-3	6929-3	0000	1531-2	2469-2	0000	0000	6975+2
	9371-1	9508-1	9929-1	9779-1	1059+0	1010+0	1071+0	1036+0	0000					6975+2
05	0000	2127-1	9380-2	6373+0	1036-1	1162-1	2324-1	1145-1	0000	1353+1	1006+0	9029-2	9302-2	5840+2
	0000	1572-2	6935-3	4712-1	7659-3	8589-3	1718-2	8466-3	0000	1609-2	2313-2	0000	0000	6975+2
	0000	2356+0	1039+0	7059+1	1142+0	1287+0	2574+0	1266+0	0000					6975+2

PROJ RUN GROUP COM7 NACH X/D  
0626 0014 0237 0002 3990+0 1095+1

1	2	3	4	5	6	7	8	9	Po	q	Pinf	Re	To
8411-2	8428-2	8565-2	8593-2	0000	0000	0000	0000	0000	1344+1	9998-1	8971-2	9253-2	5840+2
6258-3	6270-3	6372-3	6393-3	0000	0000	0000	0000	0000	1578-2	2203-2	0000	0000	6975+2
9376-1	9394-1	9547-1	9579-1	0000	0000	0000	0000	0000					
03	8379-2	8552-2	8519-2	9489-2	8949-2	9324-2	9081-2	0000	1348+1	1003+0	8997-2	9269-2	5840+2
	6217-3	6344-3	6319-3	7039-3	6639-3	6961-3	6737-3	0000	1422-2	1875-2	0000	0000	6975+2
	9314-1	9505-1	9468-1	1055+0	9946-1	1043+0	1009+0	0000					
05	0000	2214-1	9519-2	6380+0	1052-1	1181-1	2377+1	0000	1377+1	1024+0	9190-2	9456-2	5945+2
	0000	1608-2	6913-3	4634-1	7638-3	8575-3	1724-2	0000	1641-2	2313-2	0000	0000	6975+2
	0000	2409+0	1036+0	6943+1	1144+0	1285+0	2583+0	0000					

PROJ RUN GROUP COM7 NACH X/D  
0626 0014 0238 0002 2980+0 1034+0

1	2	3	4	5	6	7	8	9	Po	q	Pinf	Re	To
6389-2	7498-2	1001-1	6392-2	0000	0000	0000	0000	0000	5944+0	1037+0	1567-1	7015-2	5795+2
1075-2	1262-2	1684-2	1076-2	0000	0000	0000	0000	0000	5766-2	6500-2	0000	0000	6975+2
3832-1	4497-1	6004-1	3837-1	0000	0000	0000	0000	0000					
03	1379-1	7328-2	9334-2	1035-1	8679-2	1326-1	1669-1	0000	5909+0	1031+0	1658-1	6947-2	5810+2
	2334-2	1240-2	1579-2	1751-2	1469-2	2244-2	2824-2	0000	5719-2	6625-2	0000	0000	6975+2
	8318-1	4420-1	5630-1	6243-1	5235-1	7998-1	1352+0	0000					
05	0000	2956-1	1539-1	6385+0	1907-1	2171-1	1759-1	0000	5926+0	1034+0	1663-1	6965-2	5810+2
	0000	4988-2	2597-2	1077+0	3212-2	3663-2	6974-2	0000	5656-2	6563-2	0000	0000	6975+2
	0000	1778+0	9258-1	3840+1	1147+0	1306+0	1058+0	0000					

PROJ RUN GROUP CODE MACH X/D  
0626 0014 0239 0002 2980+0 1995+0

	1	2	3	4	5	6	7	8	9	Po	q	Pinf	R	To
02	6825-2	1907-1	1989-1	1214-1	0000	0000	0000	0000	0000	5853+0	1021+0	1642-1	6331-2	5810+2
	1166-2	3255-2	3399-2	2074-2	0000	0000	0000	0000	0000	4953-2	5969-2	0000	0000	6975+2
	4156-1	1161+0	1212+0	7392-1	0000	0000	0000	0000	0000					5975+2
03	8629-2	7854-2	1939-1	1982-1	1013-1	9371-2	1522-1	2056-1	0000	5926+0	1034+0	1663-1	6962-2	5810+2
	1456-2	1325-2	3272-2	3343-2	1709-2	1521-2	2513-2	3459-2	0000	4688-2	5656-2	0000	0000	6975+2
	5189-1	4724-1	1166+0	1192+0	6091-1	5636-1	9332-1	1237+0	0000					5975+2
05	0000	2926-1	1542-1	6385+0	1893-1	2161-1	4136-1	1751-1	0000	5955+0	1038+0	1671-1	7001-2	5810+2
	0000	4915-2	2590-2	1072+0	3173-2	3622-2	5946-2	2941-2	0000	4721-2	5625-2	0000	0000	6975+2
	0000	1752+0	9233-1	3822+1	1133+0	1294+0	2475+0	1048+0	0000					5975+2

PROJ RUN GROUP CODE MACH X/D  
0626 0014 0240 0002 2980+0 2956+0

	1	2	3	4	5	6	7	8	9	Po	q	Pinf	R	To
02	1562-1	1916-1	1971-1	1993-1	0000	0000	0000	0000	0000	5909+0	1031+0	1658-1	6933-2	5815+2
	3320-2	3243-2	3336-2	3321-2	0000	0000	0000	0000	0000	4547-2	5375-2	0000	0000	6975+2
	1184+0	1156+0	1189+0	1205+0	0000	0000	0000	0000	0000					5975+2
03	8753-2	1828-1	1958-1	1562-1	1985-1	9917-2	1247-1	1587-1	0000	5901+0	1028+0	1656-1	6922-2	5815+2
	1483-2	3098-2	3317-2	3324-2	3372-2	1680-2	2062-2	2655-2	0000	4609-2	5583-2	0000	0000	6975+2
	5287-1	1104+0	1182+0	1125+0	1202+0	5950-1	7351-1	5463-1	0000					6975+2
05	0000	2211-1	1525-1	6325+0	1876-1	2139-1	4095-1	1723-1	0000	5903+0	1029+0	1656-1	6931-2	5815+2
	0000	4931-2	2584-2	1082+0	3178-2	3623-2	6542-2	2929-2	0000	4703-2	5313-2	0000	0000	6975+2
	0000	1758+0	9211-1	3656+1	1133+0	1292+0	2475+0	1044+0	0000					6975+2



PROJ RUN: GROUP CORP MACH X/D  
0626 0014 0241 0002 2980+0 4569+0

	1	2	3	4	5	6	7	8	9	Po	q	Pinf	Re	To
02	1746-1	1710-1	1738-1	1735-1	0000	0000	0000	0000	0000	5872+0	1024+0	1647-1	6922-2	5810+2
	2973-2	2913-2	2959-2	2956-2	0000	0000	0000	0000	0000	4563-2	5344-2	0000	0000	6975+2
	1059+0	1038+0	1055+0	1054+0	0000	0000	0000	0000	0000					
03	1791-1	1761-1	1745-1	1744-1	1913-1	1643-1	1638-1	1224-1	0000	5881+0	1026+0	1649-1	6924-2	5810+2
	3045-2	2995-2	2968-2	2965-2	3253-2	3134-2	3209-2	3082-2	0000	4641-2	5391-2	0000	0000	6975+2
	1086+0	1065+0	1058+0	1057+0	1159+0	1117+0	1144+0	7419-1	0000					
05	0000	2954-1	1530-1	6383+0	1885-1	2132-1	4120-1	1733-1	0000	5902+0	1030+0	1657-1	6946-2	5810+2
	0000	5001-2	2589-2	1080+0	3151-2	3609-2	6975-2	2933-2	0000	4594-2	5375-2	0000	0000	6975+2
	0000	1783+0	9232-1	3651+1	1138+0	1236+0	2466+0	1045+0	0000					

PROJ RUN GROUP CORP MACH X/D  
0626 0014 0242 0002 2980+0 6954+0

	1	2	3	4	5	6	7	8	9	Po	q	Pinf	Re	To
02	1793-1	1758-1	1736-1	1753-1	0000	0000	0000	0000	0000	5926+0	1034+0	1663-1	6968-2	5810+2
	3025-2	2967-2	2929-2	2956-2	0000	0000	0000	0000	0000	4594-2	5063-2	0000	0000	6975+2
	1078+0	1058+0	1044+0	1054+0	0000	0000	0000	0000	0000					
03	1771-1	1747-1	1725-1	1744-1	1862-1	1780-1	1518-1	1812-1	0000	5942+0	1036+0	1667-1	6986-2	5810+2
	2980-2	2941-2	2904-2	2935-2	3134-2	2996-2	3059-2	3049-2	0000	4662-2	5031-2	0000	0000	6975+2
	1062+0	1048+0	1035+0	1046+0	1117+0	1068+0	1091+0	1087+0	0000					
05	0000	2979-1	1544-1	6383+0	1918-1	2163-1	4155-1	1759-1	0000	5925+0	1033+0	1662-1	6975-2	5805+2
	0000	5028-2	2606-2	1077+0	3237-2	3651-2	7012-2	2969-2	0000	4641-2	5156-2	0000	0000	6975+2
	0000	1792+0	9288-1	3240+1	1154+0	1301+0	2499+0	1058+0	0000					

PROJ RUN GROUP CONF MACH X/D  
0626 0014 0243 0002 2950+0 8939+0

	1	2	3	4	5	6	7	8	9	Po	q	Pinf	Re	To
02	1702-1	1659-1	1709-1	1719-1	0000	0000	0000	0000	0000	5893+0	1029+0	1655-1	6945-2	5805+2
	2886-2	2812-2	2858-2	2913-2	0000	0000	0000	0000	0000	4688-2	5359-2	0000	0000	6975+2
	1029+0	1002+0	1033+0	1038+0	0000	0000	0000	0000	0000					
03	1656-1	1659-1	1696-1	1678-1	1756-1	1695-1	1768-1	1657-1	0000	5866+0	1023+0	1646-1	6905-2	5805+2
	2823-2	2829-2	2892-2	2861-2	2994-2	2892-2	3015-2	2824-2	0000	4672-2	5313-2	0000	0000	6975+2
	1006+0	1008+0	1031+0	1019+0	1067+0	1031+0	1075+0	1007+0	0000					
05	0000	2916-1	1525-1	6376+0	1859-1	2112-1	4097-1	1720-1	0000	5873+0	1024+0	1648-1	6914-2	5805+2
	0000	4964-2	2597-2	1086+0	3165-2	3595-2	6576-2	2929-2	0000	4609-2	5128-2	0000	0000	6975+2
	0000	1769+0	9258-1	3869+1	1128+0	1281+0	2487+0	1044+0	0000					

PROJ RUN GROUP CONF MACH X/D  
0626 0014 0244 0002 2980+0 1055+1

	1	2	3	4	5	6	7	8	9	Po	q	Pinf	Re	To
02	1678-1	1675-1	1719-1	1699-1	0000	0000	0000	0000	0000	5931+0	1034+0	1664-1	6973-2	5810+2
	2828-2	2824-2	2899-2	2866-2	0000	0000	0000	0000	0000	4625-2	5221-2	0000	0000	6975+2
	1008+0	1006+0	1033+0	1022+0	0000	0000	0000	0000	0000					
03	1685-1	1727-1	1756-1	1736-1	1892-1	1749-1	1836-1	1822-1	0000	5901+0	1029+0	1656-1	6947-2	5805+2
	2856-2	2927-2	2976-2	2942-2	3205-2	2964-2	3112-2	3088-2	0000	4563-2	5221-2	0000	0000	6975+2
	1019+0	1013+0	1051+0	1049+0	1142+0	1057+0	1109+0	1101+0	0000					
05	0000	2905-1	1516-1	6378+0	1899-1	2132-1	4119-1	1733-1	0000	5903+0	1029+0	1656-1	6940-2	5810+2
	0000	4921-2	2569-2	1080+0	3218-2	3611-2	6978-2	2935-2	0000	4656-2	5234-2	0000	0000	6975+2
	0000	1754+0	9155-1	3851+1	1147+0	1287+0	2487+0	1046+0	0000					

PROJ RUN GROUP COMP NACH X/D  
0626 0014 0245 0002 2000+0 1015+0

	1	2	3	4	5	6	7	8	9	Po	q	Pinf	Re	To
02	2544-1	2632-1	2666-1	2490-1	0000	0000	0000	0000	0000	2831+0	1013+0	3619-1	5435-2	5835+2
	8983-2	9296-2	9417-2	8795-2	0000	0000	0000	0000	0000	2745-1	2750-1	0000	0000	6975+2
	7023-1	7274-1	7369-1	6881-1	0000	0000	0000	0000	0000					6975+2
03	2825-1	2480-1	2642-1	2697-1	2518-1	2853-1	3614-1	4480-1	0000	2779+0	9948-1	3553-1	5336-2	5835+2
	1016-1	8922-2	9503-2	9702-2	9057-2	1028-1	1300-1	1612-1	0000	2722-1	2741-1	0000	0000	6975+2
	7951-1	6981-1	7336-1	7591-1	7087-1	8044-1	1017+0	1261+0	0000					6975+2
05	0000	4572-1	2908-1	6383+0	3639-1	5497-1	6914-1	3318-1	0000	2778+0	9943-1	3551-1	5327-2	5840+2
	0000	1645-1	1047-1	2297+0	1310-1	1975-1	2488-1	1194-1	0000	2694-1	2716-1	0000	0000	6975+2
	0000	1287+0	8129-1	1798+1	1025+0	1545+0	1947+0	9344-1	0000					6975+2

PROJ RUN GROUP COMP NACH X/D  
0626 0014 0245 0002 2000+0 1995+0

	1	2	3	4	5	6	7	8	9	Po	q	Pinf	Re	To
02	4049-1	4476-1	4447-1	4349-1	0000	0000	0000	0000	0000	2831+0	1013+0	3619-1	5435-2	5835+2
	1429-1	1581-1	1571-1	1536-1	0000	0000	0000	0000	0000	1981-1	2173-1	0000	0000	6975+2
	1119+0	1237+0	1229+0	1202+0	0000	0000	0000	0000	0000					6975+2
03	2565-1	4179-1	4539-1	4582-1	4414-1	2715-1	2854-1	3481-1	0000	2858+0	1023+0	3653-1	5426-2	5835+2
	8976-2	1463-1	1585-1	1603-1	1545-1	9503-2	9996-2	1218-1	0000	1970-1	2091-1	0000	0000	6975+2
	7023-1	1144+0	1242+0	1254+0	1208+0	7435-1	7513-1	9529-1	0000					6975+2
05	0000	4688-1	2982-1	6383+0	3763-1	5628-1	7090-1	3471-1	0000	2861+0	1024+0	3657-1	5492-2	5835+2
	0000	1639-1	1042-1	2231+0	1315-1	1967-1	2478-1	1213-1	0000	1979-1	2067-1	0000	0000	6975+2
	0000	1282+0	8154-1	1746+1	1029+0	1539+0	1935+0	9493-1	0000					6975+2

PROJ RUN GROUP CONF PAGE X/D  
0626 0014 0247 0002 2000+C 2989+0

	1	2	3	4	5	6	7	8	9	Po	q	Pinf	Re	To
02	4406-1	4376-1	4369-1	4447-1	0000	0000	0000	0000	0000	2829+0	1013+0	3617-1	5432-2	5335+2
	1557-1	1547-1	1544-1	1572-1	0000	0000	0000	0000	0000	1947-1	2014-1	0000	0000	6975+2
	1218+0	1210+0	1206+C	1229+0	0000	0000	0000	0000	0000					
003	4397-1	4445-1	4327-1	4391-1	4517-1	4432-1	3694-1	3058-1	0000	2852+0	1020+0	3645-1	5474-2	5335+2
	1542-1	1559-1	1533-1	1539-1	1524-1	1554-1	1366-1	1072-1	0000	1955-1	2027-1	0000	0000	6975+2
	1206+0	1219+0	1204+0	1205+0	1239+0	1216+0	1065+0	2359-1	0000					
05	0000	4672-1	2991-1	6383+0	3766-1	5612-1	7081-1	3479-1	0000	2872+0	1025+0	3671-1	5513-2	5335+2
	0000	1627-1	1041-1	2222+0	1311-1	1954-1	2466-1	1211-1	0000	1973-1	2045-1	0000	0000	6975+2
	0000	1273+0	8142-1	1739+1	1026+0	1529+0	1929+0	5478-1	0000					

PROJ RUN GROUP CONF PAGE X/D  
0626 0014 0248 0002 2000+0 4964+0

	1	2	3	4	5	6	7	8	9	Po	q	Pinf	Re	To
02	4112-1	4071-1	4130-1	4138-1	0000	0000	0000	0000	0000	2814+0	1007+0	3597-1	5402-2	5335+2
	1461-1	1447-1	1468-1	1471-1	0000	0000	0000	0000	0000	1933-1	2027-1	0000	0000	6975+2
	1143+0	1132+0	1142+C	1151+0	0000	0000	0000	0000	0000					
03	4145-1	4211-1	4187-1	4188-1	4322-1	4175-1	4109-1	4204-1	0000	2829+0	1013+0	3617-1	5432-2	5335+2
	1465-1	1488-1	1479-1	1480-1	1529-1	1475-1	1452-1	1466-1	0000	1938-1	2006-1	0000	0000	6975+2
	1146+0	1104+0	1156+0	1158+0	1197+0	1154+0	1136+0	1162+0	0000					
05	0000	4637-1	2963-1	6385+0	3725-1	5573-1	7019-1	3437-1	0000	2849+0	1019+0	3641-1	5474-2	5335+2
	0000	1628-1	1040-1	2242+0	1306-1	1956-1	2464-1	1207-1	0000	1964-1	2033-1	0000	0000	6975+2
	0000	1274+0	8139-1	1754+1	1023+0	1531+0	1922+0	5441-1	0000					

PROJ RUN	GROUP	CONF	MACH	X/D	1	2	3	4	5	6	7	8	9	PO	Q	PINF	RE	TO	
062E	0014	0249	00C2	2000+0	€954+0														
02	3912-1	3771-1	3851-1	3764-1	0000	0000	0000	0000	0000	0000	0000	0000	0000	2875+0	1029+0	3675-1	5525-2	5830+2	
	1361-1	1312-1	1339-1	1309-1	0000	0000	0000	0000	0000	0000	0000	0000	0000	1954-1	2033-1	0000	0000	6975+2	
	1065+0	1026+0	1048+0	1024+0	0000	0000	0000	0000	0000	0000	0000	0000	0000						
03	4160-1	3966-1	3784-1	3848-1	4106-1	4265-1	4216-1	4105-1	0000	0000	0000	0000	0000	2850+0	1019+0	3643-1	5477-2	5830+2	
	1459-1	1391-1	1328-1	1350-1	1441-1	1496-1	1479-1	1440-1	0000	0000	0000	0000	0000	1961-1	2036-1	0000	0000	6975+2	
	1142+0	1089+0	1039+0	1056+0	1127+0	1171+0	1158+0	1127+0	0000	0000	0000	0000	0000						
05	0000	4663-1	2969-1	6383+0	3708-1	5573-1	7035-1	3402-1	0000	0000	0000	0000	0000	2845+0	1019+0	3641-1	5474-2	5830+2	
	0000	1637-1	1042-1	2241+0	1302-1	1956-1	2469-1	1194-1	0000	0000	0000	0000	0000	1947-1	2034-1	0000	0000	6975+2	
	0000	1281+0	8156-1	1753+1	1019+0	1531+0	1932+0	9343-1	0000	0000	0000	0000	0000						

PROJ RUN	GROUP	CONF	MACH	X/D	1	2	3	4	5	6	7	8	9	PO	Q	PINF	RE	TO
062E	0014	0250	0002	2000+0	8939+0													
02	4067-1	4037-1	4157-1	4051-1	0000	0000	0000	0000	0000	0000	0000	0000	0000	2845+0	1019+0	3641-1	5474-2	5830+2
	1428-1	1417-1	1459-1	1422-1	0000	0000	0000	0000	0000	0000	0000	0000	0000	1947-1	2017-1	0000	0000	6975+2
	1117+0	1109+0	1142+0	1113+0	0000	0000	0000	0000	0000	0000	0000	0000	0000					
03	4021-1	4051-1	4066-1	4105-1	4453-1	4093-1	3966-1	3932-1	0000	0000	0000	0000	0000	2856+0	1022+0	3651-1	5489-2	5830+2
	1406-1	1418-1	1423-1	1437-1	1468-1	1433-1	1388-1	1376-1	0000	0000	0000	0000	0000	1942-1	2006-1	0000	0000	6975+2
	1101+0	1109+0	1114+0	1125+0	1149+0	1121+0	1086+0	1077+0	0000	0000	0000	0000	0000					
05	0000	4691-1	2994-1	6373+0	3778-1	5651-1	7128-1	3482-1	0000	0000	0000	0000	0000	2881+0	1031+0	3683-1	5537-2	5830+2
	0000	1628-1	1039-1	2212+0	1311-1	1561-1	2474-1	1209-1	0000	0000	0000	0000	0000	1956-1	2031-1	0000	0000	6975+2
	0000	1274+0	8130-1	1731+1	1026+0	1535+0	1936+0	9456-1	0000	0000	0000	0000	0000					

PROJ RUN GROUP COMP MACH X/D  
0626 0014 0251 0002 2000+0 1095+1

	1	2	3	4	5	6	7	8	9	Po	q	Pinf	Re	To
02	3993-1	3926-1	4072-1	3983-1	0000	0000	0000	0000	0000	2852+0	1020+0	3645-1	5474-2	5835+2
	1400-1	1377-1	1428-1	1397-1	0000	0000	0000	0000	0000	1367-1	2019-1	0000	0000	6975+2
	1095+0	1077+0	1117+0	1093+0	0000	0000	0000	0000	0000					6975+2
03	4099-1	3915-1	3963-1	4018-1	4099-1	4473-1	4175-1	4097-1	0000	2849+0	1019+0	3641-1	5474-2	5830+2
	1439-1	1374-1	1394-1	1410-1	1439-1	1465-1	1466-1	1438-1	0000	1953-1	2013-1	0000	0000	6975+2
	1126+0	1075+0	1088+0	1104+0	1126+0	1146+0	1147+0	1125+0	0000					6975+2
05	0000	4663-1	2980-1	6385+0	3743-1	5643-1	7104-1	3436-1	0000	2877+0	1029+0	3677-1	5528-2	5830+2
	0000	1621-1	1036-1	2219+0	1391-1	1962-1	2469-1	1194-1	0000	1964-1	2017-1	0000	0000	6975+2
	0000	1268+0	8106-1	1737+1	1018+0	1535+0	1932+0	9345-1	0000					6975+2

PROJ RUN GROUP COMP MACH X/D  
0626 0014 0252 0002 2000+0 1093+0

	1	2	3	4	5	6	7	8	9	Po	q	Pinf	Re	To
02	1533+0	1593+0	1536+0	1435+0	0000	0000	0000	0000	0000	1917+1	6861+0	2451+0	3702-1	5810+2
	7996-2	8254-2	8008-2	7482-2	0000	0000	0000	0000	0000	1562+0	1719+0	0000	0000	6975+2
	6256-1	6458-1	6266-1	5854-1	0000	0000	0000	0000	0000					6975+2
03	1744+0	1469+0	1525+0	1553+0	1537+0	1764+0	2229+0	3043+0	0000	1914+1	6839+0	2443+0	3690-1	5810+2
	9127-2	7591-2	7978-2	8125-2	8043-2	9230-2	1198-1	1592-1	0000	1556+0	1707+0	0000	0000	6975+2
	7141-1	6018-1	6242-1	6359-1	6293-1	7222-1	9371-1	1246+0	0000					6975+2
05	0000	3027+0	1827+0	6373+0	2198+0	3426+0	4770+0	1982+0	0000	1900+1	6800+0	2420+0	3669-1	5810+2
	0000	1593-1	9617-2	3354-1	1107-1	1803-1	2511-1	1043-1	0000	1555+0	1710+0	0000	0000	6975+2
	0000	1246+0	7524-1	2624+0	9050-1	1411+0	1964+0	8159-1	0000					6975+2

PROJ	RUN	GROUP	CONF	MACH	X/D	1	2	3	4	5	6	7	8	9	Po	q	Pinf	Re	To	
0626	0014	0253	0002	2000+0	1995+0															
02						2132+0	2698+0	2607+0	2356+0	0000	0000	0000	0000	0000	1890+1	6764+0	2416+0	3645-1	5815+2	
						1128-1	1427-1	1379-1	1247-1	0000	0000	0000	0000	0000	1209+0	1345+0	0000	0000	6975+2	6975+2
						8825-1	1117+0	1079+0	9754-1	0000	0000	0000	0000	0000						
03						1537+0	2267+0	2655+0	2706+0	2343+0	1616+0	1769+0	2163+0	0000	1598+1	6752+0	2426+0	3664-1	5810+2	
						8099-2	1195-1	1399-1	1426-1	1235-1	8517-2	9319-2	1139-1	0000	1209+0	1345+0	0000	0000	6975+2	6975+2
						6337-1	9348-1	1095+0	1115+0	9661-1	6664-1	7292-1	8918-1	0000						
05						0000	3021+0	1832+0	6380+0	2194+0	3432+0	4778+0	1889+0	0000	1903+1	6805+0	2432+0	3674-1	5810+2	
						0000	1588-1	9629-2	3354-1	1153-1	1804-1	2511-1	1045-1	0000	1212+0	1350+0	0000	0000	6975+2	6975+2
						0000	1243+0	7534-1	2624+0	9023-1	1411+0	1965+0	8178-1	0000						

PROJ	RUN	GROUP	CONF	MACH	X/D	1	2	3	4	5	6	7	8	9	Po	q	Pinf	Re	To	
0626	0014	0254	0002	2000+0	2985+0															
02						2658+0	2639+0	2569+0	2639+0	0000	0000	0000	0000	0000	1900+1	6800+0	2429+0	3665-1	5815+2	
						1399-1	1389-1	1352-1	1389-1	0000	0000	0000	0000	0000	1207+0	1341+0	0000	0000	6975+2	6975+2
						1094+0	1087+0	1058+0	1087+0	0000	0000	0000	0000	0000						
03						2566+0	2723+0	2607+0	2644+0	2680+0	2614+0	1504+0	1793+0	0000	1399+1	6797+0	2423+0	3663-1	5815+2	
						1351-1	1433-1	1372-1	1392-1	1411-1	1376-1	9496-2	5440-2	0000	1206+0	1345+0	0000	0000	6975+2	6975+2
						1057+0	1122+0	1074+0	1089+0	1104+0	1077+0	7430-1	7357-1	0000						
05						0000	3036+0	1839+0	6385+0	2208+0	3466+0	4808+0	2001+0	0000	1914+1	6850+0	2447+0	3692-1	5815+2	
						0000	1586-1	9611-2	3336-1	1154-1	1811-1	2512-1	1045-1	0000	1211+0	1350+0	0000	0000	6975+2	6975+2
						0000	1241+0	7519-1	2609+0	9025-1	1417+0	1965+0	8179-1	0000						

PROJ RUN GROUP COMP MACH X/D  
0626 0014 0255 0002 2000+0 4959+0

	1	2	3	4	5	6	7	8	9	Po	q	Pinf	Re	To
02	2524+0	2498+0	2509+0	2512+0	0000	0000	0000	0000	0000	1921+1	6875+0	2455+0	3705-1	5815+2
	1314-1	1300-1	1306-1	1307-1	0000	0000	0000	0000	0000	1223+0	1360+0	0000	0000	6975+2
	1028+0	1017+0	1022+0	1023+0	0000	0000	0000	0000	0000					6975+2
03	2567+0	2537+0	2487+0	2534+0	2561+0	2599+0	2532+0	2493+0	0000	1933+1	6917+0	2470+0	3722-1	5815+2
	1328-1	1313-1	1286-1	1311-1	1325-1	1345-1	1333-1	1289-1	0000	1225+0	1360+0	0000	0000	6975+2
	1039+0	1027+0	1006+0	1026+0	1037+0	1052+0	1048+0	1009+0	0000					6975+2
05	0000	3075+0	1857+0	6367+0	2236+0	3511+0	4551+0	2011+0	0000	1942+1	6951+0	2482+0	3742-1	5820+2
	0000	1583-1	9559-2	3259-1	1151-1	1508-1	2513-1	1035-1	0000	1233+0	1367+0	0000	0000	6975+2
	0000	1239+0	7479-1	2573+0	9007-1	1414+0	1966+0	5102-1	0000					6975+2

PROJ RUN GROUP COMP MACH X/D  
0626 0014 0256 0002 2000+0 6954+0

	1	2	3	4	5	6	7	8	9	Po	q	Pinf	Re	To
02	2577+0	2521+0	2547+0	2586+0	0000	0000	0000	0000	0000	1941+1	6945+0	2480+0	3739-1	5820+2
	1328-1	1299-1	1312-1	1332-1	0000	0000	0000	0000	0000	1234+0	1375+0	0000	0000	6975+2
	1039+0	1016+0	1027+0	1043+0	0000	0000	0000	0000	0000					6975+2
03	2521+0	2477+0	2497+0	2539+0	2496+0	2529+0	2508+0	2549+0	0000	1942+1	6951+0	2482+0	3746-1	5820+2
	1258-1	1275-1	1255-1	1307-1	1253-1	1302-1	1291-1	1313-1	0000	1235+0	1363+0	0000	0000	6975+2
	1015+0	9979-1	1006+0	1023+0	1005+0	1019+0	1010+0	1027+0	0000					6975+2
05	0000	3070+0	1861+0	6387+0	2232+0	3495+0	4855+0	2021+0	0000	1931+1	6912+0	2468+0	3720-1	5820+2
	0000	1589-1	9637-2	3307-1	1156-1	1811-1	2514-1	1046-1	0000	1234+0	1373+0	0000	0000	6975+2
	0000	1244+0	7540-1	2506+0	5043-1	1417+0	1967+0	5155-1	0000					6975+2



PROJ RUN GROUP CONF EACH X/D  
0626 0014 0257 0002 2000+0 8943+0

	1	2	3	4	5	6	7	8	9	Po	q	Pinf	Re	To
02	2433+0	2476+0	2597+0	2438+0	0000	0000	0000	0000	0000	1925+1	6901+0	2454+0	3714-1	5820+2
	1262-1	1284-1	1295-1	1264-1	0000	0000	0000	0000	0000	1229+0	1368+0	0000	0000	6975+2
	9872-1	1005+0	1013+0	9894-1	0000	0000	0000	0000	0000					6975+2
03	2444+0	2459+0	2461+0	2488+0	2455+0	2479+0	2580+0	2521+0	0000	1935+1	6923+0	2472+0	3726-1	5820+2
	1263-1	1271-1	1272-1	1286-1	1269-1	1281-1	1334-1	1303-1	0000	1232+0	1364+0	0000	0000	6975+2
	9884-1	9944-1	9954-1	1006+0	9931-1	1003+0	1044+0	1019+0	0000					6975+2
05	0000	3058+0	1950+0	6389+0	2216+0	3479+0	4845+0	1996+0	0000	1932+1	6915+0	2459+0	3722-1	5820+2
	0000	1583-1	9577-2	3307-1	1147-1	1801-1	2508-1	1033-1	0000	1225+0	1359+0	0000	0000	6975+2
	0000	1238+0	7493-1	2588+0	8973-1	1409+0	1962+0	8081-1	0000					6975+2

PROJ RUN: GROUP CONF EACH X/D  
0626 0014 0258 0002 2000+0 1095+1

	1	2	3	4	5	6	7	8	9	Po	q	Pinf	Re	To
02	2503+0	2429+0	2417+0	2445+0	0000	0000	0000	0000	0000	1934+1	6920+0	2471+0	3725-1	5820+2
	1295-1	1257-1	1250-1	1265-1	0000	0000	0000	0000	0000	1223+0	1362+0	0000	0000	6975+2
	1013+0	9832-1	9780-1	9894-1	0000	0000	0000	0000	0000					6975+2
03	2431+0	2454+0	2410+0	2441+0	2457+0	2473+0	2476+0	2502+0	0000	1934+1	6909+0	2467+0	3719-1	5820+2
	1259-1	1271-1	1248-1	1264-1	1273-1	1281-1	1282-1	1296-1	0000	1223+0	1359+0	0000	0000	6975+2
	9850-1	9946-1	9768-1	9891-1	9957-1	1002+0	1003+0	1014+0	0000					6975+2
05	0000	3049+0	1851+0	6389+0	2214+0	3468+0	4824+0	1999+0	0000	1923+1	6881+0	2458+0	3704-1	5820+2
	0000	1586-1	9628-2	3323-1	1151-1	1804-1	2509-1	1039-1	0000	1220+0	1361+0	0000	0000	6975+2
	0000	1241+0	7533-1	2600+0	9007-1	1411+0	1563+0	8133-1	0000					6975+2

PROJ	RUN	GROUP	CONF	MACH	X/D	1	2	3	4	5	6	7	8	9	Po	q	Pinf	Re	To	
0626	0014	0259	0002	3000+0	1034+0															
02	4226-1	1232+0	6222-1	4044-1	0000	0000	0000	0000	0000	0000	0000	0000	0000	0000	4324+1	7433+0	1179+0	5023-1	5825+2	
	9751-3	2843-2	1449-2	9332-3	0000	0000	0000	0000	0000	0000	0000	0000	0000	0000	5111-1	5794-1	0000	0000	6975+2	
	3582-1	1044+0	5324-1	3426-1	0000	0000	0000	0000	0000	0000	0000	0000	0000	0000					6975+2	
03	8243-1	1079+0	5959-1	6271-1	4207-1	8547-1	1559+0	1049+0	0000	0000	0000	0000	0000	0000	4322+1	7425+0	1179+0	5017-1	5825+2	
	2043-2	2492-2	1376-2	4449-2	1110-2	1974-2	3672-2	2424-2	0000	0000	0000	0000	0000	0000	5089-1	5783-1	0000	0000	6975+2	
	7504-1	9454-1	5056-1	5321-1	4079-1	7252-1	2349+0	8903-1	0000	0000	0000	0000	0000	0000					6975+2	
05	0000	2615+0	9595-1	6380+0	1176+0	1627+0	2938+0	1196+0	0000	0000	0000	0000	0000	0000	4317+1	7405+0	1179+0	5004-1	5825+2	
	0000	6097-2	2222-2	1478-1	2725-2	3768-2	6804-2	2771-2	0000	0000	0000	0000	0000	0000	5111-1	5789-1	0000	0000	6975+2	
	0000	2225+0	8164-1	5429+0	1001+0	1384+0	2453+0	1012+0	0000	0000	0000	0000	0000	0000					6975+2	

PROJ	RUN	GROUP	CONF	MACH	X/D	1	2	3	4	5	6	7	8	9	Po	q	Pinf	Re	To
0626	0014	0260	0002	3000+0	1995+0														
02	4129-1	1327+0	1252+0	4587-1	0000	0000	0000	0000	0000	0000	0000	0000	0000	0000	4324+1	7415+0	1177+0	5004-1	5830+2
	9551-3	3068-2	2896-2	1061-2	0000	0000	0000	0000	0000	0000	0000	0000	0000	0000	3292-1	3225-1	0000	0000	6975+2
	3508-1	1127+0	1064+0	3897-1	0000	0000	0000	0000	0000	0000	0000	0000	0000	0000					6975+2
03	5424-1	4699-1	1335+0	1377+0	4961-1	5766-1	1059+0	1431+0	0000	0000	0000	0000	0000	0000	4332+1	7430+0	1179+0	5014-1	5830+2
	1252-2	1085-2	3080-2	3175-2	1145-2	1331-2	2443-2	3303-2	0000	0000	0000	0000	0000	0000	3269-1	3775-1	0000	0000	6975+2
	4599-1	3994-1	1132+0	1167+0	4206-1	4889-1	8975-1	1213+0	0000	0000	0000	0000	0000	0000					6975+2
05	0000	1974+0	9556-1	6387+0	1167+0	1620+0	2935+0	1152+0	0000	0000	0000	0000	0000	0000	4324+1	7417+0	1177+0	5005-1	5830+2
	0000	4565-2	2209-2	1477-1	2695-2	3747-2	6788-2	2734-2	0000	0000	0000	0000	0000	0000	3239-1	3734-1	0000	0000	6975+2
	0000	1677+0	8118-1	5426+0	9913-1	1376+0	2493+0	1004+0	0000	0000	0000	0000	0000	0000					6975+2

PROJ RUN GROUP CONF PAGE X/D  
0626 0014 0261 0002 3000+0 2985+0

	1	2	3	4	5	6	7	8	9	Po	q	Finf	Re	To
02	1309+0	1306+0	1227+0	1318+0	0000	0000	0000	0000	0000	4312+1	7395+0	1174+0	4991-1	5830+2
	3037-2	3029-2	2847-2	3057-2	0000	0000	0000	0000	0000	3229-1	3711-1	0000	0000	6975+2
	1116+0	1113+0	1046+0	1123+0	0000	0000	0000	0000	0000					6975+2
03	5432-1	1306+0	1226+0	1311+0	1321+0	6047-1	8103-1	1044+0	0000	4307+1	7387+0	1173+0	4995-1	5830+2
	1261-2	3033-2	2956-2	3044-2	3067-2	1404-2	1981-2	2423-2	0000	3247-1	3703-1	0000	0000	6975+2
	4633-1	1114+0	1097+0	1118+0	1127+0	5457-1	6911-1	8302-1	0000					6975+2
05	0000	1977+0	9549-1	6385+0	1170+0	1504+0	2928+0	1176+0	0000	4312+1	7395+0	1174+0	4991-1	5830+2
	0000	4585-2	2215-2	1481-1	2714-2	2719-2	6791-2	2728-2	0000	3245-1	3722-1	0000	0000	6975+2
	0000	1684+0	8135-1	5439+0	9968-1	1366+0	2495+0	1002+0	0000					6975+2

PROJ RUN GROUP CONF PAGE X/D  
0626 0014 0262 0002 3000+0 4969+0

	1	2	3	4	5	6	7	8	9	Po	q	Finf	Re	To
02	1200+0	1179+0	1141+0	1153+0	0000	0000	0000	0000	0000	4312+1	7395+0	1174+0	4984-1	5835+2
	2783-2	2736-2	2647-2	2743-2	0000	0000	0000	0000	0000	3245-1	3695-1	0000	0000	6975+2
	1022+0	1005+0	9722-1	1008+0	0000	0000	0000	0000	0000					6975+2
03	1196+0	1193+0	1154+0	1134+0	1199+0	1195+0	1224+0	7756-1	0000	4314+1	7393+0	1174+0	4987-1	5835+2
	2773-2	2765-2	2674-2	2743-2	2779-2	2769-2	2838-2	1798-2	0000	3231-1	3670-1	0000	0000	6975+2
	1015+0	1016+0	9822-1	1008+0	1021+0	1017+0	1042+0	6604-1	0000					6975+2
05	0000	1979+0	9526-1	6385+0	1170+0	1029+0	2929+0	1173+0	0000	4314+1	7394+0	1174+0	4984-1	5835+2
	0000	4589-2	2209-2	1481-1	2714-2	2778-2	6794-2	2721-2	0000	3227-1	3692-1	0000	0000	6975+2
	0000	1686+0	8116-1	5440+0	9959-1	1388+0	2496+0	9995-1	0000					6975+2

PROJ RCTI GROUP COMF NACH X/D  
0626 0014 0263 0002 3000+C 6954+0

	1	2	3	4	5	6	7	8	9	Po	q	Pinf	Re	To
02	1157+0	1129+0	1121+0	1135+0	0000	0000	0000	0000	0000	4327+1	7421+C	1172+0	5002-1	5835+2
	2673-2	2611-2	2591-2	2623-2	0000	0000	0000	0000	0000	3217-1	3699-1	0000	0000	6975+2
	9819-1	9592-1	9519-1	9637-1	0000	0000	0000	0000	0000					6975+2
03	1147+0	1153+0	1121+0	1146+0	1166+0	1164+0	1177+0	1163+0	0000	4303+1	7379+0	1171+0	4974-1	5835+2
	2667-2	2680-2	2606-2	2664-2	2711-2	2705-2	2735-2	2703-2	0000	3233-1	3692-1	0000	0000	6975+2
	9796-1	9845-1	9772-1	9784-1	9957-1	9936-1	1005+0	9929-1	0000					6975+2
05	0000	1978+0	9504-1	6395+0	1172+0	1618+0	2931+0	1179+0	0000	4309+1	7391+0	1173+0	4975-1	5840+2
	0000	4589-2	2219-2	1484-1	2719-2	3754-2	6502-2	2735-2	0000	3229-1	3663-1	0000	0000	6975+2
	0000	1686+0	8152-1	5450+0	9987-1	1379+0	2499+0	1005+0	0000					6975+2

PROJ RUN GROUP COMF NACH X/D  
0626 0014 0264 0002 3000+C 6943+0

	1	2	3	4	5	6	7	8	9	Po	q	Pinf	Re	To
02	1129+0	1131+0	1106+0	1119+0	0000	0000	0000	0000	0000	4317+1	7403+C	1175+0	4983-1	5840+2
	2617-2	2621-2	2562-2	2592-2	0000	0000	0000	0000	0000	3229-1	3697-1	0000	0000	6975+2
	9612-1	9627-1	9410-1	9519-1	0000	0000	0000	0000	0000					6975+2
03	1134+0	1162+0	1114+0	1136+0	1155+0	1143+0	1145+0	1146+0	0000	4295+1	7566+0	1169+0	4955-1	5840+2
	2641-2	2705-2	2595-2	2645-2	2666-2	2661-2	2666-2	2668-2	0000	3233-1	3691-1	0000	0000	6975+2
	9700-1	9936-1	9530-1	9715-1	9675-1	9773-1	9792-1	9800-1	0000					6975+2
05	0000	1976+0	9526-1	6387+C	1171+0	1606+0	2924+0	1175+0	0000	4305+1	7383+0	1172+0	4959-1	5840+2
	0000	4589-2	2213-2	1464-1	2719-2	3731-2	6793-2	2730-2	0000	3234-1	3691-1	0000	0000	6975+2
	0000	1686+0	8128-1	5450+0	9951-1	1371+0	2495+0	1003+0	0000					6975+2

PROJ RUN GROUP COMP MACH X/D  
0626 0014 0265 0002 3000+0 1095+1

	1	2	3	4	5	6	7	8	9	Po	q	Pinf	Re	To
02	1127+0	1103+0	1096+0	1121+0	0000	0000	0000	0000	0000	4301+1	7377+0	1171+0	4265-1	5840+2
	2621-2	2564-2	2548-2	2606-2	0000	0000	0000	0000	0000	3239-1	3652-1	0000	0000	6975+2
	9627-1	9417-1	9359-1	9574-1	0000	0000	0000	0000	0000					6975+2
03	1109+0	1117+0	1091+0	1115+0	1123+0	1139+0	1094+0	1096+0	0000	4312+1	7355+0	1174+0	4578-1	5840+2
	2573-2	2589-2	2531-2	2585-2	2604-2	2641-2	2538-2	2542-2	0000	3238-1	3700-1	0000	0000	6975+2
	9450-1	9512-1	9296-1	9497-1	9554-1	9701-1	9322-1	9337-1	0000					6975+2
05	0000	1972+0	9503-1	6389+0	1168+0	1613+0	2921+0	1172+0	0000	4306+1	7386+0	1172+0	4972-1	5840+2
	0000	4580-2	2207-2	1484-1	2712-2	3745-2	6784-2	2720-2	0000	3234-1	3703-1	0000	0000	6975+2
	0000	1682+0	8105-1	5450+0	9561-1	1375+0	2492+0	9993-1	0000					6975+2

PROJ RUN GROUP COMP MACH X/D  
0626 0015 0266 0004 2000+0 9963-1

	1	2	3	4	5	6	7	8	9	Po	q	Pinf	Re	To
02	1099+1	1629+0	7798+0	1627+0	1935+0	6389+0	1095+1	1121+1	1104+1	1924+1	6884+0	2459+0	3709-1	5815+2
	5716-1	8466-2	2494-1	8459-1	1006-1	3321-1	5693-1	5828-1	5740-1	1720+0	1575+0	1669+0	1663+0	6975+2
	4473+0	6624-1	1952+0	6619-1	7872-1	2599+0	4455+0	4559+0	4491+0					6975+2
03	8239+0	1808+0	1656+0	1676+0	1689+0	1770+0	1867+0	2124+0	4471+0	1935+1	6923+0	2472+0	3731-1	5815+2
	4259-1	9347-2	8562-2	8665-2	8733-2	9151-2	9649-2	1098-1	2311-1	1717+0	1569+0	1659+0	1659+0	6975+2
	3333+0	7313-1	6699-1	6779-1	6833-1	7159-1	7549-1	8589-1	1808+0					6975+2
04	1117+1	1069+1	9917+0	1136+1	1099+1	1248+1	0000	0000	0000	1928+1	6898+0	2463+0	3717-1	5815+2
	5797-1	5548-1	5145-1	5892-1	5702-1	6473-1	0000	0000	0000	1714+0	1568+0	1667+0	1657+0	6975+2
	4536+0	4341+0	4025+0	4609+0	4461+0	5064+0	0000	0000	0000					6975+2
05	0000	3115+0	2682+0	2789+0	3028+0	2775+0	0000	0000	0000	1925+1	6889+0	2460+0	3717-1	5810+2
	0000	1618-1	1393-1	1449-1	1573-1	1441-1	0000	0000	0000	1717+0	1567+0	1663+0	1655+0	6975+2
	0000	1266+0	1089+0	1134+0	1230+0	1128+0	0000	0000	0000					6975+2

PROJ RUN GROUP COMP MACH X/D  
0626 0015 0267 0004 2000+0 1984+0

	1	2	3	4	5	6	7	8	9	Po	q	Pinf	Re	To
02	1389+1	4281+0	5402+0	5276+0	8478+0	1270+1	1399+1	1399+1	1140+1	1924+1	6884+0	2459+0	3709-1	5815+2
	7223-1	2226-1	2808-1	2743-1	4408-1	6603-1	7272-1	7277-1	5928-1	1216+0	1157+0	1236+0	1191+0	6975+2
	5652+0	1741+0	2197+0	2146+0	3449+0	5166+0	5689+0	5694+0	4638+0					6975+2
03	1176+1	1312+1	5514+0	7208+0	9558+0	1282+1	1378+1	1331+1	1249+1	1929+1	6906+0	2466+0	3722-1	5815+2
	6095-1	6799-1	2857-1	3735-1	4953-1	6644-1	7139-1	6896-1	6472-1	1214+0	1157+0	1229+0	1189+0	6975+2
	4769+0	5319+0	2236+0	2922+0	3875+0	5199+0	5586+0	5396+0	5064+0					6975+2
04	1156+1	1928+0	1230+1	1129+1	1176+1	1155+1	0000	0000	0000	1932+1	6915+0	2469+0	3726-1	5815+2
	5981-1	9980-2	6367-1	5846-1	6087-1	5976-1	0000	0000	0000	1214+0	1155+0	1232+0	1185+0	6975+2
	4679+0	7809-1	4982+0	4574+0	4762+0	4676+0	0000	0000	0000					6975+2
05	0000	3129+0	2693+0	2791+0	3034+0	2778+0	0000	0000	0000	1934+1	6920+0	2471+0	3729-1	5815+2
	0000	1618-1	1393-1	1443-1	1569-1	1437-1	0000	0000	0000	1216+0	1156+0	1234+0	1189+0	6975+2
	0000	1266+0	1089+0	1129+0	1228+0	1124+0	0000	0000	0000					6975+2

PROJ RUN GROUP COMP MACH X/D  
0626 0015 0268 0004 2000+0 2739+0

	1	2	3	4	5	6	7	8	9	Po	q	Pinf	Re	To
02	1284+1	6669+0	4215+0	6799+0	8109+0	1073+1	1289+1	1416+1	1431+1	1932+1	6915+0	2469+0	3731-1	5810+2
	6644-1	3452-1	2182-1	3519-1	4197-1	5554-1	6673-1	7331-1	7405-1	1209+0	1149+0	1219+0	1180+0	6975+2
	5199+0	2701+0	1707+0	2753+0	3284+0	4345+0	5221+0	5736+0	5794+0					6975+2
03	1249+1	1345+1	8259+0	9995+0	1194+1	1342+1	1401+1	1351+1	1278+1	1931+1	6912+0	2468+0	3725-1	5815+2
	6469-1	6965-1	4276-1	5175-1	6184-1	6949-1	7252-1	6993-1	6616-1	1207+0	1152+0	1223+0	1184+0	6975+2
	5061+0	5449+0	3346+0	4049+0	4838+0	5437+0	5674+0	5472+0	5176+0					6975+2
04	1242+1	1271+1	1339+1	1265+1	1267+1	1219+1	0000	0000	0000	1928+1	6898+0	2463+0	3717-1	5815+2
	6443-1	6592-1	6349-1	6565-1	6571-1	6324-1	0000	0000	0000	1204+0	1145+0	1219+0	1183+0	6975+2
	5041+0	5158+0	5437+0	5136+0	5142+0	4948+0	0000	0000	0000					6975+2
05	0000	3118+0	2679+0	2788+0	3024+0	2774+0	0000	0000	0000	1929+1	6903+0	2466+0	3720-1	5815+2
	0000	1616-1	1389-1	1445-1	1567-1	1438-1	0000	0000	0000	1206+0	1148+0	1220+0	1183+0	6975+2
	0000	1265+0	1087+0	1131+0	1226+0	1125+0	0000	0000	0000					6975+2

PROJ RUN GROUP CONF MACH I/D  
0626 0015 0269 0004 2000+0 4958+0

	1	2	3	4	5	6	7	8	9	Po	q	Pinf	Re	To
02	1128+1	9532+0	3743+0	9243+0	9382+0	9864+0	1085+1	1217+1	1363+1	1924+1	6884+0	2459+0	3709-1	5815+2
	5863-1	4955-1	1946-1	4805-1	4877-1	5128-1	5639-1	6325-1	7088-1	1204+0	1144+0	1216+0	1181+0	6975+2
	4588+0	3877+0	1522+0	3759+0	3816+0	4012+0	4413+0	4949+0	5946+0					
03	1274+1	1316+1	1029+1	1118+1	1218+1	1312+1	1359+1	1329+1	1279+1	1928+1	6901+0	2464+0	3719-1	5815+2
	6608-1	6825-1	5335-1	5799-1	6319-1	6803-1	7050-1	6895-1	6636-1	1205+0	1145+0	1218+0	1177+0	6975+2
	5470+0	5340+0	4174+0	4538+0	4944+0	5323+0	55160	5395+0	5192+0					
04	1275+1	1298+1	1327+1	1306+1	1319+1	1333+1	0000	0000	0000	1931+1	6909+0	2467+0	3723-1	5815+2
	6606-1	6726-1	6876-1	6765-1	6835-1	6903-1	0000	0000	0000	1202+0	1144+0	1216+0	1181+0	6975+2
	5169+0	5262+0	5379+0	5293+0	5348+0	5401+0	0000	0000	0000					
05	0000	3111+0	2675+0	2778+0	3007+0	2813+0	0000	0000	0000	1949+1	6867+0	2453+0	3701-1	5815+2
	0000	1621-1	1394-1	1448-1	1567-1	1466-1	0000	0000	0000	1203+0	1145+0	1217+0	1181+0	6975+2
	0000	1269+0	1091+0	1133+0	1226+0	1147+0	0000	0000	0000					

PROJ RUN GROUP CONF MACH I/D  
0626 0015 0270 0004 2000+0 6948+0

	1	2	3	4	5	6	7	8	9	Po	q	Pinf	Re	To
02	1134+1	1037+1	3525+0	1015+1	1024+1	1041+1	1091+1	1170+1	1315+1	1932+1	6915+0	2469+0	3726-1	5815+2
	5871-1	5368-1	1824-1	5255-1	5302-1	5389-1	5649-1	6057-1	6806-1	1202+0	1141+0	1213+0	1173+0	6975+2
	4594+0	4199+0	1427+0	4111+0	4148+0	4217+0	4419+0	4739+0	5325+0					
03	1269+1	1277+1	1075+1	1141+1	1219+1	1271+1	1311+1	1318+1	1287+1	1917+1	6861+0	2451+0	3698-1	5815+2
	6619-1	6662-1	5609-1	5949-1	6358-1	6630-1	6836-1	6875-1	6712-1	1201+0	1141+0	1217+0	1179+0	6975+2
	5179+0	5213+0	4389+0	4654+0	4975+0	5188+0	5349+0	5379+0	5252+0					
04	1281+1	1297+1	1339+1	1323+1	1319+1	1316+1	0000	0000	0000	1928+1	6898+0	2463+0	3717-1	5815+2
	6646-1	6728-1	6951-1	6863-1	6845-1	6828-1	0000	0000	0000	1205+0	1144+0	1222+0	1177+0	6975+2
	5199+0	5284+0	5439+0	5369+0	5355+0	5342+0	0000	0000	0000					
05	0000	3106+0	2670+0	2773+0	3006+0	2769+0	0000	0000	0000	1923+1	6881+0	2458+0	3708-1	5815+2
	0000	1616-1	1389-1	1442-1	1563-1	1440-1	0000	0000	0000	1201+0	1145+0	1219+0	1178+0	6975+2
	0000	1264+0	1087+0	1128+0	1223+0	1127+0	0000	0000	0000					

PROJ RUN GROUP COMP MACH X/D  
0626 0015 0271 0004 2000+0 7939+0

	1	2	3	4	5	6	7	8	9	Po	q	Pinf	Re	To
02	1140+1	1064+1	0000	1053+1	1057+1	1066+1	1102+1	1167+1	1288+1	1927+1	6895+0	2462+0	3716-1	5815+2
	5917-1	5223-1	0000	5467-1	5487-1	5533-1	5718-1	6055-1	6687-1	1204+0	1141+0	1219+0	1181+0	6975+2
	4629+0	4321+0	0000	4277+0	4293+0	4329+0	4474+0	4737+0	5232+0					
03	1276+1	1274+1	1100+1	1147+1	1210+1	1267+1	1312+1	1324+1	1279+1	1917+1	6861+0	2451+0	3698-1	5815+2
	6657-1	6644-1	5737-1	5984-1	6312-1	6609-1	6842-1	6906-1	6669-1	1201+0	1141+0	1219+0	1178+0	6975+2
	5208+0	5198+0	4489+0	4682+0	4939+0	5171+0	5353+0	5403+0	5218+0					
04	1268+1	1283+1	1314+1	1302+1	1307+1	1326+1	0000	0000	0000	1927+1	6895+0	2462+0	3716-1	5815+2
	6583-1	6659-1	6819-1	6758-1	6782-1	6882-1	0000	0000	0000	1205+0	1142+0	1217+0	1178+0	6975+2
	5151+0	5210+0	5335+0	5288+0	5306+0	5384+0	0000	0000	0000					
05	0000	3118+0	2690+0	2792+0	3021+0	2847+0	0000	0000	0000	1928+1	6901+0	2464+0	3719-1	5815+2
	0000	1617-1	1395-1	1448-1	1566-1	1476-1	0000	0000	0000	1204+0	1145+0	1223+0	1181+0	6975+2
	0000	1265+0	1092+0	1133+0	1226+0	1155+0	0000	0000	0000					

PROJ RUN GROUP COMP MACH X/D  
0626 0015 0272 0004 2000+0 9226-1

	1	2	3	4	5	6	7	8	9	Po	q	Pinf	Re	To
02	1566+0	2637-1	0000	2725-1	3784-1	9309-1	1417+0	1561+0	1539+0	2744+0	5219-1	3507-1	5317-2	5795+2
	5705-1	9609-2	0000	9932-2	1379-1	3393-1	5165-1	5683-1	5612-1	2500-1	2305-1	2573-1	2566-1	6975+2
	4464+0	7519-1	0000	7771-1	1079+0	2655+0	4041+0	4451+0	4391+0					
03	1300+0	3005-1	2767-1	2766-1	2845-1	2997-1	3161-1	3782-1	1542-1	2761+0	5581-1	3529-1	5344-2	5800+2
	4709-1	1088-1	1002-1	1002-1	1030-1	1085-1	1145-1	1369-1	5586-2	2522-1	2339-1	2598-1	2602-1	6975+2
	3684+0	8516-1	7841-1	7837-1	8062-1	8492-1	8958-1	1072+0	4370-1					
04	1494+0	1535+0	1454+0	1450+0	1413+0	1619+0	0000	0000	0000	2767+0	9903-1	3537-1	5356-2	5800+2
	5399-1	5545-1	5253-1	5241-1	5123-1	5843-1	0000	0000	0000	2534-1	2355-1	2614-1	2619-1	6975+2
	4225+0	4338+0	4109+0	4101+0	4009+0	4577+0	0000	0000	0000					
05	0000	4663-1	4169-1	4691-1	4644-1	4467-1	0000	0000	0000	2772+0	9520-1	3543-1	5365-2	5800+2
	0000	1682-1	1504-1	1692-1	1675-1	1611-1	0000	0000	0000	2550-1	2363-1	2622-1	2636-1	6975+2
	0000	1316+0	1177+0	1324+0	1311+0	1261+0	0000	0000	0000					



PROJ RUN	GROUP	CONF	FACH	X/D	1	2	3	4	5	6	7	8	9	Po	Q	Pinf	Re	To	
0626	0015	0273	0004	2000+0	1984+0														
02	1999+0	7016-1	0000	8301-1	1171+0	1686+0	1955+0	2029+0	1982+0	2789+0	9982-1	3565-1	5392-2	5805+2					
	7166-1	2516-1	0000	2576-1	4193-1	6046-1	7009-1	7274-1	7126-1	1529-1	1698-1	1375-1	1936-1	6975+2					
	5607+0	1968+0	0000	2328+0	3285+0	4731+0	5484+0	5691+0	5575+0										
03	1868+0	1829+0	8476-1	1068+0	1317+0	1648+0	1898+0	1877+0	1847+0	2791+0	9987-1	3567-1	5395-2	5805+2					
	6694-1	6557-1	3037-1	3827-1	4717-1	5906-1	6802-1	6725-1	6619-1	1789-1	1648-1	1833-1	1875-1	6975+2					
	5237+0	5130+0	2376+0	2995+0	3651+0	4621+0	5322+0	5262+0	5179+0										
04	1758+0	1717+0	1696+0	1524+0	1641+0	1608+0	0000	0000	0000	2792+0	9993-1	3569-1	5398-2	5805+2					
	6274-1	6149-1	6072-1	5456-1	5878-1	5758-1	0000	0000	0000	1772-1	1628-1	1822-1	1845-1	6975+2					
	4909+0	4812+0	4751+0	4269+0	4599+0	4505+0	0000	0000	0000										
05	0000	4650-1	4238-1	4724-1	4650-1	4465-1	0000	0000	0000	2791+0	9987-1	3567-1	5395-2	5805+2					
	0000	1666-1	1518-1	1693-1	1666-1	1599-1	0000	0000	0000	1770-1	1620-1	1825-1	1836-1	6975+2					
	0000	1304+0	1188+0	1324+0	1304+0	1252+0	0000	0000	0000										

PROJ RUN	GROUP	CONF	FACH	X/D	1	2	3	4	5	6	7	8	9	Po	Q	Pinf	Re	To	
0626	0015	0274	0004	2000+0	2743+0														
02	1857+0	9907-1	0000	1026+0	1203+0	1515+0	1735+0	1976+0	2016+0	2795+0	9982-1	3565-1	5396-2	5810+2					
	6656-1	3552-1	0000	3677-1	4312-1	5433-1	6436-1	7085-1	7229-1	1763-1	1622-1	1534-1	1828-1	6975+2					
	5208+0	2779+0	0000	2877+0	3371+0	4251+0	5036+0	5543+0	5656+0										
03	1857+0	1912+0	1149+0	1341+0	1542+0	1771+0	1923+0	1912+0	1882+0	2795+0	1002+0	3577-1	5404-2	5810+2					
	6634-1	6833-1	4105-1	4793-1	5511-1	6328-1	6572-1	6853-1	6725-1	1770-1	1628-1	1827-1	1828-1	6975+2					
	5190+0	5346+0	3212+0	3750+0	4312+0	4952+0	5377+0	5362+0	5262+0										
04	1822+0	1821+0	1812+0	1681+0	1825+0	1773+0	0000	0000	0000	2802+0	1003+0	3581-1	5409-2	5810+2					
	6505-1	6501-1	6466-1	5999-1	6513-1	6327-1	0000	0000	0000	1770-1	1627-1	1541-1	1825-1	6975+2					
	5089+0	5086+0	5059+0	4694+0	5096+0	4950+0	0000	0000	0000										
05	0000	4678-1	4258-1	4757-1	4665-1	4488-1	0000	0000	0000	2799+0	1002+0	3577-1	5404-2	5810+2					
	0000	1672-1	1521-1	1699-1	1675-1	1604-1	0000	0000	0000	1772-1	1631-1	1844-1	1836-1	6975+2					
	0000	1308+0	1190+0	1329+0	1311+0	1255+0	0000	0000	0000										

PROJ RUN GROUP CONF MACH X/D  
0626 0015 0275 0004 2000+0 4958+0

	1	2	3	4	5	6	7	8	9	Po	q	Pinf	Re	To
02	1687+0	1374+0	0000	1345+0	1384+0	1451+0	1575+0	1736+0	1941+0	2202+0	1003+0	3551-1	5409-2	5810+2
	6021-1	4905-1	0000	4809-1	4939-1	5178-1	5621-1	6197-1	6928-1	1772-1	1629-1	1812-1	1838-1	6975+2
	4711+0	3836+0	0000	3763+0	3855+0	4052+0	4398+0	4849+0	5421+0					
03	1847+0	1687+0	1444+0	1562+0	1698+0	1815+0	1956+0	1911+0	1570+0	2802+0	1003+0	3581-1	5409-2	5810+2
	6593-1	6734-1	5153-1	5574-1	6060-1	6479-1	6767-1	6820-1	6576-1	1772-1	1628-1	1842-1	1836-1	6975+2
	5159+0	5269+0	4032+0	4362+0	4742+0	5069+0	5295+0	5337+0	5224+0					
04	1824+0	1814+0	1819+0	1745+0	1829+0	1823+0	0000	0000	0000	2792+0	9993-1	3569-1	5392-2	5810+2
	6532-1	6495-1	6515-1	6249-1	6659-1	6635-1	0000	0000	0000	1775-1	1634-1	1852-1	1838-1	6975+2
	5111+0	5082+0	5098+0	4889+0	5210+0	5191+0	0000	0000	0000					
05	0000	4683-1	4241-1	4761-1	4691-1	4442-1	0000	0000	0000	2792+0	9993-1	3569-1	5392-2	5810+2
	0000	1677-1	1519-1	1705-1	1679-1	1591-1	0000	0000	0000	1772-1	1629-1	1850-1	1844-1	6975+2
	0000	1312+0	1188+0	1334+0	1314+0	1245+0	0000	0000	0000					

PROJ RUN GROUP CONF MACH X/D  
0626 0015 0276 004 2000+0 6948+0

	1	2	3	4	5	6	7	8	9	Po	q	Pinf	Re	To
02	1658+0	1489+0	0000	1455+0	1475+0	1496+0	1582+0	1656+0	1330+0	2795+0	1002+0	3577-1	5404-2	5810+2
	5923-1	5319-1	0000	5199-1	5271-1	5345-1	5553-1	5940-1	6339-1	1770-1	1631-1	1858-1	1844-1	6975+2
	4634+0	4162+0	0000	4058+0	4124+0	4182+0	4308+0	4629+0	5117+0					
03	1867+0	1844+0	1530+0	1627+0	1705+0	1794+0	1882+0	1892+0	1578+0	2792+0	9993-1	3569-1	5392-2	5810+2
	6685-1	6603-1	5481-1	5755-1	6105-1	6426-1	6676-1	6776-1	6726-1	1772-1	1629-1	1859-1	1859-1	6975+2
	5230+0	5167+0	4286+0	4503+0	4777+0	5028+0	5224+0	5302+0	5263+0					
04	1837+0	1821+0	1793+0	1735+0	1833+0	1827+0	0000	0000	0000	2800+0	1002+0	3579-1	5407-2	5810+2
	6561-1	6508-1	6404-1	6198-1	6547-1	6525-1	0000	0000	0000	1773-1	1632-1	1853-1	1839-1	6975+2
	5133+0	5087+0	5010+0	4819+0	5122+0	5105+0	0000	0000	0000					
05	0000	4694-1	4247-1	4766-1	4711-1	4471-1	0000	0000	0000	2799+0	1002+0	3577-1	5397-2	5815+2
	0000	1677-1	1518-1	1703-1	1683-1	1598-1	0000	0000	0000	1770-1	1638-1	1852-1	1845-1	6975+2
	0000	1312+0	1187+0	1332+0	1317+0	1250+0	0000	0000	0000					

7PROJ RUN GROUP CONP MACH X/D  
0626 0015 0277 0004 2000+0 7325+0

	1	2	3	4	5	6	7	8	9	PO	Q	PINF	RE	TO
02	1653+0	1528+0	0000	1491+0	1492+0	1509+0	1555+0	1625+0	1777+0	2732+0	9593-1	2569-1	5385-2	5815+2
	5936-1	5470-1	0000	5339-1	5263-1	5407-1	5565-1	5823-1	6352-1	1773-1	1631-1	1542-1	1845-1	6975+2
	4645+0	4280+0	0000	4178+0	4196+0	4231+0	4356+0	4556+0	4978+0					
03	1663+0	1817+0	1551+0	1615+0	1699+0	1722+0	1847+0	1884+0	1877+0	2794+0	9952-1	3571-1	5368-2	5815+2
	6667-1	6502-1	5552-1	5779-1	6083-1	6378-1	6611-1	6742-1	6681-1	1772-1	1639-1	1558-1	1845-1	6975+2
	5216+0	5088+0	4344+0	4522+0	4759+0	4990+0	5173+0	5275+0	5227+0					
04	1839+0	1826+0	1822+0	1772+0	1855+0	1832+0	0000	0000	0000	2791+0	9957-1	3567-1	5382-2	5815+2
	6588-1	6551-1	6529-1	6345-1	6646-1	6563-1	0000	0000	0000	1773-1	1636-1	1848-1	1839-1	6975+2
	5455+0	5126+0	5109+0	4968+0	5200+0	5135+0	0000	0000	0000					
05	0000	4677-1	4201-1	4755-1	4670-1	4465-1	0000	0000	0000	2799+0	1002+0	3577-1	5397-2	5815+2
	0000	1671-1	1501-1	1699-1	1669-1	1595-1	0000	0000	0000	1770-1	1636-1	1853-1	1847-1	6975+2
	0000	1307+0	1174+0	1329+0	1306+0	1248+0	0000	0000	0000					

7PROJ RUN GROUP CONP MACH X/D  
0626 0015 0278 0004 2950+0 9563-1

	1	2	3	4	5	6	7	8	9	PO	Q	PINF	RE	TO
02	1127+0	1839-1	0000	4114-1	5269-1	5263-1	1104+0	1150+0	1403+0	5954+0	1045+0	1681-1	7056-2	5805+2
	1879-1	3069-2	0000	6865-2	8792-2	1546-1	1843-1	1336-1	2340-1	6703-1	6766-2	7016-2	7047-2	5975+2
	6701+0	1094+0	0000	2447+0	3134+0	5505+0	6568+0	6901+0	8342+0					
03	9016-1	8878-2	1622-1	1105-1	9777-2	9736-2	1157-1	7552-1	1052+0	5965+0	1040+0	1674-1	7023-2	5805+2
	1511-1	1488-2	2719-2	1853-2	1639-2	1632-2	1939-2	1266-1	1763-1	6984-2	7094-2	7322-2	7453-2	6975+2
	5387+0	5305-1	9694-1	6605-1	5842-1	5847-1	6913-1	4512+0	6856+0					
04	8745-1	1000+0	1069+0	1115+0	1539+0	2021+0	0000	0000	0000	5949+0	1038+0	1669-1	7004-2	5805+2
	1469-1	1681-1	1798-1	1875-1	2586-1	3396-1	0000	0000	0000	7031-2	7156-2	7406-2	7516-2	6975+2
	5239+0	5993+0	6409+0	6663+0	9217+0	1210+1	0000	0000	0000					
05	0000	2973-1	2279-1	2251-1	2249-1	2252-1	0000	0000	0000	6022+0	1050+0	1669-1	7089-2	5805+2
	0000	4937-2	3784-2	3739-2	3736-2	3739-2	0000	0000	0000	7047-2	7219-2	7484-2	7688-2	6975+2
	0000	1759+0	1349+0	1333+0	1332+0	1333+0	0000	0000	0000					

PROJ RUN GROUP CONF MACH X/D  
0626 0015 0279 0004 2980+0 1984+0

	1	2	3	4	5	6	7	8	9	Po	q	Pinf	Re	To
02	9913-1	6163-1	0000	1335+0	1795+0	1971+0	1351+0	1039+0	1185+0	6040+0	1053+0	1695-1	7111-2	5805+2
	1641-1	1020-1	0000	2210-1	2972-1	3263-1	2237-1	1721-1	1963-1	5954-2	6203-2	6203-2	6703-2	6975+2
	5850+0	3637+0	0000	7879+0	1059+1	1163+1	7575+0	6133+0	6995+0					
03	1627+0	1919+0	6804-1	9020-1	1443+0	1904+0	1728+0	1551+0	1445+0	6029+0	1051+0	1692-1	7052-2	5805+2
	2699-1	3183-1	1129-1	1496-1	2393-1	3158-1	2865-1	2622-1	2397-1	5703-2	5822-2	5922-2	6438-2	6975+2
	9621+0	1135+1	4023+0	5333+0	8525+0	1126+1	1021+1	9347+0	8544+0					
04	1453+0	1312+0	1174+0	1289+0	1416+0	1614+0	0000	0000	0000	6014+0	1043+0	1687-1	7073-2	5805+2
	2417-1	2182-1	1952-1	2145-1	2355-1	2664-1	0000	0000	0000	5422-2	5578-2	5656-2	6186-2	6975+2
	8614+0	7778+0	6959+0	7646+0	8395+0	9567+0	0000	0000	0000					
05	0000	2951-1	2244-1	2228-1	2218-1	2221-1	0000	0000	0000	5984+0	1044+0	1679-1	7045-2	5805+2
	0000	4999-2	3749-2	3723-2	3707-2	3711-2	0000	0000	0000	5063-2	5188-2	5234-2	5703-2	6975+2
	0000	1782+0	1336+0	1327+0	1321+0	1323+0	0000	0000	0000					

PROJ RUN GROUP CONF MACH X/D  
0626 0015 0280 0004 2980+0 2743+0

	1	2	3	4	5	6	7	8	9	Po	q	Pinf	Re	To
02	1966+0	7973-1	0000	1201+0	1532+0	1856+0	1952+0	1552+0	1162+0	5986+0	1044+0	1675-1	7046-2	5805+2
	3284-1	1332-1	0000	2007-1	2592-1	3117-1	3261-1	2310-1	1942-1	4922-2	4984-2	5078-2	5547-2	6975+2
	1171+1	4748+0	0000	7153+0	9240+0	1111+1	1162+1	1150+1	6921+0					
03	1777+0	1945+0	9014-1	1221+0	1597+0	1849+0	1787+0	1764+0	1735+0	5973+0	1042+0	1676-1	7032-2	5805+2
	2975-1	3256-1	1509-1	2045-1	2674-1	3055-1	2991-1	2354-1	2904-1	4828-2	4938-2	5141-2	5453-2	6975+2
	1060+1	1161+1	5379+0	7288+0	9532+0	1103+1	1066+1	1053+1	1035+1					
04	1668+0	1462+0	1381+0	1535+0	1400+0	1276+0	0000	0000	0000	5978+0	1042+0	1677-1	7037-2	5805+2
	2791-1	2446-1	2309-1	2568-1	2342-1	2137-1	0000	0000	0000	4244-2	5016-2	5047-2	5438-2	6975+2
	9949+0	8719+0	8233+0	9455+0	8348+0	7618+0	0000	0000	0000					
05	0000	2996-1	2251-1	2229-1	2214-1	2218-1	0000	0000	0000	5987+0	1044+0	1679-1	7048-2	5805+2
	0000	5004-2	3760-2	3724-2	3698-2	3704-2	0000	0000	0000	4797-2	4875-2	5031-2	5438-2	6975+2
	0000	1784+0	1340+0	1327+0	1318+0	1320+0	0000	0000	0000					

PRGJ	RUN	GROUP	COMP	MACH	X/D	1	2	3	4	5	6	7	8	9	Po	q	Pinf	Re	To	
0626	0015	0281	0004	2980+0	4958+0															
02	1743+0	1059+0	0000	1162+0	1297+0	1489+0	1672+0	1774+0	1674+0	1674+0	1674+0	1674+0	1674+0	1674+0	5987+0	1044+0	1675-1	7057-2	5800+2	
	2911-1	1818-1	0000	1941-1	2167-1	2487-1	2792-1	2963-1	3131-1	3131-1	3131-1	3131-1	3131-1	3131-1	4781-2	4891-2	5078-2	5359-2	6975+2	6975+2
	1038+1	6482+0	0000	6919+0	7723+0	8864+0	9953+0	1056+1	1116+1	1116+1	1116+1	1116+1	1116+1	1116+1						
03	1831+0	1856+0	1203+0	1418+0	1611+0	1745+0	1785+0	1801+0	1803+0	1803+0	1803+0	1803+0	1803+0	1803+0	5987+0	1044+0	1679-1	7057-2	5800+2	
	3058-1	3100-1	2009-1	2368-1	2691-1	2914-1	2982-1	3005-1	3011-1	3011-1	3011-1	3011-1	3011-1	3011-1	4797-2	4906-2	5063-2	5344-2	6975+2	6975+2
	1090+1	1105+1	7164+0	8440+0	9592+0	1039+1	1063+1	1072+1	1073+1	1073+1	1073+1	1073+1	1073+1	1073+1						
04	1749+0	1669+0	1852+0	1905+0	1948+0	1871+0	0000	0000	0000	0000	0000	0000	0000	0000	5992+0	1045+0	1681-1	7063-2	5800+2	
	2919-1	2785-1	3091-1	3479-1	3251-1	3123-1	0000	0000	0000	0000	0000	0000	0000	0000	4797-2	4922-2	5141-2	5375-2	6975+2	6975+2
	1040+1	9928+0	1102+1	1133+1	1159+1	1113+1	0000	0000	0000	0000	0000	0000	0000	0000						
05	0000	2994-1	2249-1	2236-1	2217-1	2239-1	0000	0000	0000	0000	0000	0000	0000	0000	5987+0	1044+0	1679-1	7057-2	5800+2	
	0000	5001-2	3758-2	3734-2	3703-2	3740-2	0000	0000	0000	0000	0000	0000	0000	0000	4797-2	4844-2	4984-2	5375-2	6975+2	6975+2
	0000	1783+0	1339+0	1331+0	1319+0	1333+0	0000	0000	0000	0000	0000	0000	0000	0000						

PRGJ	RUN	GROUP	COMP	MACH	X/D	1	2	3	4	5	6	7	8	9	Po	q	Pinf	Re	To	
0626	0015	0282	0004	2980+0	6948+0															
02	1631+0	1245+0	0000	1247+0	1306+0	1406+0	1536+0	1673+0	1825+0	1825+0	1825+0	1825+0	1825+0	1825+0	5990+0	1045+0	1681-1	7061-2	5800+2	
	2723-1	2076-1	0000	2082-1	2179-1	2347-1	2564-1	2793-1	3046-1	3046-1	3046-1	3046-1	3046-1	3046-1	4797-2	4905-2	5063-2	5344-2	6975+2	6975+2
	9707+0	7406+0	0000	7421+0	7769+0	8365+0	9140+0	9957+0	1086+1	1086+1	1086+1	1086+1	1086+1	1086+1						
03	1786+0	1832+0	1318+0	1474+0	1624+0	1715+0	1766+0	1785+0	1774+0	1774+0	1774+0	1774+0	1774+0	1774+0	5955+0	1044+0	1680-1	7059-2	5800+2	
	2982-1	3059-1	2200-1	2451-1	2711-1	2864-1	2949-1	2981-1	2963-1	2963-1	2963-1	2963-1	2963-1	2963-1	4797-2	4906-2	5047-2	5355-2	6975+2	6975+2
	1063+1	1091+1	7843+0	8772+0	9664+0	1021+1	1051+1	1063+1	1056+1	1056+1	1056+1	1056+1	1056+1	1056+1						
04	1715+0	1695+0	1833+0	1853+0	1936+0	1872+0	0000	0000	0000	0000	0000	0000	0000	0000	5994+0	1045+0	1681-1	7065-2	5800+2	
	2861-1	2827-1	3058-1	3092-1	3230-1	3124-1	0000	0000	0000	0000	0000	0000	0000	0000	4757-2	4906-2	5047-2	5203-2	6975+2	6975+2
	1029+1	1008+1	1090+1	1102+1	1151+1	1113+1	0000	0000	0000	0000	0000	0000	0000	0000						
05	0000	2991-1	2247-1	2228-1	2223-1	2239-1	0000	0000	0000	0000	0000	0000	0000	0000	5984+0	1044+0	1679-1	7054-2	5800+2	
	0000	4999-2	3754-2	3723-2	3715-2	3742-2	0000	0000	0000	0000	0000	0000	0000	0000	4797-2	4859-2	5047-2	5375-2	6975+2	6975+2
	0000	1782+0	1338+0	1327+0	1324+0	1334+0	0000	0000	0000	0000	0000	0000	0000	0000						

PROJ RUN GROUP CONF MACH X/D  
0626 0015 0283 0004 2980+0 7939+0

	1	2	3	4	5	6	7	8	9	Po	q	Pinf	Re	To
02	1603+0	1306+0	0000	1308+0	1345+0	1421+0	1521+0	1648+0	1789+0	5986+0	1044+0	1679-1	7056-2	5800+2
	2678-1	2182-1	0000	2185-1	2255-1	2373-1	2542-1	2753-1	2959-1	4781-2	4844-2	4969-2	5359-2	6975+2
	9544+0	7777+0	0000	7783+0	8038+0	8459+0	9059+0	9813+0	1065+1					
03	1808+0	1817+0	1369+0	1503+0	1634+0	1716+0	1769+0	1798+0	1783+0	5989+0	1044+0	1680-1	7059-2	5800+2
	3019-1	3034-1	2286-1	2510-1	2722-1	2865-1	2954-1	3002-1	2977-1	4813-2	4844-2	5078-2	5344-2	6975+2
	1076+1	1084+1	8149+0	8948+0	9723+0	1021+1	1053+1	1069+1	1061+1					
04	1739+0	1746+0	1871+0	1859+0	1907+0	1906+0	0000	0000	0000	5986+0	1044+0	1679-1	7056-2	5800+2
	2906-1	2917-1	3125-1	3105-1	3187-1	3183-1	0000	0000	0000	4750-2	4844-2	5078-2	5344-2	6975+2
	1036+1	1039+1	1114+1	1107+1	1136+1	1135+1	0000	0000	0000					
05	0000	2985-1	2236-1	2228-1	2223-1	2219-1	0000	0000	0000	5984+0	1044+0	1679-1	7054-2	5800+2
	0000	4985-2	3737-2	3723-2	3715-2	3709-2	0000	0000	0000	4797-2	4828-2	5063-2	5359-2	6975+2
	0000	1778+0	1332+0	1327+0	1324+0	1322+0	0000	0000	0000					

PROJ RUN GROUP CONF MACH X/D  
0626 0015 0284 0004 3000+0 9963-1

	1	2	3	4	5	6	7	8	9	Po	q	Pinf	Re	To
02	7169+0	6575-1	0000	2338+0	5843+0	6625+0	7157+0	8027+0	1012+1	4317+1	7405+0	1175+0	5017-1	5215+2
	1661-1	1523-2	0000	5416-2	1353-1	1534-1	1652-1	1859-1	2345-1	4834-1	4225-1	4816-1	4575-1	6975+2
	6099+0	5594-1	0000	1989+0	4971+0	5637+0	6089+0	6829+0	8624+0					
03	6512+0	8007-1	6624-1	6434-1	6675-1	7196-1	9931-1	2137+0	7629+0	4325+1	7418+0	1177+0	5032-1	5810+2
	1506-1	1851-2	1531-2	1488-2	1543-2	1664-2	2296-2	4940-2	1764-1	4869-1	4224-1	4924-1	4591-1	6975+2
	5531+0	6800-1	5626-1	5465-1	5669-1	6112-1	8434-1	1815+0	6475+0					
04	7286+0	7352+0	6156+0	8858+0	1206+1	1433+1	0000	0000	0000	4341+1	7445+0	1182+0	5050-1	5610+2
	1679-1	1694-1	1419-1	2041-1	2777-1	3302-1	0000	0000	0000	4867-1	4197-1	4631-1	4597-1	6975+2
	6168+0	6222+0	5209+0	7496+0	1020+1	1213+1	0000	0000	0000					
05	0000	2019+0	6156+0	1370+0	1572+0	1484+0	0000	0000	0000	4359+1	7476+0	1187+0	5071-1	5810+2
	0000	4633-2	1412-1	3143-2	3606-2	3405-2	0000	0000	0000	4886-1	4264-1	4852-1	4616-1	6975+2
	0000	1702+0	5188+0	1155+0	1325+0	1251+0	0000	0000	0000					

PROJ RUN GROUP CONF MACH X/D  
0626 0015 0285 0004 3000+0 1984+0

	1	2	3	4	5	6	7	8	9	Po	q	Pinf	Re	To
02	6479+0	4521+0	0000	9884+0	1209+1	1316+1	7325+0	7479+0	8604+0	4391+1	7531+0	1195+0	5102-1	5815+2
	1476-1	1029-1	0000	2206-1	2754-1	2996-1	1668-1	1703-1	1959-1	2286-1	2489-1	3038-1	2819-1	6975+2
	5421+0	3782+0	0000	8102+0	1011+1	1101+1	6128+0	6257+0	7198+0					6975+2
03	1018+1	1299+1	4138+0	4749+0	7692+0	1340+1	1309+1	1192+1	1688+1	4373+1	7499+0	1190+0	5081-1	5815+2
	2329-1	2972-1	9464-2	1086-1	1759-1	3065-1	2994-1	2727-1	2488-1	2863-1	2422-1	3009-1	2741-1	6975+2
	8555+0	1092+1	3476+0	3990+0	6461+0	1126+1	1099+1	1002+1	9138+0					6975+2
04	1009+1	9592+0	1879+1	9292+0	1004+1	1135+1	0000	0000	0000	4379+1	7512+0	1192+0	5089-1	5815+2
	2306-1	2190-1	4292-1	2122-1	2293-1	2591-1	0000	0000	0000	2842-1	2408-1	3003-1	2727-1	6975+2
	8469+0	8045+0	1377+1	7793+0	8424+0	9519+0	0000	0000	0000					6975+2
05	0000	2042+0	1879+1	1383+0	1560+0	1494+0	0000	0000	0000	4393+1	7535+0	1196+0	5105-1	5815+2
	0000	4648-2	4279-1	3147-2	3597-2	3402-2	0000	0000	0000	2856-1	2403-1	2994-1	2705-1	6975+2
	0000	1707+0	1572+1	1156+0	1321+0	1249+0	0000	0000	0000					6975+2

PROJ RUN GROUP CONF MACH X/D  
0626 0015 0286 0004 3000+0 2739+0

	1	2	3	4	5	6	7	8	9	Po	q	Pinf	Re	To
02	1375+1	5473+0	0000	8438+0	1059+1	1267+1	1365+1	1420+1	8438+0	4374+1	7502+0	1191+0	5083-1	5815+2
	3144-1	1251-1	0000	1543-1	2422-1	2896-1	3129-1	3247-1	1929-1	2836-1	2406-1	3005-1	2705-1	6975+2
	1159+1	4596+0	0000	7136+0	8897+0	1064+1	1149+1	1193+1	7086+0					6975+2
03	1226+1	1339+1	1879+1	7511+0	1056+1	1349+1	1332+1	1309+1	1258+1	4351+1	7515+0	1193+0	5091-1	5815+2
	2797-1	3058-1	1830-1	1723-1	2411-1	3078-1	3041-1	2387-1	2871-1	2847-1	2397-1	2995-1	2700-1	6975+2
	1027+1	1123+1	1378+1	6549+0	8855+0	1131+1	1117+1	1097+1	1055+1					6975+2
04	1219+1	1201+1	1879+1	1082+1	9918+0	1063+1	0000	0000	0000	4379+1	7512+0	1192+0	5089-1	5815+2
	2784-1	2741-1	1830-1	2471-1	2264-1	2427-1	0000	0000	0000	2853-1	2394-1	2989-1	2694-1	6975+2
	1023+1	1007+1	1378+1	9077+0	8318+0	8913+0	0000	0000	0000					6975+2
05	0000	2038+0	1879+1	1379+0	1578+0	1485+0	0000	0000	0000	4372+1	7498+0	1190+0	5074-1	5820+2
	0000	4662-2	1830-1	3453-2	3609-2	3397-2	0000	0000	0000	2809-1	2381-1	2991-1	2706-1	6975+2
	0000	1712+0	1879+1	1158+0	1326+0	1248+0	0000	0000	0000					6975+2

PROJ	RUN	GROUP	COMP	MACH	X/D	1	2	3	4	5	6	7	8	9	Po	q	Pinf	Pe	To	
0626	0015	02E7	0004	3000+0	495+00															
02	1113+1	7382+0	0000	7965+0	2715+0	9813+0	1137+1	1273+1	1373+1	1373+1	1273+1	1137+1	1373+1	1373+1	4357+1	7490+0	1185+0	5059-1	5820+2	
	2549-1	1692-1	0000	1824-1	1597-1	2249-1	2603-1	2929-1	3144-1	3144-1	2603-1	2929-1	3144-1	3144-1	2841-1	2391-1	2983-1	2699-1	6975+2	
	9364+0	6215+0	0000	6659+0	7334+0	8259+0	9562+0	1076+1	1155+1	1155+1	9562+0	1076+1	1155+1	1155+1						
03	1306+1	1299+1		9999+0	1165+1	1287+1	1312+1	1315+1	1305+1	1305+1	1312+1	1315+1	1315+1	1305+1	4351+1	7479+0	1187+0	5061-1	5820+2	
	2994-1	2975-1		2293-1	2673-1	2951-1	3008-1	3018-1	2992-1	2992-1	3008-1	3018-1	2992-1	2992-1	2833-1	2395-1	2897-1	2699-1	6975+2	
	1099+1	1093+1		5423+0	9817+0	1084+1	1105+1	1109+1	1099+1	1099+1	1105+1	1109+1	1109+1	1099+1						
04	1328+1	1317+1		1347+1	1383+1	1339+1	0000	0000	0000	0000	0000	0000	0000	0000	4361+1	7479+0	1187+0	5061-1	5820+2	
	3046-1	3019-1		3085-1	3171-1	3071-1	0000	0000	0000	0000	0000	0000	0000	0000	2831-1	2375-1	2434-1	2692-1	6975+2	
	1119+1	1109+1		1135+1	1165+1	1126+1	0000	0000	0000	0000	0000	0000	0000	0000						
05	0000	2036+0		1376+0	1573+0	1466+0	0000	0000	0000	0000	0000	0000	0000	0000	4363+1	7484+0	1188+0	5064-1	5820+2	
	0000	4665-2		3154-2	3606-2	3361-2	0000	0000	0000	0000	0000	0000	0000	0000	2822-1	2388-1	2434-1	2695-1	6975+2	
	0000	1714+0		1159+0	1324+0	1234+0	0000	0000	0000	0000	0000	0000	0000	0000						
PROJ	RUN	GROUP	COMP	MACH	X/D															
0626	0015	02E8	0004	3000+0	6948+0															
02	1013+1	8631+0	0000	8524+0	8741+0	9184+0	9592+0	1138+1	1313+1	1313+1	9592+0	1138+1	1313+1	1313+1	4354+1	7468+0	1185+0	5053-1	5820+2	
	2327-1	1922-1	0000	1955-1	2007-1	2109-1	2295-1	2614-2	3015-1	3015-1	2295-1	2614-2	3015-1	3015-1	2827-1	2386-1	2984-1	2699-1	6975+2	
	8549+0	7261+0	0000	7423+0	7374+0	7746+0	8429+0	9601+0	1108+1	1108+1	8429+0	9601+0	1108+1	1108+1						
03	1311+1	1283+1	9657+0	1093+1	+215+1	1275+1	1303+1	1311+1	1302+1	1302+1	1275+1	1303+1	1311+1	1302+1	4355+1	7469+0	1186+0	5054-1	5820+2	
	3010-1	2947-1	2217-1	2511-1	2789-1	2927-1	2992-1	3011-1	2989-1	2989-1	2927-1	2992-1	3011-1	2989-1	2819-1	2373-1	2972-1	2654-1	6975+2	
	1106+1	1083+1	8145+0	9223+0	1025+1	1075+1	1099+1	1106+1	1098+1	1098+1	1075+1	1099+1	1106+1	1098+1						
04	1309+1	1276+1	1332+1	1322+1	1364+1	1349+1	0000	0000	0000	0000	0000	0000	0000	0000	4345+1	7453+0	1183+0	5043-1	5820+2	
	3015-1	2936-1	3066-1	3043-1	3138-1	3103-1	0000	0000	0000	0000	0000	0000	0000	0000	2822-1	2375-1	2972-1	2691-1	6975+2	
	1107+1	1079+1	1126+1	1112+1	1153+1	1139+1	0000	0000	0000	0000	0000	0000	0000	0000						
05	0000	2022+0	1491+0	1369+0	1563+0	1467+0	0000	0000	0000	0000	0000	0000	0000	0000	4338+1	7439+0	1181+0	5034-1	5820+2	
	0000	4661-2	3438-2	3155-2	3604-2	3382-2	0000	0000	0000	0000	0000	0000	0000	0000	2822-1	2381-1	2975-1	2691-1	6975+2	
	0000	1712+0	1263+0	1159+0	1324+0	1242+0	0000	0000	0000	0000	0000	0000	0000	0000						



PROJ RUN GROUP CONF NAME X/D  
 0626 0015 0289 0004 3000+C 7939+C

	1	2	3	4	5	6	7	8	9	Po	q	Pinf	Re	To
02	9909+C	9976+C	0000	9745+0	8841+0	9008+C	5933+C	4073+1	1222+1	4315+1	7401+C	1175+C	5014-1	5815+2
	2296-1	2050-1	0000	2027-1	2049-1	2088-1	2223-1	2501-1	2972-1	2757-1	2358-1	2450-1	2695-1	5975+2
	8435+0	7411+C	0000	7445+0	7528+0	7669+C	8166+0	9185+C	1052+1					
03	1302+1	1255+1	9893+C	1102+1	1205+1	1252+1	1284+1	1293+1	1299+1	4320+1	7410+C	1176+C	5020-1	5815+2
	3012-1	2915-1	2289-1	2549-1	2789-1	2899-1	2971-1	2985-1	2982-1	2792-1	2358-1	2959-1	2682-1	6975+2
	1107+1	1071+1	8407+C	9365+0	1024+1	1065+1	1091+1	1097+1	1096+1					
04	1295+1	1277+1	1328+1	1318+1	1345+1	1298+1	0000	0000	0000	4317+1	7405+0	1175+C	5017-1	5815+2
	3001-1	2958-1	3062-1	3053-1	3115-1	3007-1	0000	0000	0000	2814-1	2358-1	2842-1	2691-1	6975+2
	1102+1	1056+1	1125+1	1121+1	1144+1	1105+1	0000	0000	0000					
05	0000	2021+C	1424+C	1364+0	1563+0	1463+C	0000	0000	0000	4324+1	7411+C	1176+C	5021-1	5815+2
	0000	4677-2	3435-2	3156-2	3618-2	3385-2	0000	0000	0000	2809-1	2377-1	2963-1	2695-1	6975+2
	0000	1718+0	1262+0	1159+0	1329+0	1243+0	0000	0000	0000					

PROJ RUN GROUP CONF NAME X/D  
 0626 0016 0290 0004 4030+C 1004+0

	1	2	3	4	5	6	7	8	9	Po	q	Pinf	Re	To
02	3336+0	1857+0	0000	1281+0	1509+0	2247+0	3376+C	4707+0	7771+0	7341+1	5281+0	4646-1	4977-1	5815+2
	4545-2	2529-2	0000	1746-2	2056-2	3082-2	4599-2	6412-2	1059-1	5328-2	5797-2	5094-2	5016-2	6975+2
	7181+0	3999+0	0000	2758+0	3242+0	4838+0	7268+0	1013+1	1673+1					
03	3315+0	3357+0	1851+0	8057-1	4886-1	1601+0	4306+0	4734+0	3637+0	7334+1	5276+0	4641-1	4966-1	5820+2
	4519-2	4577-2	2525-2	1099-2	6662-3	2183-2	5872-2	6455-2	4959-2	5109-2	5641-2	5063-2	5094-2	6975+2
	7142+0	7232+0	3989+0	1736+0	1053+0	3449+0	9279+0	1019+1	7836+0					
04	3416+0	3747+0	4541+0	7002+0	1090+1	1116+1	0000	0000	0000	7322+1	5268+0	4634-1	4958-1	5820+2
	4665-2	5117-2	6202-2	9564-2	1489-1	1524-1	0000	0000	0000	5047-2	5766-2	5156-2	5094-2	6975+2
	7372+0	8086+0	9799+0	1511+1	2353+1	2408+1	0000	0000	0000					
05	0000	1134+0	7065-1	5925-1	6691-1	6644-1	0000	0000	0000	7308+1	5258+0	4625-1	4943-1	5825+2
	0000	1558-2	9668-3	8107-3	9156-3	9092-3	0000	0000	0000	5359-2	5719-2	5125-2	5078-2	6975+2
	0000	2452+0	1528+0	1281+0	1447+0	1437+0	0000	0000	0000					

PROJ RUN GROUP CORP MACH X/D  
 0626 0016 0291 0004 4030+0 1991+0

1	2	3	4	5	6	7	8	9	q	Pinf	Re	To	
02	4350+0	2864+0	0000	3076+0	5246+0	4411+0	4989+0	6199+0	7301+1	5253+0	4620-1	4950-1	5815+2
	5958-2	3923-2	0000	4213-2	7186-2	6042-2	6834-2	8491-2	5094-2	5672-2	5063-2	5047-2	6975+2
	9415+0	6198+0	0000	6658+0	1471+1	1135+1	9547+0	1342+1					

03	4848+0	8122+0	3057+0	3352+0	6472+0	7972+0	7292+0	5266+0	7303+1	5254+0	4622-1	4939-1	5810+2
	6638-2	1112-1	4186-2	4589-2	8663-2	1205-1	1092-1	7211-2	5203-2	5686-2	5047-2	5076-2	6975+2
	1049+1	1757+1	6611+0	7252+0	1400+1	1904+1	1725+1	1139+1					

04	5079+0	5393+0	5549+0	6132+0	7753+0	8361+0	0000	0000	7308+1	5258+0	4625-1	4962-1	5810+2
	6951-2	7380-2	7594-2	8391-2	1061-1	1144-1	0000	0000	5250-2	5625-2	5078-2	5031-2	6975+2
	1098+1	1166+1	1199+1	1326+1	1676+1	1808+1	0000	0000					

05	0000	1126+0	7049-1	5934-1	6729-1	6652-1	0000	0000	7315+1	5263+0	4629-1	4960-1	5815+2
	0000	1539-2	9637-3	8112-3	9199-3	9094-3	0000	0000	5000-2	5672-2	5047-2	5016-2	6975+2
	0000	2432+0	1523+0	1282+0	1454+0	1437+0	0000	0000					

PROJ RUN GROUP CORP MACH X/D  
 0626 0016 0292 0004 4030+0 2758+0

1	2	3	4	5	6	7	8	9	q	Pinf	Re	To	
02	9345+0	3249+0	0000	3174+0	5794+0	9389+0	5017+0	5867+0	7331+1	5275+0	4639-1	4965-1	5820+2
	1275-1	4432-2	0000	4329-2	7903-2	1211-1	1251-1	6543-2	5203-2	5688-2	5094-2	5000-2	6975+2
	2014+1	7003+0	0000	6841+0	1249+1	1913+1	2024+1	1081+1	1265+1				

03	7377+0	9295+0	4137+0	5825+0	9129+0	9443+0	7953+0	7886+0	7331+1	5275+0	4639-1	4965-1	5820+2
	1006-1	1268-1	5643-2	7946-2	1245-1	1288-1	1235-1	1095-1	5281-2	5656-2	5125-2	4984-2	6975+2
	1590+1	2004+1	8916+0	1256+1	1968+1	2035+1	1951+1	1714+1					

04	8027+0	6346+0	6164+0	6762+0	7189+0	7473+0	0000	0000	7322+1	5268+0	4634-1	4958-1	5820+2
	1096-1	6667-2	8116-2	9235-2	9818-2	1021-1	0000	0000	5234-2	5625-2	5078-2	5000-2	6975+2
	1732+1	1369+1	1335+1	1459+1	1551+1	1613+1	0000	0000					

05	0000	1123+0	7043-1	5940-1	6703-1	6613-1	0000	0000	7308+1	5258+0	4625-1	4943-1	5825+2
	0000	1537-2	9638-3	8128-3	9173-3	9049-3	0000	0000	5172-2	5578-2	5063-2	5016-2	6975+2
	0000	2429+0	1523+0	1284+0	1449+0	1429+0	0000	0000					

PROJ	RUN	GROUP	CONF	MADE	X/D	1	2	3	4	5	6	7	8	9	PO	Q	FINF	RE	TO	
0626	0016	0293	0004	4030+0	4965+0															
02	8857+0	5698+0	0000	4448+0	4190+0	5742+0	8323+0	5603+0	1000+1	7306+1	5256+0	4623-1	4935-1	5830+2						
	1212-1	7799-2	0000	6089-2	5736-2	7859-2	1139-1	1314-1	1369-1	5203-2	5594-2	5109-2	4936-2	6975+2						
	1916+1	1233+1	0000	9621+0	9063+0	1242+1	1800+1	2077+1	2164+1											
03	9037+0	9166+0	7402+0	8759+0	9246+0	9039+0	8811+0	9059+0	9395+0	7308+1	5258+0	4625-1	4936-1	5830+2						
	1237-1	1254-1	1013-1	1199-1	1265-1	1237-1	1206-1	1244-1	1286-1	5234-2	5703-2	5156-2	5000-2	6975+2						
	1954+1	1982+1	1600+1	1894+1	1999+1	1954+1	1905+1	1965+1	2031+1											
04	9334+0	9252+0	9783+0	9884+0	7446+0	7291+0	0000	0000	0000	7308+1	5258+0	4625-1	4936-1	5830+2						
	1277-1	1266-1	1339-1	1353-1	1019-1	9977-2	0000	0000	0000	5141-2	5578-2	5141-2	4938-2	6975+2						
	2018+1	2001+1	2115+1	2137+1	1610+1	1576+1	0000	0000	0000											
05	0000	1121+0	7049-1	5957-1	6761-1	6590-1	0000	0000	0000	7319+1	5266+0	4632-1	4944-1	5830+2						
	0000	1531-2	9631-3	8139-3	9236-3	9003-3	0000	0000	0000	5328-2	5719-2	5109-2	5016-2	6975+2						
	0000	2419+0	1522+0	1286+0	1459+0	1423+0	0000	0000	0000											
PROJ	RUN	GROUP	CONF	MADE	X/D															
0626	0016	0294	0004	4030+0	6955+0															
02	7268+0	7237+0	0000	6224+0	5585+0	5351+0	6473+0	6501+0	9751+0	7329+1	5273+0	4638-1	4950-1	5830+2						
	9945-2	9875-2	0000	8492-2	7621-2	7302-2	8832-2	1159-1	1330-1	5219-2	5656-2	5219-2	4953-2	6975+2						
	1571+1	1560+1	0000	1342+1	1204+1	1154+1	1396+1	1233+1	2102+1											
03	9294+0	9088+0	8573+0	8915+0	9094+0	8966+0	9167+0	9409+0	9355+0	7317+1	5255+0	4631-1	4942-1	5830+2						
	1265-1	1242-1	1444-1	1218-1	1243-1	1225-1	1253-1	1286-1	1275-1	5172-2	5556-2	5156-2	5000-2	6975+2						
	1998+1	1963+1	1602+1	1925+1	1964+1	1936+1	1979+1	2032+1	2021+1											
04	9345+0	9229+0	9624+0	9783+0	9480+0	9343+0	0000	0000	0000	7308+1	5258+0	4625-1	4936-1	5830+2						
	1279-1	1263-1	1317-1	1339-1	1297-1	1278-1	0000	0000	0000	5186-2	5719-2	5141-2	4906-2	6975+2						
	2021+1	1996+1	2061+1	2115+1	2049+1	2020+1	0000	0000	0000											
05	0000	1125+0	7042-1	5942-1	6699-1	6652-1	0000	0000	0000	7319+1	5266+0	4632-1	4944-1	5830+2						
	0000	1537-2	9621-3	8118-3	9152-3	9028-3	0000	0000	0000	5078-2	5719-2	5188-2	5000-2	6975+2						
	0000	2428+0	1520+0	1283+0	1446+0	1436+0	0000	0000	0000											

PROJ RUN GROUP CONF NACH X/D  
0626 0016 0295 0004 4030+0 7946+0

	1	2	3	4	5	6	7	8	9	Po	q	Pinf	Re	To
02	6064+0	7575+0	0000	6693+0	6159+0	5697+0	6171+0	7701+0	9613+0	7315+1	5263+0	4629-1	4941-1	5830+2
	8289-2	1036-1	0000	9150-2	8419-2	7789-2	8436-2	1053-1	1314-1	5156-2	5578-2	5141-2	4953-2	6975+2
	1309+1	1636+1	0000	1446+1	1330+1	1231+1	1333+1	1663+1	2076+1					
03	9458+0	8978+0	8437+0	8788+0	8935+0	8938+0	9204+0	9271+0	9154+0	7301+1	5253+0	4620-1	4931-1	5830+2
	1254-1	1229-1	1156-1	1204-1	1224-1	1224-1	1261-1	1269-1	1253-1	5250-2	5756-2	5109-2	5000-2	6975+2
	1982+1	1943+1	1826+1	1902+1	1934+1	1935+1	1992+1	2007+1	1985+1					
04	9177+0	9161+0	9507+0	9589+0	9321+0	9200+0	0000	0000	0000	7306+1	5256+0	4623-1	4935-1	5830+2
	1256-1	1254-1	1301-1	1313-1	1276-1	1259-1	0000	0000	0000	5063-2	5556-2	5125-2	4969-2	6975+2
	1985+1	1981+1	2056+1	2074+1	2016+1	1989+1	0000	0000	0000					
05	0000	1133+0	7027-1	5934-1	6706-1	6621-1	0000	0000	0000	7303+1	5254+0	4622-1	4933-1	5830+2
	0000	1551-2	9621-3	8125-3	9183-3	9066-3	0000	0000	0000	5219-2	5688-2	5078-2	4969-2	6975+2
	0000	2451+0	1520+0	1284+0	1451+0	1433+0	0000	0000	0000					

PROJ RUN GROUP CONF NACH X/D  
0626 0016 0296 0004 3950+0 1000+0

	1	2	3	4	5	6	7	8	9	Po	q	Pinf	Re	To
02	7654-1	1707-1	0000	2997-1	3169-1	4117-1	7614-1	9219-1	1462+0	1392+1	1028+0	9227-2	9755-2	5740+2
	5537-2	1235-2	0000	2168-2	2293-2	2978-2	5508-2	6659-2	1052-1	3094-2	3469-2	3219-2	2891-2	6975+2
	8295+0	1850+0	0000	3248+0	3436+0	4462+0	8252+0	9992+0	1585+1					
03	6363-1	4509-2	1275-1	7437-2	4981-2	4432-2	4807-2	4915-1	8479-1	1355+1	1008+0	9044-2	9575-2	5735+2
	4696-2	3327-3	9408-3	5488-3	3676-3	3271-3	3547-3	3627-2	6255-2	3016-2	3359-2	3156-2	2594-2	6975+2
	7036+0	4985-1	1409+0	8223-1	5508-1	4901-1	5315-1	5435+0	9376+0					
04	6005-1	7855-1	8696-1	1122+0	2008+0	2157+0	0000	0000	0000	1373+1	1021+0	9164-2	9715-2	5730+2
	4374-2	5721-2	6334-2	8175-2	1463-1	1571-1	0000	0000	0000	2984-2	3391-2	3141-2	2719-2	6975+2
	6553+0	8571+0	9489+0	1225+1	2491+1	2354+1	0000	0000	0000					
05	0000	2233-1	1393-1	1305-1	1279-1	1268-1	0000	0000	0000	1385+1	1031+0	9248-2	9777-2	5740+2
	0000	1611-2	1005-2	9419-3	9234-3	9148-3	0000	0000	0000	3000-2	3313-2	3219-2	2641-2	6975+2
	0000	2414+0	1506+0	1411+0	1383+0	1371+0	0000	0000	0000					

PROJ RUN GROUP CONF PAGE X/D  
0626 0016 0297 0004 3950+0 1991+0

1	2	3	4	5	6	7	8	9	Po	q	PINF	Re	To	
02	8621-1	5141-1	0000	9852-1	1467+0	8509-1	8432-1	9491-1	1173+0	1388+1	1032+0	9263-2	9705-2	5775+2
	6212-2	3705-2	0000	7099-2	1057-1	6131-2	6075-2	6833-2	8452-2	2297-2	2641-2	2438-2	2063-2	6975+2
	9307+0	5550+0	0000	1064+1	1583+1	9186+0	9102+0	1025+1	1256+1					
03	9372-1	1454+0	6330-1	4999-1	6180-1	1199+0	1258+0	1215+0	1256+0	1389+1	1033+0	9268-2	9685-2	5755+2
	6749-2	1047-1	4552-2	3601-2	4451-2	8633-2	9062-2	9753-2	9045-2	2109-2	2547-2	2281-2	1969-2	6975+2
	1011+1	1568+1	6825+0	5395+0	6668+0	1294+1	1358+1	1311+1	1355+1					
04	1055+0	9647-1	9134-1	1265+0	1479+0	1646+0	0000	0000	0000	1387+1	1032+0	9258-2	9662-2	5730+2
	7604-2	6955-2	6585-2	9120-2	1066-1	1187-1	0000	0000	0000	2047-2	2391-2	2219-2	1813-2	6975+2
	1139+1	1042+1	9866+0	1366+1	1598+1	1778+1	0000	0000	0000					
05	0000	2215-1	1394-1	1300-1	1262-1	1252-1	0000	0000	0000	1385+1	1029+0	9242-2	9559-2	5825+2
	0000	1599-2	1007-2	9390-3	9416-3	9041-3	0000	0000	0000	1875-2	2215-2	1984-2	1531-2	6975+2
	0000	2397+0	1509+0	1407+0	1366+0	1355+0	0000	0000	0000					

PROJ RUN: GROUP CONF PAGE X/D  
0626 0016 0298 0004 3950+0 2750+0

1	2	3	4	5	6	7	8	9	Po	q	PINF	Re	To
02	1765+0	6521-1	0000	1136+0	1731+0	1774+0	9424-1	1054+0	1373+1	1021+0	5164-2	9478-2	5825+2
	1286-1	4749-2	0000	8277-1	1110-1	1261-1	1292-1	7957-2	1753-2	2109-2	1906-2	1344-2	6975+2
	1926+1	7115+0	0000	1240+1	1664+1	1936+1	1028+1	1194+1					
03	1213+0	1535+0	7397-1	7714-1	9909-1	1316+0	1488+0	1486+0	1371+1	1020+0	9154-2	9467-2	5825+2
	8842-2	1119-1	5393-2	5625+2	7225-2	9599-2	1085-1	1083-1	1750-2	2125-2	1906-2	1375-2	6975+2
	1325+1	1677+1	8080+0	2427+0	1082+1	1438+1	1626+1	1481+1					
04	1272+0	1228+0	1253+0	1295+0	1379+0	1424+0	0000	0000	1371+1	1019+0	9148-2	9449-2	5830+2
	9282-2	8961-2	9144-2	9445-2	1006-1	1039-1	0000	0000	1672-2	2000-2	1797-2	1359-2	6975+2
	1391+1	1343+1	1369+1	1415+1	1508+1	1556+1	0000	0000					
05	0000	2198-1	1400-1	1282-1	1253-1	1243-1	0000	0000	1378+1	1025+0	9201-2	9503-2	5830+2
	0000	1595-2	1016-2	9297-3	9090-3	9015-3	0000	0000	1672-2	2000-2	1813-2	1359-2	6975+2
	0000	2389+0	1522+0	1393+0	1362+0	1351+0	0000	0000					

PROJ RUN GROUP CONF MACH X/D  
0626 0016 C299 0004 399040 455140

	1	2	3	4	5	6	7	8	9	Po	q	Pinf	Re	To
02	1764+0	9044-1	0000	1161+0	1368+0	1573+0	1713+0	1835+0	1824+0	1352+1	1035+0	9259-2	9583-2	5935+2
	1267-1	6498-2	0000	8345-2	9826-2	1132-1	1234-1	1318-1	1361-1	1609-2	1922-2	1291-2	1328-2	6975+2
	1899+1	9736+0	0000	1250+1	1472+1	1693+1	1849+1	1975+1	2039+1					
03	1661+0	1569+0	9711-1	1099+0	1253+0	1435+0	1602+0	1728+0	1691+0	1391+1	1035+0	9284-2	9577-2	5935+2
	1187-1	1128-1	6981-2	7907-2	9009-2	1031-1	1152-1	1243-1	1216-1	1594-2	1984-2	1813-2	1297-2	6975+2
	1779+1	1691+1	1046+1	1185+1	1349+1	1545+1	1726+1	1862+1	1822+1					
04	1662+0	1871+0	1899+0	1862+0	1573+0	1479+0	0000	0000	0000	1392+1	1035+0	9289-2	9570-2	5840+2
	1194-1	1344-1	1365-1	1338-1	1130-1	1063-1	0000	0000	0000	1594-2	2000-2	1828-2	1313-2	6975+2
	1789+1	2014+1	2045+1	2005+1	1694+1	1592+1	0000	0000	0000					
05	0000	2236-1	1425-1	1300-1	1259-1	1249-1	0000	0000	0000	1394+1	1037+0	9305-2	9586-2	5840+2
	0000	1604-2	1022-2	9327-3	9033-3	5958-3	0000	0000	0000	1609-2	2000-2	1513-2	1344-2	6975+2
	0000	2403+0	1531+0	1397+0	1353+0	1342+0	0000	0000	0000					

PROJ RUN GROUP CONF MACH X/D  
0626 0016 0300 0004 399040 6955+0

	1	2	3	4	5	6	7	8	9	Po	q	Pinf	Re	To
02	1604+0	1033+0	0000	1159+0	1227+0	1432+0	1581+0	1726+0	1632+0	1392+1	1035+0	9289-2	9570-2	5840+2
	1153-1	7422-2	0000	8334-2	9248-2	1029-1	1136-1	1241-1	1315-1	1578-2	1969-2	1813-2	1297-2	6975+2
	1727+1	1112+1	0000	1249+1	1386+1	1542+1	1702+1	1859+1	1972+1					
03	1712+0	1572+0	1096+0	1193+0	1312+0	1455+0	1604+0	1702+0	1669+0	1393+1	1036+0	9295-2	9576-2	5840+2
	1229-1	1129-1	7869-2	8564-2	9421-2	1045-1	1149-1	1222-1	1192-1	1594-2	1953-2	1906-2	1297-2	6975+2
	1842+1	1691+1	1179+1	1283+1	1411+1	1565+1	1723+1	1831+1	1795+1					
04	1710+0	1546+0	1851+0	1869+0	1822+0	1815+0	0000	0000	0000	1382+1	1026+0	9227-2	9506-2	5840+2
	1237-1	1336-1	1339-1	1352-1	1322-1	1313-1	0000	0000	0000	1641-2	1984-2	1828-2	1281-2	6975+2
	1854+1	2001+1	2007+1	2025+1	1981+1	1967+1	0000	0000	0000					
05	0000	2203-1	1397-1	1278-1	1238-1	1247-1	0000	0000	0000	1359+1	1011+0	9070-2	9345-2	5840+2
	0000	1621-2	1028-2	9408-3	9107-3	9178-3	0000	0000	0000	1578-2	1984-2	1828-2	1297-2	6975+2
	0000	2429+0	1540+0	1409+0	1364+0	1375+0	0000	0000	0000					

PROJ RUN GROUP COMP EACH X/D  
 002E 0016 0302 0004 3922+0 7346+0

1	2	3	4	5	6	7	8	9	Pa	q	Pinf	Pe	To
02	1529+0	1059+0	0000	1154+0	1233+0	157+0	155+0	152+0	1322+1	1025+0	9222-2	9500-2	5842+2
	1107-1	7741-2	0000	8356-2	9069-2	9967-2	1089-1	1196-1	1322-1	2000-2	1821-2	1266-2	6975+2
	1659+1	1159+1	0000	1252+1	1359+1	1493+1	1532+1	1732+1	1552+1				

03	1723+0	1569+0	1135+0	1222+0	1333+0	1461+0	1523+0	1679+0	1656+0	1035+0	9284-2	9565-2	5842+2
	1238-1	1128-1	9155-2	8786-2	9582-2	1050-1	1145-1	1207-1	1190-1	2015-2	1822-2	1281-2	6975+2
	1855+1	1629+1	1223+1	1316+1	1436+1	1574+1	1716+1	1908+1	1763+1				
04	1740+0	1849+0	1845+0	1852+0	1822+0	1811+0	0000	0000	0000	1035+0	9310-2	9592-2	5842+2
	1248-1	1325-1	1323-1	1327-1	1306-1	1292-1	0000	0000	0000	1932-2	1822-2	1182-2	6975+2
	1869+1	1966+1	1982+1	1989+1	1957+1	1945+1	0000	0000	0000				

05	0000	2205-1	1406-1	1289-1	1258-1	1245-1	0000	0000	0000	1027+0	9216-2	9519-2	5832+2
	0000	1597-2	1019-2	9339-3	9109-3	9022-3	0000	0000	0000	1609-2	1906-2	1297-2	6975+2
	0000	2392+0	1526+0	1399+0	1365+0	1352+0	0000	0000	0000				

PROJ RUN GROUP COMP EACH X/D  
 062E 0016 0302 0004 5000+0 1004+0

1	2	3	4	5	6	7	8	9	Pa	q	Pinf	Pe	To
02	3331-1	4742-2	0000	5550-2	7512-2	1613-1	2569-1	3222-1	1722+0	1037+0	5222-2	4322-1	5795+2
	1062-2	1512-3	0000	1769-3	2397-3	5142-3	8128-3	1029-2	5489-2	5031-2	4984-2	3359-2	6975+2
	5619+0	7999-1	0000	9383-1	1268+0	2721+0	4332+0	5445+0	2904+1				
03	1065-1	4849-2	4913-2	4989-2	4981-2	5163-2	5207-2	5326-2	5915-2	3115+1	5882-2	1322-1	5790+2
	3419-3	1492-3	1577-3	1601-3	1599-3	1697-3	1671-3	1709-3	1899-3	4761-2	5297-2	4266-2	6975+2
	1609+0	7895-1	8343-1	8473-1	8460-1	8769-1	8844-1	9045-1	1005+0				
04	1999-1	8965-1	1047+0	1249+0	2322+0	1310+0	0000	0000	0000	3067+1	5833-2	1310-1	5790+2
	6477-3	2904-2	3354-2	4035-2	7541-2	4245-2	0000	0000	0000	4244-2	5182-2	4281-2	6975+2
	3427+0	1537+1	1756+1	2140+1	3989+1	2246+1	0000	0000	0000				
05	0000	1881-1	1061-1	9167-2	8911-2	8802-2	0000	0000	0000	3068+1	5798-2	1299-1	5800+2
	0000	6132-3	3457-3	2928-3	2905-3	2869-3	0000	0000	0000	4844-2	5344-2	4469-2	6975+2
	0000	3244+0	1829+0	1581+0	1537+0	1513+0	0000	0000	0000				

PROJ RUN GROUP CONF MACH X/D  
0626 0016 0303 0004 5000+0 1591+0

	1	2	3	4	5	6	7	8	9	Po	q	Pinf	Re	To
02	7435-1	4613-1	0000	4013-1	8821-1	5737-1	7125-1	8703-1	1179+0	3066+1	101+0	5795-2	1295-1	5910+2
	2425-2	1505-2	0000	1309-2	2877-2	1871-2	2324-2	2832-2	3846-2	2953-2	3344-2	1563-3	2750-2	6975+2
	1283+1	7971+0	0000	6925+0	1522+1	9899+0	1229+1	1502+1	2035+1					
03	8637-1	8335-1	5187-1	3104-1	2327-1	5061-1	8618-1	9268-1	1051+0	3066+1	1014+0	5795-2	1293-1	5815+2
	2617-2	2712-2	1692-2	1012-2	7785-3	1650-2	2211-2	3023-2	3461-2	2375-2	2797-2	1094-3	2172-2	6975+2
	1490+1	1432+1	8950+0	5356+0	4113+0	8733+0	1427+1	1599+1	1831+1					
04	7909-1	7399-1	8508-1	1089+0	1529+0	1904+0	0000	0000	0000	3064+1	1013+0	5791-2	1290-1	5820+2
	2582-2	2415-2	2777-2	3554-2	4991-2	6214-2	0000	0000	0000	2031-2	2436-2	2813-3	1506-2	6975+2
	1366+1	1278+1	1469+1	1881+1	2641+1	3286+1	0000	0000	0000					
05	0000	1657-1	1044-1	9229-2	8756-2	8709-2	0000	0000	0000	3072+1	1016+0	5805-2	1295-1	5835+2
	0000	6175-3	3398-3	3005-3	2851-3	2835-3	0000	0000	0000	1516-2	1828-2	1875-3	1266-2	6975+2
	0000	3267+0	1798+0	1589+0	1502+0	1500+0	0000	0000	0000					

PROJ RUN GROUP CONF MACH X/D  
0626 0016 0304 0004 5000+0 2747+0

	1	2	3	4	5	6	7	8	9	Po	q	Pinf	Re	To
02	8317-1	5549-1	0000	6503-1	1146+0	1513+0	8643-1	6102-1	9172-1	3047+1	1008+0	5758-2	1273-1	5350+2
	2729-2	1821-2	0000	2134-2	3760-2	4966-2	2637-2	2003-2	3012-2	1234-2	1378-2	1375-2	8125-3	6975+2
	1444+1	9636+0	0000	1129+1	1989+1	2622+1	1501+1	1059+1	1594+1					
03	1131+0	1064+0	6073-1	5915-1	5523-1	7927-1	1109+0	1188+0	1057+0	3061+1	1012+0	5755-2	1278-1	5355+2
	3697-2	3477-2	1934-2	1933-2	1804-2	2589-2	3625-2	3882-2	3551-2	1094-2	1453-2	1328-2	8281-3	6975+2
	1956+1	1839+1	1049+1	1023+1	9547+0	1370+1	1513+1	2054+1	1875+1					
04	1197+0	1084+0	9651-1	1168+0	1358+0	1595+0	0000	0000	0000	3066+1	1014+0	5795-2	1278-1	5860+2
	3904-2	3535-2	3148-2	3811-2	4429-2	5203-2	0000	0000	0000	1031-2	1406-2	1250-2	7500-3	6975+2
	2066+1	1870+1	1655+1	2016+1	2344+1	2753+1	0000	0000	0000					
05	0000	1878-1	1058-1	9183-2	8834-2	8665-2	0000	0000	0000	3062+1	1013+0	5766-2	1275-1	5865+2
	0000	6135-3	3454-3	2999-3	2885-3	2896-3	0000	0000	0000	9844-3	1391-2	1172-2	5313-3	6975+2
	0000	3246+0	1828+0	1587+0	1527+0	1532+0	0000	0000	0000					



PROJ RUN GROUP CONF MACH X/D  
0626 0016 0305 0004 5000+0 4955+0

	1	2	3	4	5	6	7	8	9	Po	q	Pinf	Re	To
02	1778+0	6973-1	0000	1054+0	1353+0	1608+0	1752+0	1832+0	1802+0	3052+1	1012+0	5780-2	1275-1	5850+2
	5812-2	2279-2	0000	3447-2	4424-2	5257-2	5728-2	5989-2	5893-2	9683-3	1297-2	1172-2	5625-3	6975+2
	3075+1	1206+1	0000	1224+1	2340+1	2782+1	3030+1	3169+1	3118+1					
03	1647+0	1419+0	7404-1	8328-1	9677-1	1162+0	1412+0	1527+0	1608+0	3064+1	1013+0	5791-2	1277-1	5860+2
	5375-2	4633-2	2417-2	2738-2	3152-2	3792-2	4608-2	4983-2	5249-2	9375-3	1297-2	1156-2	5453-3	6975+2
	2844+1	2451+1	1279+1	1448+1	1671+1	2006+1	2438+1	2636+1	2777+1					
04	1668+0	1641+0	1622+0	1482+0	1353+0	1368+0	0000	0000	0000	3066+1	1014+0	5795-2	1275-1	5860+2
	5439-2	5352-2	5289-2	4832-2	4412-2	4461-2	0000	0000	0000	9219-3	1219-2	1156-2	5453-3	6975+2
	2878+1	2832+1	2799+1	2557+1	2335+1	2360+1	0000	0000	0000					
05	0000	1873-1	1073-1	9277-2	8654-2	9020-2	0000	0000	0000	3068+1	1015+0	5798-2	1222-1	5850+2
	0000	6107-3	3497-3	3024-3	2869-3	2940-3	0000	0000	0000	9063-3	1203-2	1172-2	5453-3	6975+2
	0000	3231+0	1850+0	1599+0	1529+0	1556+0	0000	0000	0000					

PROJ RUN GROUP CONF MACH X/D  
0626 0016 0306 0004 5000+0 6955+0

	1	2	3	4	5	6	7	8	9	Po	q	Pinf	Re	To
02	1695+0	8252-1	0000	1097+0	1256+0	1509+0	1677+0	1784+0	1825+0	3062+1	1013+0	5788-2	1282-1	5845+2
	5534-2	2695-2	0000	3581-2	4233-2	4928-2	5475-2	5827-2	5961-2	8594-3	1203-2	1156-2	5313-3	6975+2
	2928+1	1426+1	0000	1895+1	2239+1	2608+1	2897+1	3083+1	3154+1					
03	1708+0	1446+0	8655-1	9636-1	1088+0	1256+0	1426+0	1508+0	1633+0	3061+1	1012+0	5785-2	1283-1	5840+2
	5580-2	4724-2	2828-2	3148-2	3556-2	4103-2	4659-2	4927-2	5336-2	8750-3	1203-2	1078-2	5156-3	6975+2
	2928+1	2499+1	1496+1	1666+1	1881+1	2171+1	2465+1	2607+1	2823+1					
04	1692+0	1721+0	1804+0	1799+0	1796+0	1483+0	0000	0000	0000	3061+1	1012+0	5785-2	1283-1	5840+2
	5527-2	5623-2	5894-2	5879-2	5868-2	4844-2	0000	0000	0000	8594-3	1219-2	1172-2	4375-3	6975+2
	2928+1	2975+1	3118+1	3110+1	3105+1	2563+1	0000	0000	0000					
05	0000	1864-1	1069-1	9405-2	8787-2	8756-2	0000	0000	0000	3065+1	1014+0	5792-2	1286-1	5835+2
	0000	6083-3	3491-3	2971-3	2867-3	2857-3	0000	0000	0000	8438-3	1219-2	1078-2	5156-3	6975+2
	0000	3218+0	1847+0	1572+0	1517+0	1512+0	0000	0000	0000					

PROJ RUN GROUP COMP MACH X/D  
0626 0016 0307 C004 5000+0 7543+0

	1	2	3	4	5	6	7	8	9	10	11	12	13	14	15	16	17	18	19	20	
02	1637+0	8706-1	0000	1093+0	1259+0	1458+0	1622+0	1756+0	1812+0	1914+0	2067+1	1014+0	5797-2	1288-1	5830+2						
	5337-2	2839-2	0000	3363-2	4106-2	4753-2	5307-2	5727-2	5929-2	6221-2	6551-2	1182-2	1078-2	4531-3	6975+2						
	2824+1	1502+1	0000	1885+1	2172+1	2515+1	2808+1	3030+1	3137+1												
03	1703+0	1421+0	9062-1	9970-1	1114+0	1267+0	1411+0	1502+0	1519+0	3065+1	1014+0	5792-2	1287-1	5830+2							
	5555-2	4637-2	2957-2	3253-2	3635-2	4136-2	4605-2	4921-2	5283-2	5433-3	1156-2	1063-2	4531-3	6975+2							
	2939+1	2453+1	1564+1	1721+1	1923+1	2182+1	2436+1	2604+1	2795+1												
04	1677+0	1719+0	1789+0	1735+0	1811+0	1711+0	0000	0000	0000	3062+1	1015+0	5792-2	1289-1	5830+2							
	5466-2	5605-2	5829-2	5850-2	5903-2	5578-2	0000	0000	0000	8221-3	1203-2	1063-2	4531-3	6975+2							
	2892+1	2966+1	3085+1	3095+1	3123+1	2951+1	0000	0000	0000												
05	0000	1891-1	1073-1	9199-2	8803-2	9051-2	0000	0000	0000	3071+1	1016+0	5804-2	1282-1	5825+2							
	0000	6156-3	3494-3	2995-3	2866-3	2947-3	0000	0000	0000	8438-3	1203-2	1063-2	4531-3	6975+2							
	0000	3257+0	1848+0	1585+0	1517+0	1559+0	0000	0000	0000												

PROJ RUN GROUP COMP MACH X/D  
0626 0016 0308 C004 5000+0 1004+0

	1	2	3	4	5	6	7	8	9	10	11	12	13	14	15	16	17	18	19	20	
02	1655+0	1127+0	0000	6158-1	6386-1	9054-1	1465+0	2903+0	6136+0	1329+2	4395+0	2512-1	4940-1	6325+2							
	1245-2	8452-3	0000	4634-3	4806-3	6513-3	1106-2	2164-2	4617-2	2656-2	3016-2	3554-3	2344-2	6975+2							
	6587+0	4488+0	0000	2452+0	2543+0	3605+0	5850+0	1156+1	2443+1												
03	2418+0	5987-1	1310+0	4537-1	2799-1	4609-1	1751+0	2149+0	2238+0	1329+2	4395+0	2511-1	4957-1	6310+2							
	1820-2	4506-3	9859-3	3415-3	2106-3	3469-3	1315-2	1618-2	1685-2	2734-2	2938-2	2906-2	2469-2	6975+2							
	9630+0	2384+0	5217+0	1807+0	1114+0	1636+0	6973+0	8561+0	8913+0												
04	2481+0	2803+0	3007+0	5002+0	1028+1	5908+0	0000	0000	0000	1329+2	4395+0	2511-1	4963-1	6305+2							
	1867-2	2109-2	2263-2	3765-2	7739-2	4446-2	0000	0000	0000	2734-2	2969-2	2922-2	2422-2	6975+2							
	9879+0	1116+1	1198+1	1992+1	4095+1	2352+1	0000	0000	0000												
05	0000	7805-1	4320-1	3527-1	3487-1	3672-1	0000	0000	0000	1329+2	4395+0	2513-1	4973-1	6300+2							
	0000	5869-3	3249-3	2652-3	2622-3	2761-3	0000	0000	0000	2641-2	3203-2	3031-2	2531-2	6975+2							
	0000	3105+0	1719+0	1403+0	1387+0	1461+0	0000	0000	0000												

PROJ RUN GROUP CONF MACH X/D  
0626 0016 0309 0004 5000+0 1991+C

	1	2	3	4	5	6	7	8	9	q	Pinf	Re	To
02	3124+0	1707+0	0000	1682+0	3716+0	2524+C	3050+0	3651+0	4657+C	4326+2	2507+C	4960-1	6300+2
	2353-2	1287-2	0000	1268-2	2802-2	1911-2	2995-2	2733-2	3745-2	2531-2	2506-2	2422-2	6975+2
	1245+1	6509+0	0000	6709+C	1482+1	1011+C	1217+1	1456+1	1921+1				
03	3029+0	5187+0	2044+0	1478+0	1684+0	4434+0	5895+0	5353+0	3071+C	1326+2	2506-1	4959-1	6300+2
	2284-2	3911-2	1542-2	1115-2	1258-2	3343-2	4448-2	4037-2	2316-2	2631-2	2813-2	2359-2	6975+2
	1208+1	2069+1	8156+0	5899+0	6706+0	1769+1	2354+1	2136+1	1225+1				
04	2806+0	3026+0	3395+0	4484+0	6648+0	8163+C	0000	0000	0000	1325+2	4392+0	4949-1	6305+2
	2118-2	2284-2	2562-2	3384-2	5015-2	6166-2	0000	0000	0000	2375-2	2875-2	2323-2	6975+2
	1121+1	1208+1	1356+1	1790+1	2655+1	3252+1	0000	0000	0000				
05	0000	7789-1	4308-1	3509-1	3447-1	3631-1	0000	0000	0000	1324+2	4378+C	4945-1	6305+2
	0000	5884-3	3254-3	2654-3	2604-3	2743-3	0000	0000	0000	2578-2	3015-2	2323-2	6975+2
	0000	3113+0	1722+0	1403+0	1378+0	1451+C	0000	0000	0000				

PROJ RUN GROUP CONF MACH X/D  
0626 0016 0310 0004 5000+0 24+C

	1	2	3	4	5	6	7	8	9	q	Pinf	Re	To
02	3501+0	2169+0	0000	2234+0	4637+0	6478+0	3479+0	3836+0	4634+0	1327+2	4368+0	4950-1	6310+2
	2639-2	1635-2	0000	1684-2	3495-2	4822-2	2622-2	2893-2	3493-2	2656-2	2734-2	2391-2	6975+2
	1396+1	8652+0	0000	8909+0	1849+1	2563+1	1387+1	1531+1	1648+1				
03	4605+0	6076+0	2323+0	2374+0	3708+0	6150+C	6009+0	5241+0	4737+0	1328+2	4391+0	4953-1	6310+2
	3469-2	4577-2	1749-2	1788-2	2793-2	4633-2	4526-2	3948-2	3568-2	2594-2	2875-2	2375-2	6975+2
	1835+1	2422+1	9259+0	9463+0	1478+1	2451+1	2395+1	2089+1	1888+1				
04	3765+0	7292-1	4027+0	4557+0	5847+0	6856+0	0000	0000	0000	1329+2	4395+0	4957-1	6310+2
	2834-2	5488-3	3031-2	3429-2	4401-2	5160-2	0000	0000	0000	2594-2	2906-2	2344-2	6975+2
	1499+1	2904+0	1604+1	1814+1	2329+1	2730+1	0000	0000	0000				
05	0000	7812-1	4322-1	3519-1	3467-1	3645-1	0000	0000	0000	1331+2	4404+0	4962-1	6315+2
	0000	5867-3	3246-3	2643-3	2604-3	2738-3	0000	0000	0000	2563-2	3031-2	2391-2	6975+2
	0000	3104+0	1717+0	1398+0	1378+0	1449+0	0000	0000	0000				

PROJ RUN GROUP CODE MACH X/D  
0626 0016 0311 0004 5000+0 4965+0

	1	2	3	4	5	6	7	8	9	Po	q	Panf	Re	To
02	7431+0	2939+0	0000	3014+0	4384+0	6501+0	7424+0	7740+0	7673+0	1331+2	4402+0	2516-1	4954-1	5320+2
	5583-2	2209-2	0000	2261-2	3294-2	4824-2	5575-2	5815-2	5765-2	2435-2	2823-2	2213-2	2359-2	6975+2
	2954+1	1169+1	0000	1198+1	1743+1	2584+1	2951+1	3077+1	3050+1					
03	6758+0	6739+0	3476+0	4700+0	5874+0	6791+0	6716+0	6378+0	6801+0	1329+2	4322+0	2513-1	4943-1	6325+2
	5082-2	5069-2	2615-2	3535-2	4415-2	5107-2	5051-2	4797-2	5115-2	2547-2	2737-2	2703-2	2391-2	6975+2
	2689+1	2682+1	1383+1	1270+1	2336+1	2702+1	2673+1	2538+1	2706+1					
04	7034+0	7068+0	6624+0	5669+0	5794+0	5870+0	0000	0000	0000	1332+2	4405+0	2517-1	4951-1	6325+2
	5282-2	5308-2	4974-2	4258-2	4350-2	4408-2	0000	0000	0000	2531-2	3109-2	2737-2	2344-2	6975+2
	2794+1	2808+1	2632+1	2253+1	2302+1	2332+1	0000	0000	0000					
05	0000	7812-1	4313-1	3525-1	3451-1	3638-1	0000	0000	0000	1329+2	4399+0	2513-1	4937-1	6330+2
	0000	5876-3	3244-3	2651-3	2596-3	2736-3	0000	0000	0000	2547-2	2823-2	2559-3	2359-2	6975+2
	0000	3109+0	1716+0	1403+0	1373+0	1448+0	0000	0000	0000					

PROJ RUN GROUP CODE MACH X/D  
0626 0016 0312 0004 5000+0 6925+0

	1	2	3	4	5	6	7	8	9	Po	q	Panf	Re	To
02	6653+0	6584-1	0000	3365+0	4025+0	5760+0	6944+0	7425+0	7706+0	1330+2	4400+0	2514-1	4939-1	6330+2
	5001-2	4949-3	0000	2546-2	3025-2	4329-2	5219-2	5583-2	5794-2	2422-2	2766-2	2734-2	2344-2	6975+2
	2646+1	2619+0	0000	1347+1	1601+1	2291+1	2762+1	2954+1	3066+1					
03	7120+0	6768+0	4517+0	5274+0	6025+0	6555+0	6829+0	6659+0	7051+0	1333+2	4405+0	2519-1	4948-1	6330+2
	5343-2	5079-2	3389-2	3957-2	4523-2	4919-2	4975-2	4996-2	5291-2	2578-2	2700-2	2609-2	2313-2	6975+2
	2827+1	2687+1	1793+1	2094+1	2395+1	2602+1	2632+1	2643+1	2799+1					
04	7207+0	7118+0	7704+0	7659+0	7732+0	6515+0	0000	0000	0000	1333+2	4410+0	2520-1	4945-1	6335+2
	5405-2	5338-2	5778-2	5894-2	5792-2	4886-2	0000	0000	0000	2563+2	2963+2	2688-2	2359-2	6975+2
	2859+1	2824+1	3057+1	3118+1	3062+1	2585+1	0000	0000	0000					
05	0000	7875-1	4337-1	3539-1	3476-1	3650-1	0000	0000	0000	1336+2	4415+0	2525-1	4954-1	6335+2
	0000	5895-3	3247-3	2649-3	2603-3	2733-3	0000	0000	0000	2516-2	2933-2	2750-2	2344-2	6975+2
	0000	3119+0	1718+0	1402+0	1377+0	1446+0	0000	0000	0000					

PROJ RUN	GROUP	CONF	FACE	X/D	1	2	3	4	5	6	7	8	9	Po	q	Pinf	Re	To	
0626	0016	0313	0004	5000+0	7946+0														
02	6251+0	4122+0	0000	3669+0	4069+0	5485+0	6756+0	7386+0	7647+0	7647+0	1336+2	4412+0	2525-1	4944-1	6345+2				
	4678-2	3065-2	0000	2746-2	3061-2	4105-2	5056-2	5527-2	5723-2	5723-2	2516-2	2938-2	2703-2	2344-2	6975+2				
	2475+1	1632+1	0000	1453+1	1619+1	2172+1	2675+1	2925+1	3028+1	3028+1									
03	7146+0	6628+0	4664+0	5223+0	5936+0	6419+0	6559+0	6751+0	7077+0	7077+0	1336+2	4419+0	2525-1	4943-1	6345+2				
	5349-2	5006-2	3491-2	3954-2	4444-2	4805-2	4909-2	5053-2	5297-2	5297-2	2531-2	2644-2	2766-2	2344-2	6975+2				
	2830+1	2649+1	1847+1	2092+1	2351+1	2542+1	2598+1	2674+1	2803+1	2803+1									
04	7153+0	7068+0	7662+0	7795+0	7568+0	7546+0	0000	0000	0000	0000	1334+2	4413+0	2521-1	4936-1	6345+2				
	5362-2	5298-2	5743-2	5843-2	5897-2	5656-2	0000	0000	0000	0000	2594-2	2643-2	2750-2	2344-2	6975+2				
	2837+1	2803+1	3039+1	3091+1	3120+1	2993+1	0000	0000	0000	0000									
05	0000	7828-1	4317-1	3536-1	3456-1	3655-1	0000	0000	0000	0000	1332+2	4407+0	2516-1	4924-1	6350+2				
	0000	5875-3	3240-3	2654-3	2594-3	2743-3	0000	0000	0000	0000	2594-2	2922-2	2813-2	2359-2	6975+2				
	0000	3108+0	1714+0	1404+0	1372+0	1451+0	0000	0000	0000	0000									

PROJ RUN	GROUP	CONF	FACE	X/D	1	2	3	4	5	6	7	8	9	Po	q	Pinf	Re	To	
0626	0017	0314	0004	5000+0	1000+0														
05	2030-1	0000	0000	0000	0000	0000	0000	0000	0000	0000	0000	0000	0000	3037+1	1304+0	5739-2	1276-1	5830+2	
	6686-3	0000	0000	0000	0000	0000	0000	0000	0000	0000	0000	0000	0000	-1221+0	-1279+0	-1279+0	0000	6975+2	
	3537+0	0000	0000	0000	0000	0000	0000	0000	0000	0000	0000	0000	0000						
05	2027-1	0000	0000	0000	0000	0000	0000	0000	0000	0000	0000	0000	0000	3038+1	1005+0	5742-2	1275-1	5835+2	
	6672-3	0000	0000	0000	0000	0000	0000	0000	0000	0000	0000	0000	0000	-1261+0	-1279+0	-1279+0	0000	6975+2	
	3530+0	0000	0000	0000	0000	0000	0000	0000	0000	0000	0000	0000	0000						

PROJ RUN GROUP COMP MACH X/D  
0626 0017 0315 0004 5000+0 1525+0

	1	2	3	4	5	6	7	8	9	Po	q	Pinf	Re	To
05	4654-1	0000	0000	0000	0000	0000	0000	0000	0000	3047+1	1005+0	5759-2	1277-1	5840+2
	1527-2	0000	0000	0000	0000	0000	0000	0000	0000	-1281+0	-1279+0	-1279+0	0000	6975+2
	8081+0	0000	0000	0000	0000	0000	0000	0000	0000					6975+2
05	4659-1	0000	0000	0000	0000	0000	0000	0000	0000	3047+1	1005+0	5759-2	1277-1	5840+2
	1529-2	0000	0000	0000	0000	0000	0000	0000	0000	-1281+0	-1279+0	-1279+0	0000	6975+2
	8089+0	0000	0000	0000	0000	0000	0000	0000	0000					6975+2

PROJ RUN GROUP COMP MACH X/D  
0626 0017 0316 0004 5000+0 2971+0

	1	2	3	4	5	6	7	8	9	Po	q	Pinf	Re	To
05	5749-1	0000	0000	0000	0000	0000	0000	0000	0000	3042+1	1006+0	5745-2	1273-1	5845+2
	1889-2	0000	0000	0000	0000	0000	0000	0000	0000	-1281+0	-1279+0	-1279+0	0000	6975+2
	9999+0	0000	0000	0000	0000	0000	0000	0000	0000					6975+2
05	5734-1	0000	0000	0000	0000	0000	0000	0000	0000	3039+1	1005+0	5745-2	1270-1	5850+2
	1886-2	0000	0000	0000	0000	0000	0000	0000	0000	-1281+0	-1279+0	-1279+0	0000	6975+2
	9980+0	0000	0000	0000	0000	0000	0000	0000	0000					6975+2

PROJ	RUN	GROUP	CONF	EACH	X/D	1	2	3	4	5	666	7	8	99	Po	q	Pinf	Re	To	
0626	0017	0317	0004	5000+0	4925+0															
05	7063-1	0000	0000	0000	0000	0000	0000	0000	0000	0000	0000	0000	0000	3048+1	1032+0	5761-2	1276-1	5245+2		
	2317-2	0000	0000	0000	0000	0000	0000	0000	0000	0000	0000	0000	0000	-1281+0	-1279+0	-1275+0	0000	6975+2	6975+2	
	1226+1	0000	0000	0000	0000	0000	0000	0000	0000	0000	0000	0000	0000							
05	7058-1	0000	0000	0000	0000	0000	0000	0000	0000	0000	0000	0000	0000	3047+1	1038+0	5759-2	1275-1	5245+2		
	2316-2	0000	0000	0000	0000	0000	0000	0000	0000	0000	0000	0000	0000	-1281+0	-1279+0	-1275+0	0000	6975+2	6975+2	
	1225+1	0000	0000	0000	0000	0000	0000	0000	0000	0000	0000	0000	0000							

PROJ	RUN	GROUP	CONF	EACH	X/D	1	2	3	4	5	6	7	8	9	Po	q	Pinf	Re	To	
0626	0017	0312	0004	5000+0	6959+0															
05	8378-1	0000	0000	0000	0000	0000	0000	0000	0000	0000	0000	0000	0000	0000	3054+1	1010+0	5773-2	1279-1	5240+2	
	2743-2	0000	0000	0000	0000	0000	0000	0000	0000	0000	0000	0000	0000	0000	-1281+0	-1279+0	-1279+0	0000	6975+2	6975+2
	1451+1	0000	0000	0000	0000	0000	0000	0000	0000	0000	0000	0000	0000	0000						
05	8376-1	0000	0000	0000	0000	0000	0000	0000	0000	0000	0000	0000	0000	0000	3056+1	1012+0	5780-2	1282-1	5840+2	
	2739-2	0000	0000	0000	0000	0000	0000	0000	0000	0000	0000	0000	0000	0000	-1281+0	-1279+0	-1279+0	0000	6975+2	6975+2
	1449+1	0000	0000	0000	0000	0000	0000	0000	0000	0000	0000	0000	0000	0000						

PROJ RUN GROUP COMP MACH X/D  
062E 0017 0319 0004 5000+0 7955+0

	1	2	3	4	5	6	7	8	9	po	q	Pinf	Re	To
05	854-1	0000	0000	0000	0000	0000	0000	0000	0000	3076+1	1012+0	5814-2	1289-1	5840+2
	2878-2	0000	0000	0000	0000	0000	0000	0000	0000	-1281+0	-1279+0	-1279+0	0000	6975+2
	1523+1	0000	0000	0000	0000	0000	0000	0000	0000					6975+2
05	8652-1	0000	0000	0000	0000	0000	0000	0000	0000	3074+1	1017+0	5810-2	1288-1	5840+2
	2879-2	0000	0000	0000	0000	0000	0000	0000	0000	-1281+0	-1279+0	-1279+0	0000	6975+2
	1524+1	0000	0000	0000	0000	0000	0000	0000	0000					6975+2

PROJ RUN GROUP COMP MACH X/D  
062E 0017 0320 0004 5000+0 1000+0

	1	2	3	4	5	6	7	8	9	po	q	Pinf	Re	To
05	1152+0	0000	0000	0000	0000	0000	0000	0000	0000	1337+2	4423+0	2528-1	4954-1	6340+2
	8616-3	0000	0000	0000	0000	0000	0000	0000	0000	-1281+0	-1279+0	-1279+0	0000	6975+2
	4559+0	0000	0000	0000	0000	0000	0000	0000	0000					6975+2



PROJ	FUN	GROUP	CONF	FACH	X/D	1	2	3	4	5	6	7	8	9	Po	q	Pinf	Re	To	
0626	0017	0321	0004	5000+C	1991+0															
05		1759+0	0000	0000	0000	0000	0000	0000	0000	0000	0000	0000	0000	0000	1331+2	4402+C	2516-1	4937-1	6335+2	
		1322-2	0000	0000	0000	0000	0000	0000	0000	0000	0000	0000	0000	0000	-1116+0	-1275+C	-1275+0	0000	6975+2	
		6992+0	0000	0000	0000	0000	0000	0000	0000	0000	0000	0000	0000	0000					6975+2	

PROJ	FUN	GROUP	CONF	FACH	X/D	1	2	3	4	5	6	7	8	9	Po	q	Pinf	Re	To
0626	0017	0322	0004	5000+C	2983+0														
05		2256+0	0000	0000	0000	0000	0000	0000	0000	0000	0000	0000	0000	0000	1329+2	4398+C	2513-1	4549-1	6320+2
		1697-2	0000	0000	0000	0000	0000	0000	0000	0000	0000	0000	0000	0000	-1281+0	-1279+0	-1279+0	0000	6975+2
		8977+0	0000	0000	0000	0000	0000	0000	0000	0000	0000	0000	0000	0000					6975+2

PROJ RUN GROUP CONF PAGE X/D  
 0626 0017 0323 0004 5000+0 4973+0

	1	2	3	4	5	6	7	8	9	PO	Q	PINF	Re	To
05	2923+0	9554-1	4403-1	3526-1	3516-1	1410+1	1415+1	1413+1	1416+1	1311+2	4401+0	2515-1	4528-1	6315+2
	2197-2	7150-3	3309-3	2695-3	2643-3	1059-1	1063-1	1062-1	1064-1	4311-2	3573-2	4844-2	2023-2	6975+2
	1162+1	3795+0	1751+0	1425+0	1339+0	5606+1	5627+1	5619+1	5631+1					

PROJ RUN GROUP CONF PAGE X/D  
 0626 0017 0324 0004 5000+0 6955+0

	1	2	3	4	5	6	7	8	9	PO	Q	PINF	Re	To
05	3850+0	7680-1	4408-1	3594-1	3527-1	1410+1	1415+1	1412+1	1415+1	1330+2	4400+0	2514-1	4569-1	6305+2
	2899-2	5779-3	3313-3	2701-3	2651-3	1060-1	1063-1	1061-1	1064-1	3219-2	3156-2	3316-2	1125-2	6975+2
	1534+1	3558+0	1753+0	1429+0	1403+0	5609+1	5627+1	5616+1	5632+1					

PROJ	RUN	GROUP	CONF	MACH	X/D	1	2	3	4	5	6	7	8	9	Po	q	Pinf	Re	Co	
0625	0017	0326	0004	4030+0	1004+0															
05	1858+0	0000	0000	0000	0000	0000	0000	0000	0000	0000	0000	0000	0000	0000	7357+1	5293+0	4656-1	4944-1	5255+2	
	2580-2	0000	0000	0000	0000	0000	0000	0000	0000	0000	0000	0000	0000	0000	5063-2	5453-2	4891-2	5541-2	6975+2	
	4077+0	0000	0000	0000	0000	0000	0000	0000	0000	0000	0000	0000	0000	0000						
05	1897+0	0000	0000	0000	0000	0000	0000	0000	0000	0000	0000	0000	0000	0000	7359+1	5295+0	4658-1	4946-1	5250+2	
	2577-2	0000	0000	0000	0000	0000	0000	0000	0000	0000	0000	0000	0000	0000	5203-2	5363-2	4922-2	5172-2	6975+2	
	4072+0	0000	0000	0000	0000	0000	0000	0000	0000	0000	0000	0000	0000	0000						

PROJ	RUN	GROUP	CONF	MACH	X/D	1	2	3	4	5	6	7	8	9	Po	q	Pinf	Re	Co
0626	0017	0325	0004	5000+0	7955+0														
05	1393+0	9321-1	4475-1	3640-1	3572-1	1410+1	1415+1	1412+1	1415+1	1415+1	1412+1	1415+1	1412+1	1415+1	1326+2	4394+0	2511-1	4962-1	6305+2
	1049-2	7010-3	3365-3	2740-3	2694-3	1062-1	1065-1	1063-1	1065-1	1065-1	1063-1	1065-1	1063-1	1065-1	2259-2	2922-2	3183-2	1484-2	6975+2
	5548+0	3712+0	1752+0	1449+0	1425+0	5617+1	5635+1	5622+1	5637+1	5635+1	5622+1	5637+1	5622+1	5637+1					

PROJ RUN GROUP CONF MACH X/D  
0626 0017 0327 0004 4030+0 1958+0

PROJ	RUN	GROUP	CONF	MACH	X/D	1	2	3	4	5	6	7	8	9	PO	Q	PINF	RE	TO
05	2922+0	0000	0000	0000	0000	0000	0000	0000	0000	0000	0000	0000	0000	0000	7329+1	5317+0	4677-1	4779-1	5840+2
	3954-2	0000	0000	0000	0000	0000	0000	0000	0000	0000	0000	0000	0000	0000	5219-2	5672-2	4984-2	5672-2	6975+2
	6248+0	0000	0000	0000	0000	0000	0000	0000	0000	0000	0000	0000	0000	0000					6975+2
05	2914+0	0000	0000	0000	0000	0000	0000	0000	0000	0000	0000	0000	0000	0000	7359+1	5317+0	4677-1	4979-1	5840+2
	3943-2	0000	0000	0000	0000	0000	0000	0000	0000	0000	0000	0000	0000	0000	5125-2	5672-2	4953-2	5355-2	6975+2
	6230+0	0000	0000	0000	0000	0000	0000	0000	0000	0000	0000	0000	0000	0000					6975+2

PROJ RUN GROUP CONF MACH X/D  
0626 0017 0328 0004 4030+0 2933+0

PROJ	RUN	GROUP	CONF	MACH	X/D	1	2	3	4	5	6	7	8	9	PO	Q	PINF	RE	TO
05	3459+0	0000	0000	0000	0000	0000	0000	0000	0000	0000	0000	0000	0000	0000	7404+1	5327+0	4686-1	5001-1	5830+2
	4672-2	0000	0000	0000	0000	0000	0000	0000	0000	0000	0000	0000	0000	0000	5231-2	5750-2	4969-2	5891-2	6975+2
	7383+0	0000	0000	0000	0000	0000	0000	0000	0000	0000	0000	0000	0000	0000					6975+2
05	3449+0	0000	0000	0000	0000	0000	0000	0000	0000	0000	0000	0000	0000	0000	7395+1	5320+0	4679-1	4955-1	5830+2
	4665-2	0000	0000	0000	0000	0000	0000	0000	0000	0000	0000	0000	0000	0000	5234-2	5672-2	5016-2	5156-2	6975+2
	7372+0	0000	0000	0000	0000	0000	0000	0000	0000	0000	0000	0000	0000	0000					6975+2

PROJ RUN GROUP CONF MACH I/D  
0626 0017 0329 0004 4030+C 4925+0

	1	2	3	4	5	6	7	8	9	Po	q	Pinf	Re	To
05	5699+0	0000	0000	0000	0000	0000	0000	0000	0000	7352+1	5285+0	4653-1	4973-1	5825+2
	7751-2	0000	0000	0000	0000	0000	0000	0000	0000	5234-2	5715-2	5063-2	5734-2	6975+2
	1225+1	0000	0000	0000	0000	0000	0000	0000	0000					
05	5659+0	0000	0000	0000	0000	0000	0000	0000	0000	7331+1	5275+0	4639-1	4958-1	5825+2
	7719-2	0000	0000	0000	0000	0000	0000	0000	0000	5313-2	5703-2	5047-2	5359-2	6975+2
	1219+1	0000	0000	0000	0000	0000	0000	0000	0000					

PROJ RUN GROUP CONF MACH I/D  
0626 0017 0330 0004 4030+C 6955+0

	1	2	3	4	f	6	7	8	9	Po	q	Pinf	Pe	To
05	7298+0	0000	0000	0000	0000	0000	0000	0000	0000	7362+1	5297+C	4659-1	4959-1	5840+2
	9913-2	0000	0000	0000	0000	0000	0000	0000	0000	5250-2	5641-2	5063-2	5663-2	6975+2
	1566+1	0000	0000	0000	0000	0000	0000	0000	0000					
05	7305+0	0000	0000	0000	0000	0000	0000	0000	0000	7357+1	5233+C	4656-1	4957-1	5840+2
	9929-2	0000	0000	0000	0000	0000	0000	0000	0000	4969-2	5563-2	5109-2	4922-2	6975+2
	1569+1	0000	0000	0000	0000	0000	0000	0000	0000					

PROJ RUN GROUP COMP MACH X/D  
0626 0017 0331 0004 4030+0 7965+0

1	2	3	4	5	6	7	8	9	Po	q	Pinf	Re	To
05	7651+0	0000	0000	0000	0000	0000	0000	0000	7334+1	5275+0	4639-1	4939-1	5540+2
	1044-1	0000	0000	0000	0000	0000	0000	0000	5156-2	5641-2	5024-2	5797-2	6975+2
	1649+1	0000	0000	0000	0000	0000	0000	0000					6975+2
05	7629+0	0000	0000	0000	0000	0000	0000	0000	7334+1	5275+0	4639-1	4939-1	5840+2
	1041-1	0000	0000	0000	0000	0000	0000	0000	5250-2	5638-2	5094-2	5000-2	6975+2
	1644+1	0000	0000	0000	0000	0000	0000	0000					6975+2

PROJ RUN GROUP COMP MACH X/D  
0626 0017 0332 0004 3950+0 1000+0

1	2	3	4	5	6	7	8	9	Po	q	Pinf	Re	To
05	2636-1	0000	0000	0000	0000	0000	0000	0000	1368+1	1017+0	9128-2	9416-2	5833+2
	1928-2	0000	0000	0000	0000	0000	0000	0000	1922-2	2313-2	2016-2	2625-2	6975+2
	2888+0	0000	0000	0000	0000	0000	0000	0000					6975+2
05	2635-1	0000	0000	0000	0000	0000	0000	0000	1368+1	1017+0	9128-2	9416-2	5835+2
	1927-2	0000	0000	0000	0000	0000	0000	0000	1938-2	2234-2	2125-2	1513-2	6975+2
	2887+0	0000	0000	0000	0000	0000	0000	0000					6975+2

PROJ RUN GROUP CONF MACH X/D  
0626 0017 0333 0004 3990+0 1933+0

	1	2	3	4	5	6	7	8	9	PO	Q	PINF	RE	TO
05	5109-1	0000	0000	0000	0000	0000	0000	0000	0000	1382+1	1028+0	9222-2	9513-2	5835+2
	3698-2	0000	0000	0000	0000	0000	0000	0000	0000	1844-2	2234-2	1522-2	2435-2	6975+2
	5539+0	0000	0000	0000	0000	0000	0000	0000	0000					
05	5107-1	0000	0000	0000	0000	0000	0000	0000	0000	1382+1	1028+0	9222-2	9513-2	5835+2
	3696-2	0000	0000	0000	0000	0000	0000	0000	0000	1875-2	2141-2	2000-2	1761-2	6975+2
	5538+0	0000	0000	0000	0000	0000	0000	0000	0000					

PROJ RUN GROUP CONF MACH X/D  
0626 0017 0334 0004 3990+0 2933+0

	1	2	3	4	5	6	7	8	9	PO	Q	PINF	RE	TO
05	6562-1	0000	0000	0000	0000	0000	0000	0000	0000	1387+1	1032+0	9258-2	9550-2	5835+2
	5019-2	0000	0000	0000	0000	0000	0000	0000	0000	1844-2	2163-2	2000-2	2344-2	6975+2
	7519+0	0000	0000	0000	0000	0000	0000	0000	0000					
05	6951-1	0000	0000	0000	0000	0000	0000	0000	0000	1386+1	1031+0	9253-2	9545-2	5835+2
	5014-2	0000	0000	0000	0000	0000	0000	0000	0000	1844-2	2162-2	1964-2	1641-2	6975+2
	7512+0	0000	0000	0000	0000	0000	0000	0000	0000					

PROJ RUN: GROUP COIF EACH X/D  
0626 0017 0335 0004 393040 492540

	1	2	3	4	5	6	7	8	9	Po	q	Pinf	Re	To
05	2724-1	0000	0000	0000	0000	0000	0000	0000	0000	1331+1	1005+0	9015-2	9315-2	5930+2
	5457-2	0000	0000	0000	0000	0000	0000	0000	0000	1750-2	2047-2	1922-2	2359-2	6975+2
	9573+0	0000	0000	0000	0000	0000	0000	0000	0000					6975+2
05	6594-1	0000	0000	0000	0000	0000	0000	0000	0000	1349+1	1003+0	9003-2	9259-2	5930+2
	5446-2	0000	0000	0000	0000	0000	0000	0000	0000	1513-2	2109-2	1906-2	2000-2	6975+2
	9558+0	0000	0000	0000	0000	0000	0000	0000	0000					6975+2

PROJ RUN: GROUP COIF EACH X/D  
0626 0017 0336 0004 393040 695540

	1	2	3	4	5	6	7	8	9	Po	q	Pinf	Re	To
05	1032+0	0000	0000	0000	0000	0000	0000	0000	0000	1383+1	1023+0	9232-2	9524-2	5935+2
	7458-2	0000	0000	0000	0000	0000	0000	0000	0000	1522-2	1914-2	1500-2	2255-2	6975+2
	1117+1	0000	0000	0000	0000	0000	0000	0000	0000					6975+2
05	1032+0	0000	0000	0000	0000	0000	0000	0000	0000	1385+1	1031+0	9248-2	9539-2	5935+2
	7451-2	0000	0000	0000	0000	0000	0000	0000	0000	1703-2	2073-2	1500-2	1125-2	6975+2
	1116+1	0000	0000	0000	0000	0000	0000	0000	0000					6975+2



PROJ RUN GROUP CONF MACH X/D  
0626 0017 0337 0004 3220+0 7955+0

1	2	3	4	5	6	7	8	9	Po	q	Pinf	Re	To
05	1075+0	0000	0000	0000	0000	0000	0000	0000	1370+1	2024+0	9185-2	3487-2	5890+2
	7811-2	0000	0000	0000	0000	0000	0000	0000	1688-2	2000-2	1844-2	2125-2	6975+2
	1170+1	0000	0000	0000	0000	0000	0000	0000					
05	1071+0	0000	0000	0000	0000	0000	0000	0000	1371+1	1019+0	9148-2	3480-2	5890+2
	7814-2	0000	0000	0000	0000	0000	0000	0000	1750-2	2047-2	1844-2	1531-2	6975+2
	1171+1	0000	0000	00									

PROJ RUN GROUP CONF MACH X/D  
0626 0018 0338 0004 5000+0 9963-1

1	2	3	4	5	6	7	8	9	Po	q	Pinf	Re	To
02	7167-2	2824-2	6533-2	5822-2	0000	0000	0000	0000	1331+2	4402+0	2516-1	4960-1	6315+2
	5395-4	2122-4	4909-4	4374-4	0000	0000	0000	0000	2484-2	2563-2	2297-2	2715-2	6975+2
	2849-1	1123-1	2597-1	2314-1	0000	0000	0000	0000					
03	7572-2	9721-2	6288-2	9642-2	1058-1	2548-1	2367-1	0000	1328+2	4392+0	2509-1	4942-1	6320+2
	5703-4	7321-4	4735-4	7262-4	6259-4	1519-3	1783-3	0000	2453-2	2656-2	2516-2	2828-2	6975+2
	3018-1	3874-1	2506-1	3942-1	4375-1	1015+0	9434-1	0000					
04	0000	0000	0000	0000	0000	0000	0000	0000	1328+2	4392+0	2509-1	4942-1	6320+2
	0000	0000	0000	0000	0000	0000	0000	0000	2459-2	2572-2	2484-2	2638-2	6975+2
	0000	0000	0000	0000	0000	0000	0000	0000					
05	0000	7761-1	4347-1	3589-1	3532-1	0000	0000	0000	1313+2	4343+0	2482-1	4888-1	6320+2
	0000	5909-3	3311-3	2733-3	2589-3	0000	0000	0000	2813-2	2922-2	2828-2	3203-2	6975+2
	0000	3127+0	1752+0	1446+0	1423+0	0000	0000	0000					

PROJ RUN GROUP CONF MACH X/D  
0626 0018 0339 0004 5000+0 1555+0

	1	2	3	4	5	6	7	8	9	Po	q	Pinf	Re	To
02	7121-2	2035-1	2068-1	6349-2	0000	0000	0000	0000	0000	1320+2	4366+0	2495-1	4913-1	6320+2
	5394-4	1541-3	1566-3	5265-4	0000	0000	0000	0000	0000	2750-2	3094-2	2275-2	3172-2	6975+2
	2854-1	8155-1	8288-1	2786-1	0000	0000	0000	0000	0000					
03	7853-2	1421-1	1547-1	1656-1	1649-1	9569-2	1645-1	2631-1	0000	1326+2	4385+0	2506-1	4935-1	6320+2
	5923-4	1072-3	1166-3	1249-3	1244-3	7217-4	1241-3	1954-3	0000	2703-2	2924-2	2828-2	3158-2	6975+2
	3134-1	5672-1	6171-1	6608-1	6521-1	3819-1	6566-1	1249+0	0000					
04	0000	0000	0000	0000	0000	0000	0000	0000	0000	1328+2	4392+0	2509-1	4943-1	6320+2
	0000	0000	0000	0000	0000	0000	0000	0000	0000	2797-2	3031-2	2844-2	3172-2	6975+2
	0000	0000	0000	0000	0000	0000	0000	0000	0000					
05	0000	7964-1	4417-1	3648-1	3622-1	0000	0000	0000	0000	1328+2	4392+0	2509-1	4942-1	6320+2
	0000	5998-3	3326-3	2748-3	2728-3	0000	0000	0000	0000	2734-2	3047-2	2844-2	3168-2	6975+2
	0000	3174+0	1759+0	1454+0	1444+0	0000	0000	0000	0000					

PROJ RUN GROUP CONF MACH X/D  
0626 0018 0340 0004 5000+0 2966+0

	1	2	3	4	5	6	7	8	9	Po	q	Pinf	Re	To
02	7682-2	2397-1	2395-1	1872-1	0000	0000	0000	0000	0000	1331+2	4402+0	2517-1	4956-1	6320+2
	5769-4	1799-3	1795-3	1406-3	0000	0000	0000	0000	0000	2719-2	2969-2	2734-2	3172-2	6975+2
	3052-1	9523-1	9517-1	7439-1	0000	0000	0000	0000	0000					
03	1402-1	1816-1	2215-1	2329-1	2034-1	1674-1	1463-1	1953-1	0000	1332+2	4405+0	2517-1	4958-1	6320+2
	1053-3	1364-3	1663-3	1749-3	1527-3	1257-3	1098-3	1466-3	0000	2682-2	3047-2	2766-2	3156-2	6975+2
	5570-1	7214-1	8799-1	9251-1	8079-1	6649-1	5609-1	7753-1	0000					
05	0000	7940-1	4359-1	3597-1	3579-1	0000	0000	0000	0000	1334+2	4413+0	2521-1	4965-1	6320+2
	0000	5952-3	3289-3	2696-3	2683-3	0000	0000	0000	0000	2691-2	3031-2	2797-2	3172-2	6975+2
	0000	3149+0	1741+0	1427+0	1419+0	0000	0000	0000	0000					

MRQJ RUN GROUP COMP MACH X/D  
0626 0018 0341 0004 5000+0 4972+0

	1	2	3	4	5	6	7	8	9	10	11	12		
02	2521-1	2503-1	2513-1	2504-1	0000	0000	0000	0000	0000	1331+2	4403+0	2516-1	4955-1	5320+2
	1894-3	1875-3	1888-3	1825-3	0000	0000	0000	0000	0000	2672-2	2922-2	2814-2	3172-2	6975+2
	1002+0	9947-1	9989-1	1019+0	0000	0000	0000	0000	0000					
03	2419-1	2411-1	2315-1	2414-1	2560-1	2539-1	1672-1	1561-1	0000	1329+2	4398+0	2513-1	4949-1	6320+2
	1819-3	1813-3	1741-3	1515-3	1926-3	1510-3	1257-3	1174-3	0000	2719-2	3156-2	2766-2	3188-2	6975+2
	9629-1	9593-1	9213-1	9604-1	1019+0	1011+0	6652-1	6210-1	0000					
05	0000	7940-1	4399-1	3625-1	3587-1	0000	0000	0000	0000	1330+2	4400+0	2514-1	4952-1	6320+2
	0000	5969-3	3307-3	2725-3	2696-3	0000	0000	0000	0000	2844-2	3016-2	2737-2	3172-2	6975+2
	0000	3158+0	1749+0	1442+0	1426+0	0000	0000	0000	0000					

PROJ RUN GROUP COMP MACH X/D  
0626 0018 0342 0004 5000+0 6907+0

	1	2	3	4	5	6	7	8	9	10	11	12		
02	2361-1	2426-1	2418-1	2451-1	0000	0000	0000	0000	0000	1331+2	4401+0	2515-1	4952-1	6320+2
	1774-3	1824-3	1817-3	1842-3	0000	0000	0000	0000	0000	2625-2	3000-2	2844-2	3172-2	6975+2
	9387-1	9648-1	9616-1	9747-1	0000	0000	0000	0000	0000					
03	2369-1	2408-1	2294-1	2373-1	2535-1	2552-1	2548-1	1659-1	0000	1329+2	4396+0	2512-1	4947-1	6320+2
	1783-3	1811-3	1726-3	1755-3	1908-3	1920-3	1917-3	1249-3	0000	2641-2	3109-2	2828-2	3156-2	6975+2
	9434-1	9584-1	9130-1	9445-1	1009+0	1016+0	1014+0	6608-1	0000					
05	0000	7808-1	4363-1	3594-1	3548-1	5248-1	0000	0000	0000	1329+2	4398+0	2513-1	4949-1	6320+2
	0000	5872-3	3281-3	2703-3	2668-3	3947-3	0000	0000	0000	2859-2	3063-2	2813-2	3183-2	6975+2
	0000	3107+0	1736+0	1430+0	1412+0	2088+0	0000	0000	0000					

PROJ RUN	GROUP	CONF	PAGE	X/D	1	2	3	4	5	6	7	8	9	Po	q	Pinf	Re	To	
0626	0018	03A3	0004	5000+C	7932+0														
02	2364-1	2329-1	2371-1	2418-1	0000	0000	0000	0000	0000	0000	0000	0000	0000	1330+2	4395+0	2514-1	4951-1	6320+2	
	1777-3	1751-3	1782-3	1818-3	0000	0000	0000	0000	0000	0000	0000	0000	0000	2750-2	3047-2	2613-2	3188-2	6975+2	
	9402-1	9267-1	9425-1	9619-1	0000	0000	0000	0000	0000	0000	0000	0000	0000					6975+2	
03	2369-1	2297-1	2272-1	2348-1	2490-1	2483-1	2546-1	2375-1	0000	0000	0000	0000	0000	1329+2	4396+0	2512-1	4953-1	6315+2	
	1783-3	1728-3	1709-3	1766-3	1874-3	1888-3	1916-3	1737-3	0000	0000	0000	0000	0000	2719-2	3072-2	2813-2	3172-2	6975+2	
	9434-1	9143-1	9045-1	9346-1	9513-1	9685-1	1013+0	9455-1	0000	0000	0000	0000	0000					6975+2	
05	0000	7808-1	4381-1	3614-1	3562-1	5288-1	0000	0000	0000	0000	0000	0000	0000	1329+2	4395+0	2511-1	4951-1	6315+2	
	0000	5876-3	3297-3	2720-3	2685-3	3279-3	0000	0000	0000	0000	0000	0000	0000	2641-2	3109-2	2828-2	3188-2	6975+2	
	0000	3109+0	1745+0	1439+0	1421+0	2106+0	0000	0000	0000	0000	0000	0000	0000					6975+2	

PROJ RUN	GROUP	CONF	PAGE	X/D	1	2	3	4	5	6	7	8	9	Po	q	Pinf	Re	To
0626	0018	03A4	0004	5000+C	9963-1													
02	1698-2	1233-2	2014-2	1799-2	0000	0000	0000	0000	0000	0000	0000	0000	0000	3097+1	1024+0	5854-2	1305-1	5820+2
	5483-4	3979-4	6502-4	5811-4	0000	0000	0000	0000	0000	0000	0000	0000	0000	1766-2	1969-2	1906-2	2125-2	6975+2
	2901-1	2106-1	3443-1	3075-1	0000	0000	0000	0000	0000	0000	0000	0000	0000					6975+2
03	1683-2	1935-2	1952-2	3725-2	5295-2	4973-2	8528-2	6702-2	0000	0000	0000	0000	0000	3091+1	1022+0	5842-2	1302-1	5820+2
	5444-4	6259-4	6316-4	1205-3	1713-3	1609-3	2759-3	2168-3	0000	0000	0000	0000	0000	1781-2	2003-2	1828-2	2172-2	6975+2
	2880-1	3312-1	3342-1	6376-1	9063-1	8511-1	1459+0	1147+0	0000	0000	0000	0000	0000					6975+2
05	0000	1908-1	1029-1	9422-2	5235-2	1029-1	0000	0000	0000	0000	0000	0000	0000	3089+1	1022+0	5839-2	1301-1	5820+2
	0000	6176-3	3528-3	3049-3	2959-3	3331-3	0000	0000	0000	0000	0000	0000	0000	1766-2	2016-2	1828-2	2172-2	6975+2
	0000	3268+0	1874+0	1614+0	1582+0	1762+0	0000	0000	0000	0000	0000	0000	0000					6975+2

PROJ RUN GROUP CONF MACH X/D  
0626 0018 0345 0004 5000+0 1988+0

	1	2	3	4	5	6	7	8	9	Po	q	Pinf	Re	To
02	1963-2	4197-2	5073-2	1925-2	0000	0000	0000	0000	0000	3102+1	1026+0	5863-2	1307-1	5820+2
	6329-4	1353-3	1535-3	6206-4	0000	0000	0000	0000	0000	1516-2	1719-2	1547-2	1906-2	6975+2
	3348-1	7159-1	8653-1	3224-1	0000	0000	0000	0000	0000					6975+2
03	2135-2	3526-2	3674-2	4179-2	4563-2	3953-2	6408-2	6550-2	0000	3107+1	1028+0	5872-2	1307-1	5825+2
	6871-4	1135-3	1183-3	1345-3	1469-3	1272-3	2062-3	2237-3	0000	1422-2	1578-2	1406-2	1641-2	6975+2
	3635-1	6005-1	6257-1	7117-1	7771-1	6732-1	1091+0	1124+0	0000					6975+2
05	0000	1947-1	1095-1	9391-2	9111-2	9506-2	0000	0000	0000	3111+1	1029+0	5881-2	1309-1	5825+2
	0000	6258-3	3518-3	3018-3	2928-3	3055-3	0000	0000	0000	1250-2	1469-2	1266-2	1625-2	6975+2
	0000	3311+0	1261+0	1597+0	1549+0	1616+0	0000	0000	0000					6975+2

PROJ RUN GROUP CONF MACH X/D  
0626 0018 0346 0004 5000+0 2968+0

	1	2	3	4	5	6	7	8	9	Po	q	Pinf	Re	To
02	1932-2	5836-2	5934-2	5087-2	0000	0000	0000	0000	0000	3119+1	1031+0	5894-2	1310-1	5830+2
	6195-4	1871-3	1903-3	1631-3	0000	0000	0000	0000	0000	1188-2	1406-2	1152-2	1609-2	6975+2
	3278-1	9901-1	1007+0	8630-1	0000	0000	0000	0000	0000					6975+2
03	3521-2	4619-2	5427-2	6104-2	6790-2	5622-2	6810-2	5864-2	0000	3126+1	1034+0	5907-2	1313-1	5830+2
	1127-3	1478-3	1736-3	1953-3	2172-3	1582-3	2179-3	1876-3	0000	1156-2	1313-2	1234-2	1547-2	6975+2
	5961-1	7818-1	9166-1	1033+0	1149+0	9953-1	1153+0	9927-1	0000					6975+2
05	0000	1952-1	1027-1	9407-2	9251-2	9443-2	0000	0000	0000	3129+1	1035+0	5913-2	1314-1	5830+2
	0000	6239-3	3474-3	3007-3	2957-3	3018-3	0000	0000	0000	1172-2	1297-2	1094-2	1531-2	6975+2
	0000	3301+0	1838+0	1591+0	1564+0	1597+0	0000	0000	0000					6975+2

PROJ RUN: GROUP COMP NAME X/D  
 0626 0015 0347 0004 5000+0 4972+0

	1	2	3	4	5	6	7	8	9	Pa	q	Rinf	Re	To
02	6170-2	5785-2	6149-2	6214-2	0000	0000	0000	0000	0000	3125+1	1034+0	5906-2	1311-1	5835+2
	1975-3	1253-2	1968-3	1923-3	0000	0000	0000	0000	0000	1076-2	1257-2	1109-2	1453-2	5975+2
	1045+0	5802-1	1041+0	1052+0	0000	0000	0000	0000	0000					
03	6077-2	5965-2	6072-2	7591-2	9251-2	5200-2	5203-2	7595-2	0000	3125+1	1034+0	5916-2	1309-1	5840+2
	1945-3	1907-3	1943-3	2429-3	2960-3	2816-3	2947-3	2422-3	0000	1095+2	1328-2	1094-2	1453-2	5975+2
	1029+0	1009+0	1028+0	1225+0	1565+0	1490+0	1525+0	1303+0	0000					
05	0000	1938-1	1093-1	9485-2	9344-2	5522-2	0000	0000	0000	3120+1	1032+0	5957-2	1307-1	5840+2
	0000	6211-3	3503-3	3040-3	2995-3	3052-3	0000	0000	0000	1109-2	1297-2	1109-2	1453-2	5975+2
	0000	3285+0	1854+0	1609+0	1595+0	1515+0	0000	0000	0000					

PROJ RUN: GROUP COMP NAME X/D  
 0626 0012 0348 0004 5000+0 5207+0

	1	2	3	4	5	6	7	8	9	Pa	q	Rinf	Re	To
02	5874-2	6257-2	6134-2	6119-2	0000	0000	0000	0000	0000	3115+1	1030+0	5889-2	1305-1	5840+2
	1885-3	2008-3	1969-3	1554-3	0000	0000	0000	0000	0000	1047-2	1219-2	1094-2	1453-2	5975+2
	9976-1	1063+0	1042+0	1039+0	0000	0000	0000	0000	0000					
03	5716-2	6054-2	5995-2	6119-2	6432-2	6463-2	7566-2	4514-2	0000	3116+1	1031+0	5889-2	1306-1	5840+2
	1835-3	1943-3	1924-3	1924-3	2064-3	2074-3	2563-3	1449-3	0000	1072-2	1219-2	1072-2	1453-2	5975+2
	9709-1	1025+0	1016+0	1033+0	1052+0	1097+0	1356+0	7565-1	0000					
05	0000	1958-1	1084-1	9376-2	9017-2	5412-2	0000	0000	0000	3111+1	1029+0	5881-2	1302-1	5845+2
	0000	6293-3	3483-3	3013-3	2698-3	3025-3	0000	0000	0000	1078-2	1219-2	1094-2	1453-2	5975+2
	0000	3329+0	1843+0	1594+0	1533+0	1600+0	0000	0000	0000					

FROM RUN GROUP CODE PAGE X/D  
0626 0018 0349 0004 5000+0 7932+0

	1	2	3	4	5	6	7	8	9	PO	Q	PINF	RE	TO
02	5889-2	5425-2	6011-2	6042-2	0000	0000	0000	0000	0000	3109+1	1028+0	5875-2	1301-1	5845+2
	1895-3	1747-3	1934-3	1944-3	0000	0000	0000	0000	0000	1878-2	1803-2	1109-2	1453-2	6975+2
	1003+0	9243-1	1023+0	1028+0	0000	0000	0000	0000	0000					
03	5656-2	5544-2	5872-2	6010-2	6195-2	6322-2	7902-2	5616-2	0000	3107+1	1028+0	5872-2	1300-1	5845+2
	1820-3	1323-3	1850-3	1935-3	1995-3	2035-3	2546-3	1822-3	0000	1016-2	1219-2	1094-2	1453-2	6975+2
	9632-1	9646-1	1000+0	1024+0	1056+0	1077+0	1347+0	9564-1	0000					
05	0000	1944-1	1084-1	2407-2	9017-2	9412-2	0000	0000	0000	3101+1	1026+0	5860-2	1298-1	5845+2
	0000	6270-3	3495-3	3034-3	2908-3	3036-3	0000	0000	0000	1016-2	1219-2	1031-2	1453-2	6975+2
	0000	3316+0	1849+0	1605+0	1539+0	1606+0	0000	0000	0000					

FROM RUN GROUP CODE PAGE X/D  
0626 0018 0350 0004 4030+0 9963+1

	1	2	3	4	5	6	7	8	9	PO	Q	PINF	RE	TO
02	1269-1	2200-2	2255-1	1121-1	0000	0000	0000	0000	0000	7313+1	5261+0	4628-1	4939-1	5830+2
	1737-3	1203-3	3084-3	1533-3	0000	0000	0000	0000	0000	5355-2	5625-2	5094-2	6000-2	6975+2
	2744-1	1922-1	4873-1	2422-1	0000	0000	0000	0000	0000					
03	1269-1	1552-1	2993-1	2562-1	2473-1	1167-1	4111-1	5692-1	0000	7319+1	5266+0	4632-1	4957-1	5820+2
	1733-3	2571-3	3543-3	3500-3	2958-3	1594-3	5616-3	2058-3	0000	5438-2	5734-2	5141-2	6078-2	6975+2
	2738-1	4062-1	5998-1	5531-1	4690-1	2519-1	5874-1	1273+0	0000					
05	0000	1116+0	7061-1	5960-1	6793-1	6682-1	0000	0000	0000	7329+1	5273+0	4638-1	4963-1	5820+2
	0000	1522-2	9634-3	2133-3	9259-3	9417-3	0000	0000	0000	5375-2	5781-2	5281-2	6031-2	6975+2
	0000	2406+0	1522+0	1285+0	1465+0	1441+0	0000	0000	0000					

PROJ RUN GROUP COMP NACH X/D  
0626 0018 0351 0004 4030+0 1985+0

	1	2	3	4	5	6	7	8	9	Po	q	Pinf	Re	To
02	1262-1	4784-1	4749-1	1258-1	0000	0000	0000	0000	0000	7374+1	5303+0	4665-1	4985-1	5825+2
	1739-3	6490-3	6442-3	1707-3	0000	0000	0000	0000	0000	5484-2	5563-2	5047-2	5369-2	6975+2
	2749-1	4026+0	1018+0	2698-1	0000	0000	0000	0000	0000					
03	1790-1	3401-1	4347-1	4708-1	3742-1	1915-1	2736-1	4349-1	0000	7338+1	5279+0	4644-1	4944-1	5840+2
	2839-3	4635-3	5924-3	6416-3	5099-3	2615-3	3729-3	5528-3	0000	5297-2	5931-2	5109-2	5553-2	6975+2
	3855-1	7324-1	9361-1	1014+0	8058-1	4124-1	5892-1	9367-1	0000					
05	0000	1117+0	7053-1	5963-1	6789-1	6685-1	0000	0000	0000	7324+1	5269+0	4635-1	4935-1	5840+2
	0000	1525-2	9629-3	8142-3	9269-3	9134-3	0000	0000	0000	5422-2	5628-2	5063-2	6016-2	6975+2
	0000	2410+0	1522+0	1287+0	1465+0	1443+0	0000	0000	0000					

PROJ RUN GROUP COMP NACH X/D  
0626 0018 0352 0004 4030+0 2968+0

	1	2	3	4	5	6	7	8	9	Po	q	Pinf	Re	To
02	4379-1	4982-1	4932-1	4887-1	0000	0000	0000	0000	0000	7279+1	5236+0	4607-1	4905-1	5840+2
	6017-3	6844-3	6774-3	6713-3	0000	0000	0000	0000	0000	5078-2	5424-2	5016-2	5938-2	6975+2
	9507-1	1081+0	1070+0	1061+0	0000	0000	0000	0000	0000					
03	3711-1	4790-1	4106-1	4536-1	5062-1	4006-1	2716-1	3313-1	0000	7268+1	5229+0	4599-1	4897-1	5840+2
	5107-3	6591-3	5649-3	6241-3	6964-3	5512-3	3737-3	4568-3	0000	5094-2	5609-2	5109-2	5906-2	6975+2
	8069-1	1041+0	8927-1	9861-1	1104+0	8710-1	5906-1	7212-1	0000					
05	0000	1108+0	7004-1	5926-1	6781-1	6627-1	0000	0000	0000	7282+1	5239+0	4609-1	4906-1	5840+2
	0000	1521-2	9618-3	8138-3	9312-3	9100-3	0000	0000	0000	5406-2	5578-2	5125-2	5922-2	6975+2
	0000	2404+0	1519+0	1286+0	1471+0	1438+0	0000	0000	0000					



PROJ RUN GROUP CONF MACH X/D  
0626 0018 0353 0004 4030+0 4972+0

	1	2	3	4	5	6	7	8	9	Po	q	Pinf	Re	To
02	4878-1	4746-1	4553-1	4807-1	0000	0000	0000	0000	0000	7308+1	5258+0	4625-1	4924-1	5340+2
	6876-3	6495-3	6231-3	6577-3	0000	0000	0000	0000	0000	5219-2	5766-2	5016-2	5984-2	6975+2
	1055+0	1026+0	9846-1	1039+0	0000	0000	0000	0000	0000					
03	4779-1	4642-1	4224-1	4548-1	4787-1	4912-1	4246-1	3011-1	0000	7345+1	5285+0	4649-1	4961-1	5530+2
	6506-3	6319-3	5751-3	6192-3	6518-3	6695-3	6597-3	4099-3	0000	5234-2	5688-2	5094-2	5938-2	6975+2
	1028+0	9986-1	9088-1	9785-1	1029+0	1058+0	1042+0	6478-1	0000					
05	0000	1117+0	7067-1	5982-1	6820-1	6685-1	0000	0000	0000	7359+1	5295+0	4658-1	4977-1	5525+2
	0000	1518-2	9603-3	8129-3	9268-3	9089-3	0000	0000	0000	5266-2	5703-2	5141-2	5969-2	6975+2
	0000	2399+0	1517+0	1284+0	1464+0	1436+0	0000	0000	0000					

PROJ RUN GROUP CONF MACH X/D  
0626 0018 0354 0004 4030+0 6907+0

	1	2	3	4	5	6	7	8	9	Po	q	Finf	Re	To
02	4719-1	4599-1	4383-1	4606-1	0000	0000	0000	0000	0000	7343+1	5283+0	4647-1	4966-1	5525+2
	6427-3	6264-3	5969-3	6273-3	0000	0000	0000	0000	0000	5391-2	5531-2	5094-2	6031-2	6975+2
	1016+0	9898-1	9431-1	9912-1	0000	0000	0000	0000	0000					
03	4685-1	4594-1	4311-1	4581-1	4761-1	4829-1	4793-1	4697-1	0000	7324+1	5255+0	4635-1	4954-1	5525+2
	6397-3	6272-3	5885-3	6255-3	6500-3	6594-3	6545-3	6414-3	0000	5141-2	5688-2	5063-2	5938-2	6975+2
	1011+0	9910-1	9299-1	9884-1	1027+0	1042+0	1034+0	1013+0	0000					
05	0000	1124+0	7030-1	5941-1	6789-1	6666-1	0000	0000	0000	7310+1	5259+0	4626-1	4544-1	5525+2
	0000	1538-2	9617-3	8122-3	9287-3	9119-3	0000	0000	0000	5266-2	5609-2	5031-2	6016-2	6975+2
	0000	2430+0	1515+0	1284+0	1468+0	1441+0	0000	0000	0000					

PROJ RUN GROUP CONF MACH X/D  
0626 0018 0355 0004 4030+0 7932+0

	1	2	3	4	5	6	7	8	9	Po	q	Pinf	Re	To
02	4587-1	4473-1	4321-1	4499-1	0000	0000	0000	0000	0000	7303+1	5254+0	4622-1	4939-1	5825+2
	6281-3	6125-3	5917-3	6162-3	0000	0000	0000	0000	0000	5344-2	5594-2	5031-2	5922-2	6975+2
	9925-1	9679-1	9349-1	9736-1	0000	0000	0000	0000	0000					
03	4504-1	4489-1	4283-1	4527-1	4615-1	4659-1	4614-1	4535-1	0000	7306+1	5256+0	4623-1	4941-1	5825+2
	6166-3	6145-3	5863-3	6196-3	6317-3	6377-3	6316-3	6207-3	0000	5281-2	5594-2	4969-2	5844-2	6975+2
	9743-1	9709-1	9264-1	9791-1	9981-1	1002+0	9979-1	9902-1	0000					
05	0000	1121+0	7013-1	5934-1	6789-1	6666-1	0000	0000	0000	7310+1	5259+0	4626-1	4944-1	5825+2
	0000	1534-2	9594-3	8117-3	9287-3	9119-3	0000	0000	0000	5344-2	5594-2	4922-2	5906-2	6975+2
	0000	2423+0	1516+0	1283+0	1462+0	1441+0	0000	0000	0000					

PROJ RUN GROUP CONF MACH X/D  
0626 0018 0356 0004 3950+0 9963-1

	1	2	3	4	5	6	7	8	9	Po	q	Pinf	Re	To
02	3584-2	2418-2	4012-2	3063-2	0000	0000	0000	0000	0000	1361+1	1027+0	9216-2	9519-2	5830+2
	2595-3	1752-3	2906-3	2233-3	0000	0000	0000	0000	0000	2141-2	2406-2	2122-2	2641-2	6975+2
	3888-1	2624-1	4353-1	3346-1	0000	0000	0000	0000	0000					
03	3459-2	4400-2	3751-2	4257-2	5513-2	4389-2	5921-2	1219-1	0000	1395+1	1033+0	9310-2	9617-2	5830+2
	2479-3	3154-3	2689-3	3052-3	3952-3	3104-3	7113-3	8742-3	0000	2141-2	2375-2	2076-2	2641-2	6975+2
	3715-1	4726-1	4029-1	4573-1	5922-1	4650-1	1066+0	1309+0	0000					
05	0000	2236-1	1428-1	1316-1	1302-1	1289-1	0000	0000	0000	1375+1	1022+0	9475-2	9464-2	5830+2
	0000	1627-2	1039-2	9576-3	9472-3	9381-3	0000	0000	0000	2125-2	2344-2	2078-2	2531-2	6975+2
	0000	2437+0	1557+0	1435+0	1419+0	1405+0	0000	0000	0000					

PROJ RUN GROUP CONF MACH X/D  
0626 0018 0357 0004 3990+0 1968+0

	1	2	3	4	5	6	7	8	9	Po	q	Pinf	Re	To
02	3054-2	8325-2	9424-2	2911-2	0000	0000	0000	0000	0000	1365+1	1015+0	9112-2	9399-2	5835+2
	2237-3	6538-3	6903-3	2132-3	0000	0000	0000	0000	0000	1922-2	2213-2	1906-2	2438-2	6975+2
	3352-1	9795-1	1034+0	3195-1	0000	0000	0000	0000	0000					
03	4332-2	6553-2	8686-2	8890-2	7787-2	5773-2	7754-2	8641-2	0000	1364+1	1015+0	9107-2	9394-2	5835+2
	3175-3	4303-3	6366-3	6516-3	5707-3	4231-3	5623-3	6333-3	0000	1906-2	2109-2	1813-2	2359-2	6975+2
	4756-1	7196-1	9538-1	9762-1	6551-1	6339-1	8515-1	9488-1	0000					
05	0000	2223-1	1411-1	1302-1	1289-1	1290-1	0000	0000	0000	1364+1	1015+0	9107-2	9394-2	5835+2
	0000	1629-2	1034-2	9544-3	9451-3	9381-3	0000	0000	0000	1797-2	2016-2	1828-2	2266-2	6975+2
	0000	2442+0	1549+0	1429+0	1416+0	1406+0	0000	0000	0000					

PROJ RUN GROUP CONF MACH X/D  
0626 0018 0358 0004 3990+0 2968+0

	1	2	3	4	5	6	7	8	9	Po	q	Pinf	Re	To
02	5921-2	1034-1	1038-1	1005-1	0000	0000	0000	0000	0000	1364+1	1014+0	9102-2	9377-2	5840+2
	4342-3	7586-3	7609-3	7369-3	0000	0000	0000	0000	0000	1825-2	2000-2	1844-2	2188-2	6975+2
	6505-1	1137+0	1140+0	1104+0	0000	0000	0000	0000	0000					
03	6373-2	9237-2	9854-2	1005-1	1014-1	7498-2	7723-2	6717-2	0000	1363+1	1014+0	9096-2	9372-2	5840+2
	4676-3	6778-3	7230-3	7373-3	7439-3	5502-3	5667-3	4929-3	0000	1781-2	1984-2	1828-2	2188-2	6975+2
	7006-1	1015+0	1083+0	1105+0	1115+0	8243-1	8490-1	7325-1	0000					
05	0000	2197-1	1404-1	1293-1	1271-1	1253-1	0000	0000	0000	1362+1	1013+0	9081-2	9366-2	5840+2
	0000	1613-2	1030-2	9492-3	9330-3	9202-3	0000	0000	0000	1766-2	2016-2	1828-2	2188-2	6975+2
	0000	2417+0	1544+0	1422+0	1398+0	1379+0	0000	0000	0000					

# Contrails

PROJ RUN GROUP CONF NACH X/D  
0626 0018 0359 0004 3990+0 4969+0

	1	2	3	4	5	6	7	8	9	Po	q	Pinf	Re	To
02	9707-2	9596-2	9654-2	9683-2	0000	0000	0000	0000	0000	1362+1	1013+0	9054-2	9378-2	5835+2
	7127-3	7045-3	7088-3	7113-3	0000	0000	0000	0000	0000	1766-2	2047-2	1828-2	2172-2	6975+2
	1068+0	1056+0	1062+0	1066+0	0000	0000	0000	0000	0000					
03	9286-2	9627-2	9424-2	9642-2	1033-1	1005-1	1054-1	6376-2	0000	1366+1	1016+0	9117-2	9405-2	5835+2
	6798-3	7048-3	6899-3	7058-3	7559-3	7361-3	7716-3	4668-3	0000	1766-2	2000-2	1828-2	2188-2	6975+2
	1019+0	1056+0	1034+0	1058+0	1133+0	1103+0	1156+0	6993-1	0000					
05	0000	2213-1	1408-1	1305-1	1296-1	1318-1	0000	0000	0000	1364+1	1015+0	9107-2	9394-2	5835+2
	0000	1622-2	1032-2	9567-3	9497-3	9657-3	0000	0000	0000	1781-2	2000-2	1813-2	2188-2	6975+2
	0000	2429+0	1546+0	1433+0	1423+0	1447+0	0000	0000	0000					

PROJ RUN GROUP CONF NACH X/D  
0626 0018 0360 0004 3990+0 6907+0

	1	2	3	4	5	6	7	8	9	Po	q	Pinf	Re	To
02	9037-2	9081-2	9131-2	9203-2	0000	0000	0000	0000	0000	1369+1	1018+0	9133-2	9433-2	5830+2
	6605-3	6637-3	6674-3	6726-3	0000	0000	0000	0000	0000	1766-2	2000-2	1828-2	2188-2	6975+2
	9895-1	9943-1	9999-1	1008+0	0000	0000	0000	0000	0000					
03	8897-2	9221-2	9039-2	9219-2	9905-2	9709-2	1076-1	9029-2	0000	1367+1	1017+0	9123-2	9423-2	5830+2
	6509-3	6747-3	6614-3	6745-3	7247-3	7104-3	7870-3	6608-3	0000	1766-2	2016-2	1824-2	2188-2	6975+2
	9753-1	1011+0	9909-1	1011+0	1086+0	1064+0	1179+0	9897-1	0000					
05	0000	2228-1	1420-1	1321-1	1305-1	1296-1	0000	0000	0000	1369+1	1018+0	9136-2	9451-2	5825+2
	0000	1627-2	1038-2	9649-3	9533-3	9464-3	0000	0000	0000	1828-2	2094-2	1828-2	2188-2	6975+2
	0000	2438+0	1554+0	1446+0	1428+0	1412+0	0000	0000	0000					

1000

roj run group conf mach x+d  
0626 0018 0361 0004 3990+0 7932+0

	1	2	3	4	5	6	7	8	9	Po	q	Pinf	Re	To
02	9411-2	9783-2	9802-2	9626-2	0000	0000	0000	0000	0000	1369+1	1013+C	9138-2	9475-2	5815+2
	6874-3	7146-3	7164-3	7031-3	0000	0000	0000	0000	0000	1906-2	2109-2	1984-2	2297-2	6975+2
	1029+0	1071+0	1073+0	1053+0	0000	0000	0000	0000	0000					6975+2
03	9582-2	9705-2	9577-2	9751-2	1104-1	1048-1	1156-1	1024-1	0000	1369+1	1015+0	9138-2	9475-2	5815+2
	6999-3	7089-3	6995-3	7122-3	8065-3	7654-3	8445-3	7473-3	0000	1906-2	2141-2	1906-2	2359-2	6975+2
	1049+0	1062+0	1048+0	1067+0	1208+0	1147+0	1265+0	1120+0	0000					6975+2
05	0000	2320-1	1483-1	1388-1	1397-1	1324-1	0000	0000	0000	1372+1	1021+0	9159-2	9505-2	5810+2
	0000	1691-2	1081-2	1012-2	1018-2	9048-3	0000	0000	0000	1922-2	2203-2	2000-2	2375-2	6975+2
	0000	2533+0	1619+0	1516+0	1525+0	1445+0	0000	0000	0000					6975+2

voj run group conf mach x+d  
0626 0018 0362 0004 2950+0 9663-1

	1	2	3	4	5	6	7	8	9	Po	q	Pinf	Re	To
02	5858-2	7006-2	8439-2	5759-2	0000	0000	0000	0000	0000	5975+0	1042+0	1676-1	7015-2	5815+2
	9805-3	1173-2	1413-2	9040-3	0000	0000	0000	0000	0000	5297-2	5547-2	5347-2	5453-2	6975+2
	3495-1	4179-1	5035-1	3436-1	0000	0000	0000	0000	0000					6975+2
03	7276-2	9439-2	9316-2	9782-2	1056-1	7906-2	1343-1	2104-1	0000	6022+0	1050+0	1689-1	7052-2	5825+2
	1208-2	1568-2	1547-2	1625-2	1754-2	1313-2	2231-2	3493-2	0000	5250-2	5575-2	5563-2	5469-2	6975+2
	4307-1	5588-1	5515-1	5791-1	6250-1	4679-1	7953-1	1245+0	0000					6975+2
05	0000	3047-1	2257-1	2260-1	2223-1	2262-1	0000	0000	0000	6042+0	1055+0	1697-1	7065-2	5825+2
	0000	5038-2	3731-2	3737-2	3775-2	3735-2	0000	0000	0000	5255-2	5572-2	5563-2	5469-2	6975+2
	0000	1796+0	1330+0	1322+0	1346+0	1332+0	0000	0000	0000					6975+2

FROM RUM GROUP COMP MACH X/D  
0526 0018 0563 0004 2990+0 1395+0

	1	2	3	4	5	6	7	8	9	To	Re	To		
02	5185-2	2077-1	2046-1	1205-1	0000	0000	0000	0000	0000	6776+0	1050+0	1705-1	7055-2	5835+2
	8539-3	3418-2	3367-2	1983-2	0000	0000	0000	0000	0000	4703-2	4953-2	1513-2	4922-2	6975+2
	3044-1	1218+0	1200+0	7052-1	0000	0000	0000	0000	0000					5975+2
03	1165-1	1679-1	1903-1	1926-1	1844-1	1307-1	1155-1	1317-1	0000	5236+0	1061+0	1707-1	7109-2	5935+2
	1945-2	2759-2	3127-2	2273-2	3033-2	2472-2	1572-2	2164-2	0000	4641-2	4875-2	4734-2	4853-2	6975+2
	5827-1	9834-1	1115+0	1169+0	1083+0	7654-1	6753-1	7715-1	0000					6975+2
05	0000	3015-1	2251-1	2254-1	2255-1	2257-1	0000	0000	0000	6093+0	1063+0	1709-1	7112-2	5835+2
	0000	4947-2	3694-2	3699-2	3712-2	3719-2	0000	0000	0000	4541-2	4844-2	4734-2	4891-2	6975+2
	0000	1763+0	1317+0	1313+0	1326+0	1326+0	0000	0000	0000					5975+2

FROM RUM GROUP COMP MACH X/D  
0626 0018 0364 0004 2980+0 2954+0

	1	2	3	4	5	6	7	8	9	To	Re	To		
02	2026-1	1950-1	1540-1	2014-1	0000	0000	0000	0000	0000	6050+0	1062+0	1709-1	7105-2	5840+2
	3326-2	3202-2	3155-2	3302-2	0000	0000	0000	0000	0000	4547-2	4727-2	4750-2	4906-2	6975+2
	1186+0	1142+0	1135+0	1179+0	0000	0000	0000	0000	0000					6975+2
03	1726-1	1916-1	1874-1	1906-1	1979-1	1829-1	1345-1	1139-1	0000	6056+0	1061+0	1707-1	7056-2	5840+2
	2837-2	3149-2	3079-2	3133-2	3253-2	3006-2	2210-2	1871-2	0000	4515-2	4828-2	4719-2	4813-2	6975+2
	1011+0	1122+0	1098+0	1117+0	1159+0	1071+0	7576-1	6669-1	0000					6975+2
05	0000	2959-1	2228-1	2238-1	2250-1	2262-1	0000	0000	0000	6084+0	1061+0	1707-1	7056-2	5840+2
	0000	4929-2	3661-2	3675-2	3699-2	3718-2	0000	0000	0000	4516-2	4844-2	4656-2	4797-2	6975+2
	0000	1757+0	1305+0	1311+0	1318+0	1325+0	0000	0000	0000					6975+2

MPRAJ RUN: GROUP CONF MACH X/D  
0626 0018 0355 0004 2980+0 4972+0

	1	2	3	4	5	6	7	8	9	PO	q	Pinf	Re	To
02	1762-1	1755-1	1779-1	1775-1	0000	0000	0000	0000	0000	6551+0	1055+0	1698-1	7059-2	5835+2
	2912-2	2901-2	2939-2	2933-2	0000	0000	0000	0000	0000	4500-2	4750-2	4656-2	4641-2	6975+2
	1036+0	1034+0	1046+0	1045+0	0000	0000	0000	0000	0000					
03	1770-1	1785-1	1754-1	1762-1	1824-1	1826-1	1569-1	1716-1	0000	6556+0	1056+0	1698-1	7074-2	5835+2
	2923-2	2945-2	2896-2	2910-2	3011-2	3015-2	3057-2	2833-2	0000	4516-2	4813-2	4656-2	4556-2	6975+2
	1042+0	1051+0	1032+0	1037+0	1075+0	1075+0	1100+0	1009+0	0000					
05	0000	3013-1	2215-1	2227-1	2216-1	2224-1	0000	0000	0000	6033+0	1056+0	1698-1	7071-2	5835+2
	0000	4578-2	3659-2	3679-2	3661-2	3675-2	0000	0000	0000	4516-2	4734-2	4656-2	4797-2	6975+2
	0000	1774+0	1305+0	1312+0	1305+0	1309+0	0000	0000	0000					

PROJ RUN: GROUP CONF MACH X/D  
0626 0015 0366 0004 2980+0 5903+0

	1	2	3	4	5	6	7	8	9	PO	q	Pinf	Re	To
02	1687-1	1694-1	1711-1	1689-1	0000	0000	0000	0000	0000	6040+0	1053+0	1695-1	7056-2	5835+2
	2794-2	2805-2	2833-2	2796-2	0000	0000	0000	0000	0000	4515-2	4734-2	4625-2	4781-2	6975+2
	9958-1	9959-1	1009+0	9966-1	0000	0000	0000	0000	0000					
03	1689-1	1713-1	1694-1	1701-1	1772-1	1749-1	1522-1	1700-1	0000	6037+0	1053+0	1694-1	7052-2	5835+2
	2798-2	2843-2	2806-2	2826-2	2936-2	2897-2	3017-2	2816-2	0000	4515-2	4719-2	4641-2	4734-2	6975+2
	9972-1	1015+0	1000+0	1005+0	1046+0	1033+0	1076+0	1004+0	0000					
05	0000	2965-1	2217-1	2205-1	2221-1	2235-1	0000	0000	0000	6029+0	1051+0	1692-1	7043-2	5835+2
	0000	4917-2	3677-2	3658-2	3683-2	3707-2	0000	0000	0000	4500-2	4750-2	4672-2	4734-2	6975+2
	0000	1753+0	1311+0	1304+0	1313+0	1321+0	0000	0000	0000					

PROJ RUN GEOTF CONF NACH X/D  
0626 CC1E 0367 0004 2980+0 7932+0

	1	2	3	4	5	6	7	8	9	Po	q	Pinf	Re	To
02	1719-1	1648-1	1699-1	1722-1	0000	0000	0000	0000	0000	6025+0	1021+0	1690-1	7047-2	5830+2
	2853-2	2735-2	2819-2	2558-2	0000	0000	0000	0000	0000	4500-2	4719-2	4656-2	4734-2	6975+2
	1017+0	9749-1	1005+0	1019+0	0000	0000	0000	0000	0000					
03	1726-1	1665-1	1673-1	1686-1	1777-1	1785-1	1809-1	1702-1	0000	6020+0	1049+0	1689-1	7041-2	5830+2
	2868-2	2766-2	2778-2	2800-2	2952-2	2965-2	3005-2	2827-2	0000	4424-2	4734-2	4594-2	4734-2	6975+2
	1022+0	9358-1	9903-1	9921-1	1052+0	1057+0	1071+0	1006+0	0000					
05	0000	2333-1	2202-1	2210-1	2227-1	2223-1	0000	0000	0000	6020+0	1049+0	1689-1	7041-2	5830+2
	0000	4873-2	3667-2	3671-2	3699-2	3692-2	0000	0000	0000	4424-2	4719-2	4656-2	4672-2	6975+2
	0000	1737+0	1307+0	1309+0	1319+0	1316+0	0000	0000	0000					

PROJ RUN GEOTF CONF NACH X/D  
0626 001E 03EE 000A 3000+0 9963-1

	1	2	3	4	5	6	7	8	9	Po	q	Pinf	Re	To
02	3449-1	5027-1	6152-1	3144-1	0000	0000	0000	0000	0000	4282+1	7344+0	1166+0	4976-1	5815+2
	8056-3	1174-2	1437-2	7343-3	0000	0000	0000	0000	0000	4664-1	3970-1	4538-1	4242-1	6975+2
	2959-1	4312-1	5277-1	2697-1	0000	0000	0000	0000	0000					
03	4671-1	6555-1	6693-1	6763-1	6815-1	4709-1	7815-1	1362+0	0000	4309+1	7391+0	1173+0	5001-1	5820+2
	1084-2	1521-2	1553-2	1569-2	1582-2	1093-2	4813-2	3451-2	0000	4661-1	3953-1	4009-1	4267-1	6975+2
	3982-1	5527-1	5705-1	5765-1	5822-1	4014-1	6661-1	1151+0	0000					
05	0000	1999+0	1472+0	1358+0	1567+0	1465+0	0000	0000	0000	4335+1	7434+0	1180+0	5029-1	5820+2
	0000	4613-2	3409-2	3132-2	3616-2	3388-2	0000	0000	0000	4706-1	4000-1	4839-1	4291-1	6975+2
	0000	1694+0	1252+0	1151+0	1322+0	1245+0	0000	0000	0000					



PROJ RUN GROUP CONF MACH X/D  
0626 0018 0369 0004 3000+C 1988+0

	1	2	3	4	5	6	7	8	9	Po	q	Pinc	Re	To
02	2968-1	1293+0	1290+0	6222-1	0000	0000	0000	0000	0000	4317+1	7405+0	1175+0	5010-1	5820+2
	6875-3	2995-2	2989-2	1441-2	0000	0000	0000	0000	0000	3008-1	2497-1	3091-1	2792-1	6975+2
	2525-1	1100+0	1098+C	5293-1	0000	0000	0000	0000	0000					6975+2
03	7778-1	1082+0	1263+0	1301+0	1169+0	819+1	6397-1	5811-1	0000	4319+1	7407+0	1176+0	5012-1	5820+2
	1801-2	2506-2	2925-2	3013-2	2708-2	1897-2	1451-2	1954-2	0000	3003-1	2475-1	3086-1	2755-1	6975+2
	6615-1	9204-1	1075+0	1107+0	9946-1	6963-1	5441-1	7324-1	0000					6975+2
05	0000	1996+0	1468+0	1352+0	1554+0	1462+0	0000	0000	0000	4300+1	7375+0	1171+0	4990-1	5820+2
	0000	1643-2	3414-2	3145-2	3614-2	3393-2	0000	0000	0000	2974-1	2452-1	3064-1	2742-1	6975+2
	0000	1705+0	1254+0	1155+0	1327+0	1249+0	0000	0000	0000					6975+2

PROJ RUN GROUP CONF MACH X/D  
0626 0018 0370 0004 3000+0 2989+0

	1	2	3	4	5	6	7	8	9	Po	q	Pinc	Re	To
02	1311+0	1267+0	1245+0	1294+0	0000	0000	0000	0000	0000	4292+1	7362+0	1165+0	4975-1	5825+2
	3054-2	2952-2	2900-2	3015-2	0000	0000	0000	0000	0000	2959-1	2442-1	3050-1	2720-1	6975+2
	1122+0	1084+0	1065+0	1108+0	0000	0000	0000	0000	0000					6975+2
03	1186+0	1238+0	1227+0	1241+0	1274+0	1154+0	7931-1	7402-1	0000	4294+1	7364+0	1169+0	4976-1	5825+2
	2763-2	2884-2	2856-2	2891-2	2966-2	2780-2	1247-2	1724-2	0000	2964-1	2459-1	3064-1	2738-1	6975+2
	1015+0	1059+0	1049+0	1062+0	1089+0	1021+0	6784-1	6332-1	0000					6975+2
05	0000	1993+0	1473+0	1356+0	1559+0	1466+0	0000	0000	0000	4306+1	7366+0	1172+0	4984-1	5830+2
	0000	4627-2	3420-2	3149-2	3621-2	3403-2	0000	0000	0000	2983-1	2483-1	3079-1	2750-1	6975+2
	0000	1699+0	1256+0	1157+0	1330+0	1250+0	0000	0000	0000					6975+2

PROJ FUN GROUP CONF PAGE X/D  
0626 0018 C371 0004 3000+0 4972+0

	1	2	3	4	5	6	7	8	9	Po	q	Pinf	Pe	To
02	1195+0	1177+0	1170+0	1184+0	0000	0000	0000	0000	0000	4317+1	7405+0	1175+0	4927-1	5830+2
	2777-2	2725-2	2711-2	2743-2	0000	0000	0000	0000	0000	2959-1	2487-1	3073-1	2781-1	6975+2
	1023+0	1001+0	9957-1	1007+0	0000	0000	0000	0000	0000					
03	1247+0	1184+0	1152+0	1175+0	1213+0	1220+0	1209+0	1153+0	0000	4317+1	7405+0	1175+0	4927-1	5830+2
	2889-2	2743-2	2688-2	2721-2	2609-2	2627-2	2602-2	2671-2	0000	2959-1	2472-1	3073-1	2781-1	6975+2
	1061+0	1008+0	9799-1	9995-1	1032+0	1038+0	1029+0	9813-1	0000					
05	0000	1998+0	1475+0	1360+0	1566+0	1466+0	0000	0000	0000	4329+1	7425+0	1179+0	5011-1	5830+2
	0000	4615-2	3408-2	3142-2	3617-2	3391-2	0000	0000	0000	2994-1	2478-1	3084-1	2756-1	6975+2
	0000	1695+0	1292+0	1154+0	1329+0	1246+0	0000	0000	0000					

PROJ FUN GROUP CONF PAGE X/D  
0626 001E C372 0004 3000+0 6907+0

	1	2	3	4	5	6	7	8	9	Po	q	Pinf	Pe	To
02	1156+0	1149+0	1143+0	1140+0	0000	0000	0000	0000	0000	4316+1	7402+0	1175+0	5002-1	5825+2
	2879-2	2663-2	2649-2	2642-2	0000	0000	0000	0000	0000	2983-1	2479-1	3089-1	2759-1	6975+2
	9839-1	9782-1	9731-1	9706-1	0000	0000	0000	0000	0000					
03	1206+0	1158+0	1137+0	1154+0	1178+0	1157+0	1162+0	1159+0	0000	4316+1	7406+0	1176+0	5004-1	5825+2
	2793-2	2681-2	2631-2	2672-2	2726-2	2703-2	2705-2	2709-2	0000	2985-1	2494-1	3070-1	2756-1	6975+2
	1026+0	9849-1	9674-1	9814-1	1002+0	9929-1	9941-1	9950-1	0000					
05	0000	1995+0	1474+0	1358+0	1565+0	1459+0	0000	0000	0000	4313+1	7398+0	1174+0	4993-1	5825+2
	0000	4625-2	3416-2	3147-2	3628-2	3403-2	0000	0000	0000	2979-1	2459-1	3070-1	2756-1	6975+2
	0000	1699+0	1255+0	1156+0	1333+0	1251+0	0000	0000	0000					

PROJ RUN: GROUP CONF NACH X/D  
0626 0-16 0373 0004 3000+0 7932+0

	1	2	3	4	5	6	7	8	9	Po	q	Pinf	Re	To
02	113+0	112+0	112+0	112+0	0000	0000	0000	0000	0000	4309+1	7391+0	1173+0	4995-1	5825+2
	2603-2	2603-2	2579-2	2614-2	0000	0000	0000	0000	0000	2991-1	2470-1	3064-1	2747-1	6975+2
	9705-1	9563-1	9476-1	9600-1	0000	0000	0000	0000	0000					
03	118+0	1131+0	1103+0	1125+0	1149+0	1148+0	1178+0	1101+0	0000	4327+1	7421+0	1178+0	5014-1	5825+2
	2740-2	2615-2	2548-2	2601-2	2656-2	2654-2	2709-2	2545-2	0000	2989-1	2466-1	3082-1	2752-1	6975+2
	1007+0	9605-1	9360-1	9535-1	9756-1	9749-1	9924-1	9348-1	0000					
05	0000	1993+0	1474+0	1358+0	1562+0	1469+0	0000	0000	0000	4319+1	7409+0	1176+0	5006-1	5825+2
	0000	4614-2	3412-2	3143-2	3616-2	3400-2	0000	0000	0000	2984-1	2464-1	3070-1	2753-1	6975+2
	0000	1695+0	1253+0	1154+0	1328+0	1249+0	0000	0000	0000					

PROJ RUN: GROUP CONF NACH X/D  
0626 0018 0374 0004 2000+0 9963-1

	1	2	3	4	5	6	7	8	9	Po	q	Pinf	Re	To
02	1301+0	1541+0	1939+0	1354+0	0000	0000	0000	0000	0000	1906+1	6819+0	2436+0	3693-1	5795+2
	6826-2	8088-2	8081-2	7104-2	0000	0000	0000	0000	0000	1511+0	1399+0	1220+0	1422+0	6975+2
	5341-1	6322-1	6323-1	5552-1	0000	0000	0000	0000	0000					
03	1511+0	1652+0	1524+0	1534+0	1624+0	1561+0	1759+0	2166+0	0000	1855+1	6794+0	2427+0	3675-1	5800+2
	7957-2	8702-2	8025-2	8077-2	8955-2	8223-2	9265-2	1141-1	0000	1502+0	1384+0	1215+0	1419+0	6975+2
	6225-1	6808-1	6279-1	6319-1	6940-1	6434-1	7249-1	8928-1	0000					
05	0000	3054+0	2634+0	2719+0	2956+0	2713+0	0000	0000	0000	1900+1	6800+0	2429+0	3673-1	5800+2
	0000	1607-1	1386-1	1431-1	1556-1	1428-1	0000	0000	0000	1503+0	1383+0	1216+0	1423+0	6975+2
	0000	1257+0	1085+0	1119+0	1217+0	1117+0	0000	0000	0000					

FROM RUN GROUP CONF MACH X/D  
062E 0016 0375 0004 2000+C 1988+0

	1	2	3	4	5	6	7	8	9	Po	q	Pinf	Pe	To
02	2534+0	2492+0	2530+0	2603+0	0000	0000	0000	0000	0000	1881+1	6733+0	2405+0	3623-1	5810+2
	1347-1	1328-1	1345-1	1383-1	0000	0000	0000	0000	0000	1176+0	1125+0	1125+0	1145+0	6975+2
	1054+0	1039+0	1052+0	1082+0	0000	0000	0000	0000	0000					6975+2
03	2212+0	2522+0	2455+0	2581+0	2586+0	2248+C	1265+C	178-+C	0000	1897+1	6789+0	2425+0	3663-1	5810+2
	1166-1	1335-1	1294-1	1360-1	1363-1	1125-1	9531-2	9403-2	0000	1179+0	1129+0	1195+0	1147+0	6975+2
	9123-1	1044+0	1013+0	1064+0	1067+0	9272-1	7692-1	7357-1	0000					6975+2
05	0000	3039+0	2622+0	2709+0	2948+0	2699+0	0000	0000	0000	1899+1	6794+0	2427+0	3662-1	5815+2
	0000	1601-1	1381-1	1427-1	1553-1	1421-1	0000	0000	0000	1177+0	1125+0	1125+0	1146+0	6975+2
	0000	1253+0	1060+0	1116+0	1215+0	1112+0	0000	0000	0000					6975+2

FROM RUN GROUP CONF MACH X/D  
062E 0018 037E 0004 2000+C 2964+C

	1	2	3	4	5	6	7	8	9	Po	q	Pinf	Pe	To
02	2627+0	2948+0	2536+C	2573+0	0000	0000	0000	0000	0000	1902+1	6806+0	2431+0	3665-1	5815+2
	1381-1	1340-1	1334-1	1353-1	0000	0000	0000	0000	0000	1178+0	1129+0	1125+0	1146+0	6975+2
	1021+0	1048+0	1043+C	1059+0	0000	0000	0000	0000	0000					6975+2
03	2657+0	2651+0	2528+C	2582+0	2646+0	2591+C	2444+0	2059+0	0000	1899+1	6797+0	2422+0	3663-1	5815+2
	1399-1	1396-1	1331-1	1359-1	1393-1	1364-1	1257-1	1054-1	0000	1179+0	1125+0	1194+0	1145+0	6975+2
	1094+0	1092+0	1041+0	1063+0	1090+0	1067+0	1007+0	8481-1	0000					6975+2
05	0000	3049+0	2633+C	2713+0	2957+0	2705+0	0000	0000	0000	1899+1	6797+0	2422+0	3663-1	5815+2
	0000	1605-1	1386-1	1428-1	1557-1	1424-1	0000	0000	0000	1179+0	1125+0	1195+0	1147+0	6975+2
	0000	1256+0	1089+0	1118+0	1212+0	1114+0	0000	0000	0000					6975+2

FRGT RUN GROUP COMP MACH X/D  
062E C01E 0377 C004 2000+C 4969+0

	1	2	3	4	5	6	7	8	9	Po	q	Pinf	Re	To
02	2453+0	2456+0	2455+C	2477+0	0000	0000	0000	0000	0000	1906+1	6519+C	2426+C	3571-1	5820+2
	1287-1	1289-1	1309-1	1299-1	0000	0000	0000	0000	0000	1177+0	1125+0	1199+C	1147+0	6975+2
	1007+0	1008+0	1024+C	1017+0	0000	0000	0000	0000	0000					
03	2563+C	2537+0	2437+0	2497+0	2583+0	2554+C	2463+0	2525+0	0000	1899+1	6794+0	2427+C	3657-1	5820+2
	1349-1	1336-1	1284-1	1315-1	1360-1	1345-1	1297-1	1332-1	0000	1179+0	1129+0	1200+0	1146+C	6975+2
	1056+0	1045+0	1004+0	1029+0	1064+0	1053+C	1015+0	1041+0	0000					
05	0000	3049+0	2636+0	2714+0	2956+0	2706+0	0000	0000	0000	1897+1	6799+0	2425+0	3654-1	5820+2
	0000	1607-1	1389-1	1431-1	1558-1	1427-1	0000	0000	0000	1179+0	1128+0	1200+0	1146+C	6975+2
	0000	1257+0	1087+C	1119+0	1219+0	1116+C	0000	0000	0000					

FRGT RUN GROUP COMP MACH X/D  
062E C01E 037E C004 2000+C 5907+C

	1	2	3	4	5	6	7	8	9	Po	q	Pinf	Re	To
02	2434+0	2400+0	2387+C	2431+0	0000	0000	0000	0000	0000	1890+1	6764+0	2415+C	3641-1	5820+2
	1288-1	1269-1	1263-1	1286-1	0000	0000	0000	0000	0000	1172+0	1123+0	1151+C	1145+0	6975+2
	1008+0	9936-1	9881-1	1006+0	0000	0000	0000	0000	0000					
03	2545+0	2429+0	2361+C	2443+C	2466+0	2456+0	2527+0	2479+0	0000	1892+1	6769+C	2415+C	3644-1	5820+2
	1345-1	1284-1	1248-1	1291-1	1304-1	1319-1	1336-1	1311-1	0000	1172+0	1120+0	1191+C	1135+0	6975+2
	1053+0	1005+0	9768-1	1010+0	1019+0	1032+C	1045+0	1026+0	0000					
05	0000	3017+0	2609+C	2689+0	2933+0	2679+0	0000	0000	0000	1987+1	6752+C	2413+C	3639-1	5815+2
	0000	1599-1	1382-1	1425-1	1554-1	1415-1	0000	0000	0000	1169+0	1116+0	1159+C	1135+0	6975+2
	0000	1251+0	1082+0	1115+0	1216+0	1111+0	0000	0000	0000					

FROM RUN GROUP CONF MACH X/D  
 0622 0015 0379 0004 2000+0 7932+0

	1	2	3	4	5	6	7	8	9	Po	q	Pinf	Fe	To
02	2444+0	2426+0	2436+0	2430+0	0000	0000	0000	0000	0000	1502+1	6806+0	2431+0	3663-1	5820+2
	1285-1	1276-1	1281-1	1278-1	0000	0000	0000	0000	0000	1174+0	1125+0	1142+0	1145+0	6975+2
	1006+0	9960-1	1002+0	9958-1	0000	0000	0000	0000	0000					6975+2
03	2522+0	2442+0	2402+0	2448+0	2491+0	2429+0	2411+0	2503+0	0000	1506+1	6822+0	2437+0	3672-1	5820+2
	1323-1	1251-1	1253-1	1284-1	1307-1	1274-1	1265-1	1316-1	0000	1181+0	1127+0	1201+0	1150+0	6975+2
	1035+0	1002+0	9881-1	1005+0	1023+0	9969-1	9996-1	1029+0	0000					6975+2
05	0000	3049+0	2636+0	2716+0	2962+0	2709+0	0000	0000	0000	1906+1	6822+0	2437+0	3672-1	5820+2
	0000	1595-1	1322-1	1425-1	1554-1	1421-1	0000	0000	0000	1183+0	1129+0	1195+0	1149+0	6975+2
	0000	1251+0	1022+0	1115+0	1216+0	1112+0	0000	0000	0000					6975+2

FROM RUN GROUP CONF MACH X/D  
 0622 0018 0380 0004 2000+0 9963-1

	1	2	3	4	5	6	7	8	9	Po	q	Pinf	Fe	To
02	2001-1	2662-1	2696-1	2262-1	0000	0000	0000	0000	0000	2759+0	1002+0	3577-1	5375-2	5030+2
	7149-2	9511-2	9635-2	5061-2	0000	0000	0000	0000	0000	2287-1	2039-1	2282-1	2287-1	6975+2
	5593-1	7442-1	7538-1	5323-1	0000	0000	0000	0000	0000					6975+2
03	2529-1	2824-1	2684-1	2533-1	2995-1	2660-1	2799-1	3243-1	0000	2805+0	1024+0	3555-1	5354-2	5835+2
	9016-2	1007-1	9569-2	1010-1	1069-1	9483-2	9982-2	1192-1	0000	2254-1	2035-1	2203-1	2254-1	6975+2
	7054-1	7678-1	7487-1	7903-1	8267-1	7421-1	7510-1	9325-1	0000					6975+2
05	0000	4668-1	4031-1	4524-1	4625-1	4081-1	0000	0000	0000	2815+0	1028+0	3529-1	5411-2	5030+2
	0000	1059-1	1031-1	1010-1	1047-1	1035-1	0000	0000	0000	2275-1	2033-1	2308-1	2340-1	6975+2
	0000	1297+0	1120+0	1259+0	1285+0	1217+0	0000	0000	0000					6975+2

FROM RUN GROUP CONF MACH X/D  
 0625 0018 0381 0004 2000+0 1000+0

	1	2	3	4	5	6	7	8	9	To	q	Pin#	Se	To
01	431-1	427-1	430-1	437-1	0000	0000	0000	0000	0000	2500+0	1000+0	3550-1	5000-2	500+2
	1778-1	1552-1	1533-1	1555-1	0000	0000	0000	0000	0000	1767+1	1605-1	1773-1	1730-1	5975+2
	1235+0	1101+0	1155+0	1245+0	0000	0000	0000	0000	0000					
02	3814-1	4224-1	4051-1	4256-1	4385-1	3504-1	3060-1	2881-1	0000	2799+0	1000+0	3577-1	5070-2	5830+2
	1363-1	1500-1	1462-1	1535-1	1597-1	1295-1	1097-1	1000-1	0000	1755-1	1584-1	1761-1	1811-1	5975+2
	1066+0	1151+0	1144+0	1201+0	1226+0	1092+0	930-1	805-1	0000					
05	0000	4287-1	3997-1	4495-1	4538-1	4285-1	0000	0000	0000	2789+0	9982-1	3565-1	5351-2	5835+2
	0000	1645-1	1433-1	1512-1	1587-1	1539-1	0000	0000	0000	1742-1	1551-1	1756-1	1757-1	6975+2
	0000	1287+0	1121+0	1261+0	1273+0	1205+0	0000	0000	0000					

FROM RUN GROUP CONF MACH X/D  
 0626 0018 0382 0004 2000+0 2500+0

	1	2	3	4	5	6	7	8	9	To	q	Pin#	Se	To
02	4266-1	4211-1	4206-1	4229-1	0000	0000	0000	0000	0000	2790+0	1000+0	3573-1	5356-2	5835+2
	1533-1	1517-1	1505-1	1513-1	0000	0000	0000	0000	0000	1742-1	1572-1	1753-1	1712-1	6975+2
	1199+0	1167+0	1177+0	1154+0	0000	0000	0000	0000	0000					
03	4261-1	4303-1	4205-1	4301-1	4386-1	4220-1	4219-1	3934-1	0000	2801+0	1005+0	3531-1	5323-2	5635+2
	1517-1	1532-1	1496-1	1531-1	1561-1	1539-1	1502-1	1400-1	0000	1742-1	1592-1	1773-1	1502-1	6975+2
	1187+0	1198+0	1171+0	1192+0	1221+0	1205+0	1175+0	1056+0	0000					
05	0000	4631-1	4017-1	4512-1	4602-1	4359-1	0000	0000	0000	2814+0	1007+0	3597-1	5402-2	5835+2
	0000	1416-1	1427-1	1403-1	1535-1	1542-1	0000	0000	0000	1753-1	1592-1	1783-1	1511-1	6975+2
	0000	1286+0	1117+0	1255+0	1279+0	1200+0	0000	0000	0000					

PROJ RUN GROUP COMP PAGE X/D  
0626 001E 0353 0004 2000+0 6907+0

	1	2	3	4	5	6	7	8	9	Pa	q	Prnt	Re	To
02	4257-1	4253-1	4331-1	4257-1	0000	0000	0000	0000	0000	2817+0	1005+0	3601-1	5403-2	5835+2
	1511-1	1509-1	1537-1	1522-1	0000	0000	0000	0000	0000	1715-1	1592-1	1755-1	1755-1	6975+2
	1192+0	1181+0	1203+0	1191+0	0000	0000	0000	0000	0000					
03	3992-1	4113-1	4232-1	4251-1	4185-1	4043-1	4119-1	4077-1	0000	2816+0	1008+0	3592-1	5405-2	5835+2
	1118-1	1161-1	1503-1	1503-1	1456-1	1435-1	1463-1	1418-1	0000	1712-1	1583-1	1783-1	1503-1	6975+2
	1109+0	1143+0	1176+0	1181+0	1163+0	1124+0	1144+0	1133+0	0000					
05	0000	4662-1	3999-1	4424-1	4537-1	4259-1	0000	0000	0000	2754+0	9956-1	3571-1	5257-2	5840+2
	0000	1669-1	1431-1	1605-1	1624-1	1524-1	0000	0000	0000	1727-1	1579-1	1773-1	1729-1	6975+2
	0000	1306+0	1119+0	1256+0	1270+0	1193+0	0000	0000	0000					

PROJ RUN GROUP COMP PAGE X/D  
0626 001E 0354 0004 2000+0 6907+0

	1	2	3	4	5	6	7	8	9	Pa	q	Prnt	Re	To
02	4102-1	4086-1	4234-1	4052-1	0000	0000	0000	0000	0000	2835+0	1014+0	3623-1	5434-2	5840+2
	1448-1	1442-1	1458-1	1429-1	0000	0000	0000	0000	0000	1750-1	1592-1	1203-1	1202-1	6975+2
	1133+0	1128+0	1141+0	1119+0	0000	0000	0000	0000	0000					
03	3836-1	4054-1	3977-1	4074-1	4060-1	3882-1	3939-1	4047-1	0000	2788+0	9976-1	3563-1	5344-2	5840+2
	1359-1	1454-1	1427-1	1461-1	1456-1	1393-1	1413-1	1452-1	0000	1717-1	1570-1	1772-1	1761-1	6975+2
	1095+0	1138+0	1116+0	1144+0	1139+0	1089+0	1106+0	1136+0	0000					
05	0000	4676-1	4038-1	4528-1	4656-1	4339-1	0000	0000	0000	2828+0	1012+0	3615-1	5422-2	5840+2
	0000	1653-1	1428-1	1601-1	1646-1	1534-1	0000	0000	0000	1750-1	1594-1	1797-1	1500-1	6975+2
	0000	1294+0	1117+0	1253+0	1288+0	1200+0	0000	0000	0000					



PROJ RUN GROUP CONV NACH X/D  
0626 0018 0385 C0C4 2000+0 7932+0

	1	2	3	4	5	6	7	8	9	Po	q	Pinf	Re	To
02	3969-1	3553-1	4012-1	3559-1	0000	0000	0000	0000	0000	2783+0	9959-1	3557-1	5336-2	5840+2
	1426-1	1435-1	1442-1	1423-1	0000	0000	0000	0000	0000	1717-1	1572-1	1791-1	1772-1	5975+2
	1116+0	1123+0	1126+0	1113+0	0000	0000	0000	0000	0000					
03	3937-1	3556-1	3919-1	3972-1	4038-1	4014-1	4037-1	3944-1	0000	2772+0	9920-1	3543-1	5315-2	5840+2
	1420-1	1431-1	1414-1	1433-1	1457-1	1448-1	1456-1	1423-1	0000	1708-1	1573-1	1773-1	1764-1	5975+2
	1111+0	1119+0	1106+0	1121+0	1139+0	1133+0	1139+0	1113+0	0000					
05	0000	4612-1	3991-1	4470-1	4541-1	4286-1	0000	0000	0000	2789+0	9982-1	3565-1	5348-2	5840+2
	0000	1654-1	1431-1	1603-1	1628-1	1536-1	0000	0000	0000	1722-1	1577-1	1783-1	1769-1	5975+2
	0000	1294+0	1119+0	1254+0	1274+0	1202+0	0000	0000	0000					

PROJ RUN GROUP CONV NACH X/D  
0626 0019 0386 0005 2000+0 1000+0

	1	2	3	4	5	6	7	8	9	Po	q	Pinf	Re	To
02	1415+0	1584+0	1578+0	1418+0	0000	0000	0000	0000	0000	1885+1	6747+0	2409+0	3636-1	5815+2
	7505-2	8403-2	8372-2	7520-2	0000	0000	0000	0000	0000	1545+0	1555+0	1532-4	2500-3	6975+2
	5873-1	6574-1	6550-1	5584-1	0000	0000	0000	0000	0000					
03	0000	1419+0	1558+0	1584+0	1485+0	1705+0	2262+0	2982+0	0000	1895+1	6780+0	2422+0	3649-1	5820+2
	0000	7492-2	8221-2	8362-2	7836-2	5996-2	1194-1	1574-1	0000	1541+0	1567+0	4688-4	2500-3	6975+2
	0000	5862-1	6432-1	6543-1	6131-1	7039-1	9343-1	1232+0	0000					
05	0000	1565+0	2227+0	0000	3603+0	4707+0	2077+0	0000	0000	1902+1	6806+0	2431+0	3663-1	5820+2
	0000	8232-2	1171-1	0000	1895-1	2475-1	1092-1	0000	0000	1554+0	1552+0	4682-4	2500-3	6975+2
	0000	6441-1	9164-1	0000	1482+0	1937+0	8545-1	0000	0000					

PROJ RUN GROUP CONF MACH X/D  
 0526 0019 0387 0005 2000+0 1950+0

	1	2	3	4	5	6	7	8	9	Po	q	Pinf	Re	To
02	2492+0	2691+0	2665+0	2611+0	0000	0000	0000	0000	0000	1919+1	6867+0	2453+0	3692-1	5825+2
	1295-1	1402-1	1390-1	1360-1	0000	0000	0000	0000	0000	1156+0	1172+0	4688-4	2500-3	6975+2
	1016+0	1097+0	1058+0	1064+0	0000	0000	0000	0000	0000					
03	0000	2538+0	2652+0	2735+0	2600+0	1613+0	1741+0	2165+0	0000	1918+1	6864+0	2452+0	3690-1	5825+2
	0000	1323-1	1388-1	1426-1	1356-1	2445-2	2078-2	1129-1	0000	1160+0	1193+0	4688-4	2500-3	6975+2
	0000	1035+0	1056+0	1116+0	1061+0	6606-1	7103-1	8831-1	0000					
05	0000	1572+0	2229+0	0000	3631+0	4714+0	2090+0	0000	0000	1918+1	6864+0	2452+0	3690-1	5825+2
	0000	8198-2	1162-1	0000	1893-1	2452-1	1089-1	0000	0000	1157+0	1167+0	4688-4	2500-3	6975+2
	0000	6414-1	9092-1	0000	1481+0	1923+0	8526-1	0000	0000					

PROJ RUN GROUP CONF MACH X/D  
 0526 0019 0388 0005 2000+0 2970+0

	1	2	3	4	5	6	7	8	9	Po	q	Pinf	Re	To
02	2649+0	2592+0	2570+0	2628+0	0000	0000	0000	0000	0000	1917+1	6861+0	2451+0	3689-1	5825+2
	1382-1	1352-1	1340-1	1371-1	0000	0000	0000	0000	0000	1153+0	1163+0	4688-4	2500-3	6975+2
	1081+0	1058+0	1049+0	1072+0	0000	0000	0000	0000	0000					
03	0000	2685+0	2578+0	2602+0	2663+0	2648+0	1750+0	1773+0	0000	1915+1	6853+0	2448+0	3684-1	5825+2
	0000	1402-1	1346-1	1359-1	1390-1	1383-1	9349-2	9258-2	0000	1153+0	1177+0	4688-4	2500-3	6975+2
	0000	1097+0	1053+0	1063+0	1088+0	1082+0	7315-1	7244-1	0000					
05	0000	1572+0	2197+0	0000	3600+0	4702+0	2069+0	0000	0000	1909+1	6797+0	2428+0	3654-1	5825+2
	0000	8279-2	1156-1	0000	1895-1	2476-1	1089-1	0000	0000	1149+0	1156+0	4688-4	2500-3	6975+2
	0000	6478-1	9049-1	0000	1483+0	1937+0	8524-1	0000	0000					

PROJ RUN: GROUP CONF PAGE X/D  
 0626 0019 0389 0005 2000+0 4955+0

	1	2	3	4	5	6	7	8	9	Po	q	Pinf	Re	To
02	2488+0	2482+0	2495+0	2484+0	0000	0000	0000	0000	0000	1916+1	6856+0	2449+0	3622-1	5830+2
	1299-1	1296-1	1302-1	1297-1	0000	0000	0000	0000	0000	1148+0	1153+0	4682-4	2500-3	6975+2
	1016+0	1014+0	1019+0	1014+0	0000	0000	0000	0000	0000					6975+2
03	0000	2500+0	2468+0	2491+0	2528+0	2569+0	2554+0	2467+0	0000	1911+1	6839+0	2443+0	3673-1	5830+2
	0000	1308-1	1291-1	1303-1	1323-1	1344-1	1336-1	1291-1	0000	1149+0	1155+0	4682-4	2500-3	6975+2
	0000	1024+0	1010+0	1019+0	1035+0	1052+0	1046+0	1009+0	0000					6975+2
05	0000	1576+0	2205+0	0000	3613+0	4716+0	2075+0	0000	0000	1909+1	6531+0	2439+0	3668-1	5830+2
	0000	8254-2	1155-1	0000	1893-1	2471-1	1087-1	0000	0000	1148+0	1166+0	4682-4	2500-3	6975+2
	0000	6458-1	9039-1	0000	1481+0	1933+0	8504-1	0000	0000					6975+2

PROJ RUN: GROUP CONF PAGE X/D  
 062E 0019 0390 0005 2000+0 6939+0

	1	2	3	4	5	6	7	8	9	Po	q	Pinf	Re	To
02	2489+0	2463+0	2509+0	2527+0	0000	0000	0000	0000	0000	1907+1	6825+0	2433+0	3669-1	5825+2
	1305-1	1292-1	1315-1	1325-1	0000	0000	0000	0000	0000	1143+0	1153+0	4622-4	2500-3	6975+2
	1021+0	1011+0	1029+0	1037+0	0000	0000	0000	0000	0000					6975+2
03	0000	2448+0	2451+0	2480+0	2473+0	2495+0	2469+0	2516+0	0000	1912+1	6822+0	2444+0	3674-1	5830+2
	0000	1281-1	1282-1	1297-1	1293-1	1305-1	1292-1	1316-1	0000	1146+0	1152+0	4655-4	2500-3	6975+2
	0000	1002+0	1003+0	1015+0	1012+0	1021+0	1011+0	1029+0	0000					6975+2
05	0000	1572+0	2209+0	0000	3594+0	4683+0	2069+0	0000	0000	1905+1	6817+0	2435+0	3651-1	5830+2
	0000	8255-2	1160-1	0000	1587-1	2459-1	1087-1	0000	0000	1145+0	1144+0	4655-4	2500-3	6975+2
	0000	6459-1	9077-1	0000	1476+0	1924+0	8502-1	0000	0000					6975+2

PROJ RUN GROUP CONF MACH X/D  
0626 0019 0391 0005 2000+0 8929+0

	1	u	3	4	5	6	7	8	9	Po	q	P.inf	Re	To
02	2402+0	2495+0	2502+0	2432+0	0000	0000	0000	0000	0000	1903+1	6811+0	2432+0	3658-1	5930+2
	1262-1	1311-1	1315-1	1275-1	0000	0000	0000	0000	0000	1143+0	1152+0	4655-4	2500-3	6975+2
	9876-1	1025+0	1023+0	9999-1	0000	0000	0000	0000	0000					
03	0000	2428+0	2438+0	2473+0	2423+0	2445+0	2523+0	2500+0	0000	1909+1	6834+0	2441+0	3669-1	5930+2
	0000	1272-1	1277-1	1295-1	1269-1	1293-1	1321-1	1309-1	0000	1145+0	1144+0	4655-4	2500-3	6975+2
	0000	9949-1	9991-1	1013+0	9928-1	1012+0	1034+0	1024+0	0000					
05	0000	1558+0	2197+0	0000	3595+0	4702+0	2065+0	0000	0000	1906+1	6819+0	2436+0	3662-1	5930+2
	0000	8178-2	1153-1	0000	1887-1	2467-1	1084-1	0000	0000	1142+0	1160+0	4655-4	2500-3	6975+2
	0000	6399-1	9022-1	0000	1476+0	1931+0	8479-1	0000	0000					

PROJ RUN GROUP CONF MACH X/D  
0626 0019 0392 0005 2000+0 1094+1

	1	2	3	4	5	6	7	8	9	Po	q	P.inf	Re	To
02	2478+0	2421+0	2421+0	2443+0	0000	0000	0000	0000	0000	1903+1	6811+0	2433+0	3658-1	5930+2
	1302-1	1272-1	1272-1	1263-1	0000	0000	0000	0000	0000	1145+0	1172+0	4655-4	2500-3	6975+2
	1019+0	9993-1	9994-1	1004+0	0000	0000	0000	0000	0000					
03	0000	2442+0	2402+0	2443+0	2448+0	2459+0	2459+0	2555+0	0000	1909+1	6831+0	2439+0	3668-1	5930+2
	0000	1279-1	1258-1	1275-1	1282-1	1289-1	1288-1	1339-1	0000	1142+0	1144+0	4655-4	2500-3	6975+2
	0000	1001+0	9847-1	1001+0	1003+0	1008+0	1008+0	1047+0	0000					
05	0000	1553+0	2204+0	0000	3583+0	4674+0	2061+0	0000	0000	1901+1	6803+0	2429+0	3653-1	5930+2
	0000	8169-2	1159-1	0000	1885-1	2459-1	1024-1	0000	0000	1141+0	1165+0	4655-4	2500-3	6975+2
	0000	6392-1	9069-1	0000	1475+0	1924+0	8481-1	0000	0000					

PROJ RUN GROUP CONF NACH X/C  
0626 0019 0393 0005 2000+0 1000+0

1	2	3	4	5	6	7	8	9	Po	q	Pinf	Re	To
02	2412-1	2717-1	2718-1	2529-1	0000	0000	0000	0000	2777+0	9937-1	3549-1	5381-2	5795+2
	8686-2	9783-2	9783-2	9109-2	0000	0000	0000	0000	2575-1	3324-1	4653-4	2500-3	6975+2
	6796-1	7654-1	7658-1	7127-1	0000	0000	0000	0000					
03	0000	2469-1	2715-1	2779-1	2610-1	3821-1	4496-1	0000	2822+0	1009+0	3607-1	5449-2	5910+2
	0000	8752-2	9620-2	9650-2	1007-1	1354-1	1593-1	0000	2617-1	3125-1	4653-4	2500-3	6975+2
	0000	6848-1	7527-1	7707-1	7576-1	1059+0	1247+0	0000					
05	0000	2851-1	3623-1	0000	5798-1	4388-1	0000	0000	2822+0	1009+0	3607-1	5443-2	5815+2
	0000	1010-1	1224-1	0000	2055-1	1555-1	0000	0000	2627-1	3134-1	4653-4	2500-3	6975+2
	0000	7904-1	1005+0	0000	1608+0	1217+0	0000	0000					

PROJ RUN GROUP CONF NACH X/C  
0626 0019 0394 0005 2000+0 1985+0

1	2	3	4	5	6	7	8	9	Po	q	Pinf	Re	To
02	4074-1	4427-1	4366-1	4181-1	0000	0000	0000	0000	2806+0	1004+0	3587-1	5419-2	5810+2
	1452-1	1577-1	1556-1	1489-1	0000	0000	0000	0000	1861-1	2859-1	4653-4	2500-3	6975+2
	1136+0	1234+0	1217+0	1166+0	0000	0000	0000	0000					
03	0000	4074-1	4354-1	4386-1	4241-1	3053-1	3307-1	0000	2794+0	9998-1	3571-1	5369-2	5830+2
	0000	1458-1	1558-1	1569-1	1518-1	1095-1	1184-1	0000	1883-1	2708-1	4653-4	2500-3	6975+2
	0000	1141+0	1219+0	1228+0	1138+0	8565-1	9262-1	0000					
05	0000	2759-1	3554-1	0000	5678-1	4329-1	0000	0000	2772+0	9920-1	3543-1	5334-2	5825+2
	0000	9951-2	1222-1	0000	2049-1	1562-1	0000	0000	1863-1	2175-1	4653-4	2500-3	6975+2
	0000	7786-1	1003+0	0000	1603+0	1222+0	0000	0000					

PROJ RUN GROUP COMP NACH X/D  
062E 0019 0395 0005 2000+0 2970+0

	1	2	3	4	5	6	7	8	9	Po	q	Pinf	Re	To
02	4349-1	4344-1	4259-1	4329-1	0000	0000	0000	0000	0000	2831+0	1013+0	3619-1	5454-2	5820+2
	1536-1	1534-1	1504-1	1529-1	0000	0000	0000	0000	0000	1879-1	2056-1	4685-4	2500-3	6975+2
	1202+0	1200+0	1177+0	1196+0	0000	0000	0000	0000	0000					
03	0000	4261-1	4239-1	4253-1	4240-1	4269-1	4039-1	2931-1	0000	2816+0	1008+0	3595-1	5418-2	5825+2
	0000	1513-1	1506-1	1510-1	1541-1	1516-1	1435-1	1041-1	0000	1569-1	2063-1	4688-4	2500-3	6975+2
	0000	1184+0	1178+0	1182+0	1206+0	1186+0	1123+0	8143-1	0000					
05	0000	2763-1	3568-1	0000	5715-1	7603-1	4343-1	0000	0000	2791+0	9987-1	3567-1	5363-2	5830+2
	0000	9601-2	1278-1	0000	2648-1	2509-1	1556-1	0000	0000	1342-1	2034-1	4688-4	2500-3	6975+2
	0000	7747-1	1000+0	0000	1602+0	1963+0	1218+0	0000	0000					

PROJ RUN GROUP COMP NACH X/D  
062E 0019 0396 0005 2000+0 4955+0

	1	2	3	4	5	6	7	8	9	Po	q	Pinf	Re	To
02	4129-1	4174-1	4111-1	4101-1	0000	0000	0000	0000	0000	2222+0	1009+0	3607-1	5423-2	5830+2
	1463-1	1479-1	1457-1	1453-1	0000	0000	0000	0000	0000	1873-1	2025-1	4688-4	2500-3	6975+2
	1145+0	1157+0	1139+0	1137+0	0000	0000	0000	0000	0000					
03	0000	4209-1	4172-1	4179-1	4322-1	4213-1	4312-1	4175-1	0000	2839+0	1016+0	3629-1	5456-2	5830+2
	0000	1433-1	1469-1	1472-1	1522-1	1484-1	1519-1	1471-1	0000	1864-1	2013-1	4688-4	2500-3	6975+2
	0000	1160+0	1149+0	1152+0	1191+0	1161+0	1188+0	1151+0	0000					
05	0000	2774-1	3577-1	0000	5742-1	7011-1	4343-1	0000	0000	2797+0	1001+0	3575-1	5369-2	5835+2
	0000	9518-2	1279-1	0000	2053-1	2506-1	1553-1	0000	0000	1958-1	1928-1	4688-4	2500-3	6975+2
	0000	7760-1	1001+0	0000	1606+0	1961+0	1215+0	0000	0000					

PROJ RUN GROUP COMF MACH X/D  
062E C019 0397 0005 2980+0 4955+0

	1	2	3	4	5	6	7	8	9	PO	Q	P.nf	Re	To
02	1775-1	1744-1	1757-1	1751-1	0000	0000	0000	0000	0000	5924+0	1031+0	1659-1	6926-2	5825+2
	3001-2	2949-2	2971-2	2962-2	0000	0000	0000	0000	0000	5172-2	6438-2	4658-4	2500-3	6975+2
	1059+0	1051+0	1059+0	1056+0	0000	0000	0000	0000	0000					
03	0000	1755-1	1739-1	1764-1	1856-1	1957-1	2279-1	1245-1	0000	5919+0	1032+0	1660-1	6932-2	5825+2
	0000	2966-2	2938-2	2980-2	3137-2	3139-2	3832-2	2165-2	0000	5172-2	6000-2	4626-4	2500-3	6975+2
	0000	1057+0	1047+0	1062+0	1116+0	1119+0	1373+0	7502-1	0000					
05	0000	1744-1	1906-1	0000	2350-1	4334-1	3411-1	0000	0000	5917+0	1032+0	1660-1	6929-2	5825+2
	0000	2948-2	3222-2	0000	3972-2	7319-2	5765-2	0000	0000	5125-2	5513-2	4658-4	2500-3	6975+2
	0000	1051+0	1148+0	0000	1416+0	2609+0	2055+0	0000	0000					

PROJ RUN GROUP COMF MACH X/D  
062S 0C19 0398 0005 2980+0 2970+0

	1	2	3	4	5	6	7	8	9	PO	Q	P.nf	Re	To
02	1926-1	1894-1	1900-1	1905-1	0000	0000	0000	0000	0000	5909+0	1031+0	1659-1	6923-2	5820+2
	3259-2	3206-2	3215-2	3223-2	0000	0000	0000	0000	0000	5125-2	5797-2	4628-4	2500-3	6975+2
	1162+0	1143+0	1146+0	1149+0	0000	0000	0000	0000	0000					
03	0000	1918-1	1882-1	1877-1	1919-1	1300-1	1757-1	1491-1	0000	5925+0	1034+0	1663-1	6942-2	5820+2
	0000	3067-2	3175-2	3167-2	3232-2	2194-2	2954-2	2515-2	0000	5075-2	5822-2	4658-4	2500-3	6975+2
	0000	1093+0	1132+0	1129+0	1154+0	7621-1	1057+0	6967-1	0000					
05	0000	1735-1	1594-1	0000	2319-1	4317-1	3391-1	0000	0000	5935+0	1035+0	1665-1	6961-2	5820+2
	0000	2923-2	3191-2	0000	3907-2	7273-2	5713-2	0000	0000	5094-2	5734-2	4658-4	2500-3	6975+2
	0000	1042+0	1137+0	0000	1393+0	2592+0	2026+0	0000	0000					

FROM RUN: GROUP CONF NAME X/D  
0626 0019 0399 0005 2990+0 1990+0

	1	2	3	4	5	6	7	8	9	To	q	Pinf	Re	To
02	6638-2	1975-1	1986-1	1463-1	0000	0000	0000	0000	0000	5942+0	1037+0	1666-1	6994-2	5815+2
	1116-2	3321-2	3335-2	2468-2	0000	0000	0000	0000	0000	5045-2	5655-2	4655-4	2500-3	6975+2
	3577-1	1184+0	1150+0	9755-1	0000	0000	0000	0000	0000					6975+2
03	0000	5254-2	1552-1	1959-1	1177-1	9302-2	1973-1	2017-1	0000	5945+0	1037+0	1666-1	6994-2	5815+2
	0000	1388-2	3284-2	3294-2	1980-2	1555-2	3327-2	3392-2	0000	5045-2	5783-2	4655-4	2500-3	6975+2
	0000	4949-1	1171+0	1174+0	7059-1	5577-1	1185+0	1209+0	0000					6975+2
05	0000	1925-1	2558-1	0000	2398-1	4326-1	3411-1	0000	0000	5944+0	1037+0	1667-1	6979-2	5815+2
	0000	3239-2	4136-2	0000	5035-2	7095-2	5725-2	0000	0000	4894-2	5813-2	4658-4	2500-3	6975+2
	0000	1155+0	1474+0	0000	1428+0	2600+0	2046+0	0000	0000					6975+2

FROM RUN: GROUP CONF NAME X/D  
0626 0019 0400 0005 2990+0 1990+0

	1	2	3	4	5	6	7	8	9	To	q	Pinf	Re	To
02	5968-2	6432-2	1063-1	5925-2	0000	0000	0000	0000	0000	5947+0	1037+0	1666-1	6994-2	5810+2
	1004-2	1427-2	1757-2	1008-2	0000	0000	0000	0000	0000	6453-2	7073-2	4688-4	2500-3	6975+2
	3577-1	5055-1	6404-1	3593-1	0000	0000	0000	0000	0000					6975+2
03	0000	6787-2	9839-2	1055-1	7827-2	1245-1	6514-1	1575-1	0000	5936+0	1035+0	1665-1	6973-2	5810+2
	0000	1143-2	1652-2	1777-2	1335-2	2098-2	1404-2	2651-2	0000	6625-2	7109-2	4688-4	2500-3	6975+2
	0000	4076-1	5908-1	6335-1	4760-1	7479-1	1559+0	9455-1	0000					6975+2
05	0000	3303-1	4539-1	0000	3235-1	4669-1	3781-1	0000	0000	5937+0	1035+0	1666-1	6994-2	5810+2
	0000	5563-2	7646-2	0000	5442-2	7865-2	6369-2	0000	0000	6625-2	7235-2	4688-4	2500-3	6975+2
	0000	1983+0	2725+0	0000	1942+0	2604+0	2270+0	0000	0000					6975+2



PROJ	RUN	GROUP	CONF	MACH	X/D	1	2	3	4	5	6	7	8	9	Po	q	Pinf	Re	To	
0626	0020	<del>0002</del>	0005	3000+0	1000+0															
		401																		
02		3340-1	6172-1	7321-1	3255-1	0000	0000	0000	0000	0000	0000	0000	0000	0000	4328+1	7423+0	1178+0	5042-1	5805+2	
		7717-3	1426-2	1691-2	7519-3	0000	0000	0000	0000	0000	0000	0000	0000	0000	3928-1	4084-1	2539+0	7619+0	6975+2	
		2835-1	5238-1	6213-1	2762-1	0000	0000	0000	0000	0000	0000	0000	0000	0000						
03		0000	5572-1	6230-1	7217-1	3717-1	8443-1	1599+0	1055+0	0000	0000	0000	0000	0000	4322+1	7413+0	1177+0	5028-1	5610+2	
		0000	8804-3	1441-2	1669-2	8601-3	1953-2	3699-2	2441-2	0000	0000	0000	0000	0000	3911-1	4055-1	2548+0	7629+0	6975+2	
		0000	3035-1	5295-1	6134-1	3159-1	7176-1	1359+0	8966-1	0000	0000	0000	0000	0000						
05		0000	1186+0	1256+0	0000	1554+0	3121+0	1214+0	0000	0000	0000	0000	0000	0000	4325+1	7418+0	1177+0	5039-1	5805+2	
		0000	2741-2	2904-2	0000	3592-2	7216-2	2808-2	0000	0000	0000	0000	0000	0000	3899-1	4025-1	2545+0	7627+0	6975+2	
		0000	1007+0	1067+0	0000	1319+0	2651+0	1031+0	0000	0000	0000	0000	0000	0000						

PROJ	RUN	GROUP	CONF	MACH	X/D	1	2	3	4	5	6	7	8	9	Po	q	Pinf	Re	To
0626	0020	<del>0003</del>	0005	3000+0	1985+0														
		402																	
02		3875-1	1396+0	1338+0	5129-1	0000	0000	0000	0000	0000	0000	0000	0000	0000	4315+1	7401+0	1175+0	5033-1	5800+2
		8980-3	3235-2	3102-2	1189-2	0000	0000	0000	0000	0000	0000	0000	0000	0000	2877-1	2995-1	2559+0	7662+0	6975+2
		3299-1	1188+0	1139+0	4366-1	0000	0000	0000	0000	0000	0000	0000	0000	0000					
03		0000	4322-1	1359+0	1412+0	4464-1	5737-1	1071+0	1429+0	0000	0000	0000	0000	0000	4316+1	7402+0	1175+0	5034-1	5800+2
		0000	1001-2	3151-2	3271-2	1034-2	1329-2	2482-2	3312-2	0000	0000	0000	0000	0000	2877-1	3003-1	2543+0	7608+0	6975+2
		0000	3679-1	1157+0	1202+0	3799-1	4883-1	9115-1	1217+0	0000	0000	0000	0000	0000					
05		0000	1168+0	1252+0	0000	1541+0	3111+0	1204+0	0000	0000	0000	0000	0000	0000	4313+1	7397+0	1174+0	5030-1	5800+2
		0000	2709-2	2903-2	0000	3574-2	7213-2	2792-2	0000	0000	0000	0000	0000	0000	2872-1	2978-1	2532+0	7594+0	6975+2
		0000	9951-1	1066+0	0000	1313+0	2649+0	1025+0	0000	0000	0000	0000	0000	0000					

PROJ RUN GROUP CONC MACH X/D  
0626 0020 C4C3 0005 3000+0 2970+C

1	2	3	4	5	6	7	8	9	Po	q	Pinf	Re	To
02	1329+0	1311+0	1271+0	1332+C	0000	0000	0000	0000	4345+1	7407+0	1176+C	5038-1	5800+2
	3077-2	3036-2	2942-2	3084-2	0000	0000	0000	0000	2875-1	2970-1	2545+0	7617+0	6975+2
	1130+C	1115+0	1081+0	1133+C	0000	0000	0000	0000					
03	0000	1330+0	1256+C	1324+0	1351+0	8183-1	1064+0	0000	4314+1	7399+0	1174+0	5032-1	5800+2
	0000	3083-2	3004-2	3062-2	1387-2	1897-2	2467-2	0000	2866-1	2992-1	2550+C	7636+C	6975+2
	0000	1132+0	1103+C	1125+0	1151+0	5096-1	5062-1	0000					
05	0000	1159+0	1251+0	0000	1542+0	3114+0	1203+0	0000	4317+1	7409+0	1175+0	5035-1	5800+2
	0000	2685-2	2597-2	0000	3573-2	2214-2	2786-2	0000	2863-1	2979-1	2545+C	7636+0	6975+2
	0000	9862-1	1064+0	0000	1312+0	2649+C	1023+0	0000					

PROJ RUN GROUP CONC MACH X/D  
0626 0020 C4C4 0005 3000+0 4955+0

1	2	3	4	5	6	7	8	9	Po	q	Pinf	Re	To
02	1215+0	1184+C	1174+0	1204+C	0000	0000	0000	0000	4306+1	7366+0	1172+0	5017-1	5805+2
	2822-2	2749-2	2725-2	2795-2	0000	0000	0000	0000	2877-1	2977-1	2546+C	7627+0	6575+2
	1037+0	1009+C	1001+0	1027+0	0000	0000	0000	0000					
03	0000	1214+C	1181+0	1201+0	1214+0	1227+0	7955-1	0000	4309+1	7394+0	1173+0	5027-1	5800+2
	0000	2816-2	2739-2	2788-2	2848-2	2902-2	1946-2	0000	2855-1	2986-1	2534+0	7569+0	6975+2
	0000	1034+C	1006+0	1024+0	1034+0	1068+0	6761-1	0000					
05	0000	1172+C	1252+0	0000	1544+0	3111+0	1205+0	0000	4317+1	7405+0	1175+0	5042-1	5795+2
	0000	2115-2	2900-2	0000	3570-2	206-2	2791-2	0000	2863-1	2977-1	2543+C	7641+0	6975+2
	0000	9974-1	1065+0	0000	1311+0	2647+0	1025+0	0000					

PRG	RUN	GROUP	CONF	MACH	X/D	1	2	3	4	5	6	7	8	9	Po	q	Pinf	Re	To	
0626	0020	0405	0005	3990+0	4955+0															
02	9695-2	9848-2	9509-2	9528-2	0000	0000	0000	0000	0000	0000	0000	0000	0000	0000	1344+1	9998-1	8971-2	9338-2	5500+2	
	7233-3	7327-3	7189-3	7089-3	0000	0000	0000	0000	0000	0000	0000	0000	0000	0000	1528-2	2109-2	1157+0	1185+0	5975+2	
	1081+0	1098+0	1071+0	1062+0	0000	0000	0000	0000	0000	0000	0000	0000	0000	0000						
03	0000	9706-2	9270-2	9449-2	1092-1	1069-1	1063-1	8055-2	0000	0000	0000	0000	0000	0000	1337+1	9945-1	8924-2	9289-2	5900+2	
	0000	7259-3	6933-3	7067-3	6169-3	7991-3	7952-3	6024-3	0000	0000	0000	0000	0000	0000	1781-2	2031-2	1182+0	1182+0	5975+2	
	0000	1088+0	1039+0	1059+0	1224+0	1197+0	1191+0	9026-1	0000	0000	0000	0000	0000	0000						
05	0000	1278-1	1157-1	0000	1275-1	2879-1	2489-1	0000	0000	0000	0000	0000	0000	0000	1354+1	1007+0	9039-2	9409-2	5600+2	
	0000	9440-3	8543-3	0000	9415-3	2126-2	1838-2	0000	0000	0000	0000	0000	0000	0000	1844-2	2094-2	1193+0	1193+0	5975+2	
	0000	1414+0	1279+0	0000	1411+0	3185+0	2754+0	0000	0000	0000	0000	0000	0000	0000					5975+2	

PRG	RUN	GROUP	CONF	MACH	X/D	1	2	3	4	5	6	7	8	9	Po	q	Pinf	Re	To
0626	0020	0406	0005	3990+0	2970+0														
02	8851-2	1123-1	1112-1	1116-1	0000	0000	0000	0000	0000	0000	0000	0000	0000	0000	1362+1	1013+0	9091-2	9415-2	5820+2
	6498-3	8245-3	8165-3	8196-3	0000	0000	0000	0000	0000	0000	0000	0000	0000	0000	1797-2	2313-2	1191+0	1192+0	6975+2
	9735-1	1235+0	1223+0	1228+0	0000	0000	0000	0000	0000	0000	0000	0000	0000	0000					
03	0000	9518-2	1078-1	1134-1	1008-1	5343-2	1117-1	1092-1	0000	0000	0000	0000	0000	0000	1359+1	1011+0	9070-2	9381-2	5825+2
	0000	7004-3	7934-3	8342-3	7416-3	3931-3	6223-3	6033-3	0000	0000	0000	0000	0000	0000	1750-2	2234-2	1187+0	1184+0	6975+2
	0000	1049+0	1189+0	1249+0	1111+0	5890-1	1232+0	1203+0	0000	0000	0000	0000	0000	0000					
05	0000	1297-1	1182-1	0000	1264-1	2910-1	2285-1	0000	0000	0000	0000	0000	0000	0000	1364+1	1014+0	9102-2	9401-2	5830+2
	0000	9534-3	8865-3	0000	9269-3	2134-2	1675-2	0000	0000	0000	0000	0000	0000	0000	1944-2	2203-2	1184+0	1179+0	6975+2
	0000	1425+0	1298+0	0000	1389+0	3197+0	2510+C	0000	0000	0000	0000	0000	0000	0000					

PROJ RUN GROUP CONP NACH X/D  
0626 0020 0407 0005 3590+0 1980+0

	1	2	3	4	5	6	7	8	9	Po	q	Pinf	Re	To
02	3112-2	1033-1	1007-1	2956-2	0000	0000	0000	0000	0000	1361+1	1013+0	9086-2	9373-2	5835+2
	2286-3	7592-3	7399-3	2171-3	0000	0000	0000	0000	0000	1859-2	2219-2	1177+0	1175+0	6975+2
	3425-1	1137+0	1109+0	3253-1	0000	0000	0000	0000	0000					
03	0000	3738-2	9517-2	9418-2	4156-2	5531-2	1299-1	9812-2	0000	1356+1	1010+0	9065-2	9351-2	5835+2
	0000	2752-3	7007-3	6935-3	3060-3	4073-3	9565-3	7224-3	0000	1766-2	2109-2	1179+0	1179+0	6975+2
	0000	4124-1	1049+0	1039+0	4585-1	6102-1	1433+0	1082+0	0000					
05	0000	1259-1	1154-1	0000	1227-1	2843-1	2232-1	0000	0000	1356+1	1008+0	9049-2	9323-2	5840+2
	0000	9291-3	8509-3	0000	9047-3	2097-2	1646-2	0000	0000	1875-2	2172-2	1184+0	1181+0	6975+2
	0000	1392+0	1275+0	0000	1355+0	3144+0	2466+0	0000	0000					

0626 0020 0408 0005 3590+0 1000+0

	1	2	3	4	5	6	7	8	9	Po	q	Pinf	Re	To
02	2955-2	2482-2	5306-2	2374-2	0000	0000	0000	0000	0000	1349+1	1004+0	9008-2	9280-2	5840+2
	2189-3	1635-3	3932-3	1759-3	0000	0000	0000	0000	0000	1719-2	2297-2	1179+0	1178+0	6975+2
	3281-1	2759-1	5691-1	2636-1	0000	0000	0000	0000	0000					
03	0000	3581-2	4243-2	5487-2	3875-2	7872-2	1541-1	9439-2	0000	1349+1	1004+0	9008-2	9292-2	5835+2
	0000	2653-3	3589-3	4066-3	2871-3	5833-3	1142-2	6394-3	0000	1691-2	2219-2	1179+0	1179+0	6975+2
	0000	3975-1	5377-1	6092-1	4302-1	8735-1	1711+0	1046+0	0000					
05	0000	1263-1	1172-1	0000	1253-1	2898-1	2178-1	0000	0000	1353+1	1006+0	9029-2	9326-2	5830+2
	0000	9335-3	8666-3	0000	9264-3	2142-2	1609-2	0000	0000	1875-2	2313-2	1181+0	1171+0	6975+2
	0000	1399+0	1298+0	0000	1388+0	3205+0	2412+0	0000	0000					

PRGR	RUN	GROUP	CONF	NAME	X/D	1	2	3	4	5	6	7	8	9	PO	Q	FINF	R	RE	TO	
0626	0020	0409	0005	403040	100040																
02						1228-1	95-2	2757-1	1064-1	0000	0000	0000	0000	0000	7319+1	5266+0	4632-1	4931-1	4931-1	5840+2	
						1677-3	1305-3	3621-3	1454-3	0000	0000	0000	0000	0000	0000	7244-2	8251-2	4769+0	4781+0	4781+0	6975+2
						2649-1	2061-1	6037-1	2298-1	0000	0000	0000	0000	0000	0000						
03						0000	1264-1	2482-1	2554-1	1250-1	4032-1	4226-1	4596-1	0000	7315+1	5263+0	4629-1	4935-1	4935-1	5835+2	
						0000	1728-3	3353-3	4053-3	1709-3	5512-3	5778-3	6419-3	0000	7585-2	8906-2	4771+0	4801+0	4801+0	6975+2	
						0000	2731-1	5361-1	6467	2700-1	8705-1	9129-1	1014+0	0000							
05						0000	6356-1	5636-1	0000	5977-1	1559+0	6238-1	0000	0000	7317+1	5265+0	4631-1	4936-1	4936-1	5835+2	
						0000	8667-3	7705-3	0000	8168-3	2130-2	5225-3	0000	0000	7522-2	8255-2	4799+0	4804+0	4804+0	6975+2	
						0000	1373+0	1217+0	0000	1291+0	3366+0	1347+0	0000	0000							

PRGR	RUN	GROUP	CONF	NAME	X/D	1	2	3	4	5	6	7	8	9	PO	Q	FINF	R	RE	TO	
0626	0020	0410	0005	403040	196040																
02						1293-1	5081-1	4739-1	1261-1	0000	0000	0000	0000	0000	7319+1	5266+0	4632-1	4931-1	4931-1	5840+2	
						1767-3	6941-3	6474-3	1723-3	0000	0000	0000	0000	0000	7228-2	8781-2	4654+0	4728+0	4728+0	6975+2	
						2752-1	1097+0	1023+0	2722-1	0000	0000	0000	0000	0000							
03						0000	359-1	4617-1	4802-1	1395-1	2498-1	5172-1	4483-1	0000	7306+1	5256+0	4623-1	4922-1	4922-1	5840+2	
						0000	1859-3	6319-3	6573-3	1909-3	3419-3	7079-3	5726-3	0000	7688-2	8575-2	1602+0	1799+0	1799+0	6975+2	
						0000	2938-1	9586-1	1039+0	3018-1	5404-1	1119+0	9047-1	0000							
05						0000	6361-1	5629-1	0000	5962-1	1554+0	6214-1	0000	0000	7306+1	5256+0	4623-1	4922-1	4922-1	5840+2	
						0000	8707-3	7705-3	0000	8162-3	2127-2	8507-3	0000	0000	7875-2	8255-2	1591+0	4502+0	4502+0	6975+2	
						0000	1376+0	1217+0	0000	1289+0	3361+0	1344+0	0000	0000							

PROJ RUN GROUP CONF MACH X/D  
0626 0020 0411 0035 4030+0 2970+0

1	2	3	4	5	6	7	8	9	Po	q	Pinf	Re	To
02	4038-1	5305-1	5032-1	5033-1	0000	0000	0000	0000	7306+1	5256+0	4623-1	4922-1	5840+2
	5927-3	7262-3	6923-3	6856-3	0000	0000	0000	0000	7844-2	8613-2	1555+0	4662+0	6975+2
	8733-1	1115+0	1094+0	1089+0	0000	0000	0000	0000					
03	0000	4735-1	5127-1	5255-1	4950-1	2307-1	3953-1	5332-1	7303+1	5254+0	4622-1	4927-1	5835+2
	0000	6484-3	7021-3	7195-3	6778-3	3159-3	5413-3	7301-3	7688-2	8751-2	1572+0	4702+0	6975+2
	0000	1025+0	1109+0	1137+0	1071+0	4551-1	5553-1	4154+0					
05	0000	6336-1	5950-1	5971-1	1555+0	6213-1	0000	0000	7306+1	5256+0	4623-1	4935-1	5830+2
	0000	8673-3	7610-3	8173-3	2125-2	8504-3	0000	0000	7875-2	8613-2	1591+0	4774+0	6975+2
	0000	1370+0	1203+0	0000	1291+0	1344+0	0000	0000					

PROJ RUN GROUP CONF MACH X/D  
0626 0020 0412 0035 4030+0 4955+0

1	2	3	4	5	6	7	8	9	Po	q	Pinf	Re	To
02	4874-1	4845-1	4657-1	4221-1	0000	0000	0000	0000	7319+1	5266+0	4632-1	4944-1	5830+2
	6659-3	6226-3	6417-3	6586-3	0000	0000	0000	0000	7859-2	8228-2	1605+0	4616+0	6975+2
	1052+0	1047+0	1014+0	1041+0	0000	0000	0000	0000					
03	0000	4843-1	4649	4770-1	4923-1	5071-1	3662-1	0000	7522+1	5268+0	4634-1	4946-1	5830+2
	0000	6624-3	6349-3	6515-3	6724-3	6925-3	4102-3	5029-3	7922-2	5641-2	1554+0	4701+0	6975+2
	0000	1047+0	1003+0	1029+0	1063+0	1094+0	6608-1	7546-1					
05	0000	6333-1	5629-1	0000	5935-1	1593+0	6196-1	0000	7896+1	5249+0	4617-1	4922-1	5835+2
	0000	8675-3	7715-3	0000	8141-3	2125-2	8432-3	0000	7553-2	6875-2	1584+0	4759+0	6975+2
	0000	1371+0	1215+0	0000	1296+0	1342+0	0000	0000					

PROJ RUN GROUP CONT NACH A/D  
0626 0020 0413 0005 5000+0 4955+0

1	2	3	4	5	6	7	8	9	PO	Q	Pinf	Re	To
02	5952-2	5953-2	6077-2	5559-2	0000	0000	0000	0000	3055+1	1011+0	5775-2	1275-1	5855+2
	1950-3	1948-3	1989-3	1950-3	0000	0000	0000	0000	9688-3	1406-2	1123+0	1119+0	6975+2
	1032+0	1031+0	1052+0	1032+0	0000	0000	0000	0000					
03	0000	6109-2	5646-2	5943-2	6469-2	6113-2	8489-2	5315-2	3065+1	1014+0	5755-2	1282-1	5850+2
	0000	1993-3	1841-3	1938-3	2109-3	1994-3	2769-3	1734-3	5844-3	1344-2	1121+0	1125+0	6975+2
	0000	1054+0	9742-1	1026+0	1116+0	1055+0	1465+0	9177-1					
05	0000	1035-1	8576-2	0000	8219-2	1895-1	1836-1	0000	3065+1	1014+0	5794-2	1283-1	5845+2
	0000	3376-3	2798-3	0000	2681-3	6182-3	5989-3	0000	9219-3	1297-2	1125+0	1121+0	6975+2
	0000	1786+0	1480+0	0000	1419+0	3271+0	3169+0	0000					

PROJ RUN GROUP CONT NACH A/D  
0626 0020 0414 0005 5000+0 2975+0

1	2	3	4	5	6	7	8	9	PO	Q	Pinf	Re	To
02	3096-2	6125-2	6031-2	5735-2	0000	0000	0000	0000	3069+1	1015+0	5801-2	1283-1	5830+2
	1009-3	1996-3	1965-3	1869-3	0000	0000	0000	0000	9688-3	1266-2	1125+0	1120+0	6975+2
	5337-1	1056+0	1039+0	9893-1	0000	0000	0000	0000					
03	0000	4570-2	5152-2	5079-2	5453-2	3299-2	8956-2	7650-2	3075+1	1015+0	5819-2	1297-1	5820+2
	0000	1485-3	1673-3	1645-3	1771-3	1072-3	2909-3	2455-3	9219-3	1219-2	7789-1	1121+0	6975+2
	0000	7655-1	6854-1	8726-1	9372-1	5671-1	1539+0	1315+0					
05	0000	1026-1	8545-2	0000	8000-2	1881-1	1614-1	0000	3077+1	1015+0	5616-2	1253-1	5815+2
	0000	3333-3	2777-3	0000	2599-3	6112-3	5896-3	0000	9375-3	1322-2	1120+0	1116+0	6975+2
	0000	1763+0	1469+0	0000	1376+0	3234+0	3119+0	0000					

FROM RUN	GROUP	CONF	PLACH	1/3	1	2	3	4	5	6	7	8	9	Po	q	Pinf	Re	To	
0626	0020	0415	0005	5000+0	1000+0														
02	1720-2	1571-2	3039-2	1242-2	0000	0000	0000	0000	0000	0000	0000	0000	0000	3071+1	1016+0	5804-2	1295-1	5815+2	
	5601-4	5114-4	9895-4	4045-4	0000	0000	0000	0000	0000	0000	0000	0000	0000	9215-3	1344-2	1129+0	1129+0	6975+2	
	2964-1	2706-1	5235-1	2150-1	0000	0000	0000	0000	0000	0000	0000	0000	0000					6975+2	
03	0000	2387-2	3270-2	3052-2	2703-2	5123-2	9126-2	5971-2	0000	3066+1	1014+0	5795-2	1291-1	5820+2					
	0000	7786-4	1066-3	1005-3	8816-1	1871-3	2976-3	1947-3	0000	8506-3	1234-2	1124+0	1122+0	6975+2					
	0000	4119-1	5643-1	5318-1	4664-1	5839-1	1575+0	1030+0	0000										

FROM RUN	GROUP	CONF	PLACH	1/3	1	2	3	4	5	6	7	8	9	Po	q	Pinf	Re	To
0626	0020	0416	0005	5000+0	1000+0													
02	7425-2	5305-2	1314-1	6035-2	0000	0000	0000	0000	0000	0000	0000	0000	0000	1330+2	4400+0	2514-1	4565-1	6305+2
	5563-4	3950-4	9879-4	4539-4	0000	0000	0000	0000	0000	0000	0000	0000	0000	3656-2	3953-2	3563+0	3573+0	6975+2
	2954-1	2111-1	5227-1	2401-1	0000	0000	0000	0000	0000	0000	0000	0000	0000					6975+2
03	0000	7507-2	1438-1	1735-1	7203-2	2349-1	2322-1	2640-1	0000	1328+2	4392+0	2509-1	4542-1	6315+2				
	0000	5654-4	1083-3	1305-3	5425-4	1769-3	1753-3	1969-3	0000	3547-2	4094-2	3444+0	3469+0	6975+2				
	0000	2992-1	5729-1	6929-1	2870-1	9361-1	5277-1	1052+0	0000									
05	0000	4187-1	3434-1	0000	3055-1	2482-1	4125-1	0000	0000	1326+2	4385+0	2506-1	4935-1	6320+2				
	0000	3158-3	2529-3	0000	2304-3	6357-3	3111-3	0000	0000	3531-2	4203-2	3446+0	3446+0	6975+2				
	0000	1671+0	1370+0	0000	1219+0	3365+0	1626+0	0000	0000									



FRQJ RUN GROUP CONF NACH X/D  
0626 0020 0417 0005 5000+0 2370+0

	1	2	3	4	5	6	7	8	9	Po	q	Pinf	Re	To
02	1169-1	2477-1	2399-1	2401-1	0000	0000	0000	0000	0000	1329+2	4399+0	2513-1	4938-1	6330+2
	8795-4	1562-3	1804-3	1805-3	0000	0000	0000	0000	0000	3594-2	4156-2	3481+0	3492+0	6975+2
	4654-1	9854-1	9543-1	5552-1	0000	0000	0000	0000	0000					
03	0000	1891-1	2166-1	2316-1	2125-1	1171-1	2226-1	3111-1	0000	1329+2	4399+0	2513-1	4937-1	6330+2
	0000	1422-3	1629-3	1742-3	1590-3	8604-4	1674-3	2340-3	0000	3500-2	3855-2	3522+0	3525+0	6975+2
	0000	7525-1	8613-1	9216-1	8456-1	4658-1	5527-1	1236+0	0000					

FRQJ RUN GROUP CONF NACH X/D  
0626 0020 0416 0005 5000+0 4949+0

	1	2	3	4	5	6	7	8	9	Po	q	Pinf	Re	To
02	2322-1	2397-1	2371-1	2329-1	0000	0000	0000	0000	0000	1329+2	4399+0	2511-1	4934-1	6330+2
	1748-3	1604-3	1784-3	1753-3	0000	0000	0000	0000	0000	3438-2	4109-2	3477+0	3506+0	6975+2
	9247-1	9544-1	9441-1	9273-1	0000	0000	0000	0000	0000					
03	0000	2431-1	2305-1	2365-1	2516-1	2326-1	1571-1	2096-1	0000	1329+2	4399+0	2513-1	4938-1	6330+2
	0000	1528-3	1733-3	1778-3	1892-3	1749-3	1482-3	1576-3	0000	3438-2	3936-2	3534+0	3543+0	6975+2
	0000	9673-1	9169-1	9409-1	1001+0	9553-1	7642-1	8339-1	0000					

FROM RUN	GROUP	CONF	MACH	X/D	1	2	3	4	5	6	7	8	9	Po	q	Pinf	Re	To	
0625	0021	0415	0005	5000+0	4955+0														
02	1667+0	5272-1	5342-1	5449-1	7959-1	1113+0	1570+0	1676+0	1659+0	3078+1	1013+0	5817-2	1279-1	5870+2					
	5417-2	1713-2	1733-2	2095-2	2566-2	3616-2	5101-2	5453-2	5391-2	1344-2	4958-2	1052+0	1068+0	5740+2					
	2866+1	5064+0	9182+0	1109+1	1308+1	1913+1	2659+1	2865+1	2853+1										
03	1499+0	1045+0	5592-1	7089-1	0000	1045+0	1019+0	1125+0	1482+0	3087+1	1024+0	5839-2	1224-1	5870+2					
	4858-2	3384-2	1811-2	2296-2	0000	3393-2	3301-2	3644-2	4801-2	1266-2	4984-2	1048+0	1059+0	5740+2					
	2570+1	1794+1	9583+0	1215+1	0000	1799+1	1746+1	1928+1	2540+1										
04	1505+0	1246+0	1167+0	1323+0	1393+0	0000	0000	0000	0000	3079+1	1018+0	5817-2	1225-1	5855+2					
	4890-2	4049-2	3750-2	4299-2	4545-2	0000	0000	0000	0000	1109-2	4757-2	1036+0	1071+0	5705+2					
	2587+1	2143+1	2003+1	2275+1	2405+1	0000	0000	0000	0000										

FROM RUN	GROUP	CONF	MACH	X/D	1	2	3	4	5	6	7	8	9	Po	q	Pinf	Re	To	
0625	0021	0420	0005	5000+0	2975+0														
02	1714+0	4302-1	4637-1	5975-1	7413-1	1057+0	1667+0	5036-1	1019+0	3072+1	1016+0	5807-2	1267-1	5840+2					
	5700-2	1400-2	1509-2	1945-2	2413-2	3439-2	5425-2	8241-2	3318-2	1016-2	4813-2	1047+0	1067+0	5700+2					
	3016+1	7408+0	7985+0	1029+1	1276+1	1515+1	2870+1	1556+1	1756+1										
03	8336-1	8858-1	4344-1	5909-1	0000	9610-1	8244-1	5345-1	6463-1	3069+1	1015+0	5801-2	1288-1	5835+2					
	2716-2	2836-2	1415-2	1925-2	0000	3131-2	2666-2	1507-2	2106-2	1016-2	4813-2	1047+0	1062+0	5850+2					
	1437+1	1527+1	7488+0	1019+1	0000	1657+1	1421+1	5559+0	1114+1										
04	8757-1	1004+0	1239+0	1532+0	1723+0	0000	0000	0000	0000	3079+1	1019+0	5820-2	1295-1	5825+2					
	2544-2	3261-2	4026-2	4975-2	5594-2	0000	0000	0000	0000	1031-2	4750-2	1056+0	1070+0	5880+2					
	1505+1	1725+1	2130+1	2632+1	2959+1	0000	0000	0000	0000										

FROM RUN	GROUP	COMP	MACH	X/D	1	2	3	4	5	6	7	8	9	PO	Q	Pinf	Re	To	
0626	0021	0421	0005	5000+0	1000+0														
02	4117-1	1069-1	1291-1	3171-1	2598-1	3265-1	3717-1	5021-1	1566+0	3064+1	1013+0	5791-2	1292-1	5215+2					
	1344-2	3491-3	4214-3	1035-2	5460-3	1056-2	1213-2	1955-2	5177-2	1172-2	4761-2	1050+0	1073+0	5490+2	5595+2				
	7110+0	1647+0	2225+0	5477+0	5005+0	5355+0	6419+0	1039+1	2739+1										
03	7054-1	5223-1	5306-2	1113-1	0000	5354-1	5965-1	6403-1	6181-1	3077+1	1019+0	5816-2	1258-1	5215+2					
	2292-2	1925-2	1724-3	3618-3	0000	1739-2	1946-2	2081-2	2009-2	1234-2	4757-2	1055+0	1068+0	5400+2	5590+2				
	1213+1	1018+1	9124-1	1914+0	0000	9205+0	1029+1	1101+1	1065+1										
CA	6255-1	1213+0	1646+0	1495+0	1433+0	0000	0000	0000	0000	3077+1	1018+0	5816-2	1298-1	5215+2					
	2033-2	3942-2	5350-2	4857-2	4657-2	0000	0000	0000	0000	1266-2	4750-2	1003+0	1078+0	5420+2	5590+2				
	1075+1	2285+1	2831+1	2565+1	2464+1	0000	0000	0000	0000										
05	0000	9958-2	8360-2	0000	9016-2	1945-1	3256-1	0000	0000	3075+1	1017+0	5811-2	1297-1	5215+2					
	0000	3238-3	2719-3	0000	2932-3	6229-3	1059-2	0000	0000	1375-2	4766-2	1059+0	1075+0	5475+2	5570+2				
	0000	1713+0	1439+0	0000	1551+0	3296+0	5603+0	0000	0000										
FROM RUN	GROUP	COMP	MACH	X/D															
0626	0021	0422	0005	5000+0	1000+0														
02	1663+0	6860-1	1014+0	1414+0	9653-1	1093+0	1551+0	2699+0	6970+0	1327+2	4350+0	2509-1	4917-1	5340+2					
	1253-2	5169-3	7641-3	1065-2	7273-3	6232-3	1169-2	2105-2	5252-2	2516-2	5751-2	3431+0	3480+0	6235+2	6550+2				
	6627+0	2735+0	4043+0	5637+0	3848+0	4355+0	6185+0	1156+1	2775+1										
03	4275+0	1912+0	4557-1	1468+0	0000	1777+0	2259+0	2691+0	2982+0	1328+2	4352+0	2509-1	4931-1	5330+2					
	3219-2	1440-2	3679-3	1121-2	0000	1339-2	1701-2	2027-2	2249-2	3719-2	5625-2	3504+0	3537+0	5230+2	6470+2				
	1703+1	7619+0	1547+0	5929+0	0000	7065+0	9001+0	1072+1	1190+1										
04	4427+0	7091+0	9122+0	6569+0	6257+0	0000	0000	0000	0000	1329+2	4395+0	2511-1	4939-1	6325+2					
	3332-2	5337-2	6665-2	4945-2	4739-2	0000	0000	0000	0000	3703-2	5313-2	3474+0	3492+0	6235+2	6455+2				
	1763+1	2824+1	3632+1	2616+1	2505+1	0000	0000	0000	0000										
05	0000	4233-1	3466-1	0000	2622-1	7871-1	5077-1	0000	0000	1328+2	4393+0	2510-1	4949-1	5315+2					
	0000	3167-3	2609-3	0000	2125-3	5926-3	3822-3	0000	0000	3547-2	4275-2	3442+0	3474+0	6240+2	6445+2				
	0000	1686+0	1381+0	0000	1124+0	1316+0	2022+0	0000	0000										

PROJ RUN GROUP CONF MACH X/D  
0626 0021 0423 0005 5000+0 2570+0

	1	2	3	4	5	6	7	8	9	Po	q	Pinf	Re	To
02	7272+0	1474+0	1552+0	2032+0	2631+0	5077+0	7120+0	3901+0	4462+0	1327+2	4305+0	2555-1	4957-1	6305+2
	5475-2	1111-2	1192-2	1531-2	1983-2	3226-2	5366-2	2939-2	3363-2	3516-2	4203-2	3428+0	3446+0	6160+2
	2899+1	5877+0	6306+0	8101+0	1045+1	2024+1	2839+1	1555+1	1779+1					6545+2
03	3757+0	3647+0	1636+0	3191+0	0000	3527+0	3674+0	2652+0	3554+0	1329+2	4399+0	2513-1	4973-1	6300+2
	2825-2	2743-2	1320-2	2393-2	0000	2953-2	2762-2	2107-2	2673-2	3436-2	4266-2	3456+0	3526+0	6160+2
	1495+1	1451+1	7304+0	1265+1	0000	1575+1	1462+1	1115+1	1414+1					6545+2
04	4032+0	4439+0	5293+0	6624+0	7403+0	0000	0000	0000	0000	1331+2	4401+0	2515-1	4970-1	6305+2
	3031-2	3336-2	3978-2	4975-2	5564-2	0000	0000	0000	0000	3464-2	4234-2	3431+0	3460+0	6160+2
	1604+1	1765+1	2105+1	2634+1	2944+1	0000	0000	0000	0000					6550+2

PROJ RUN GROUP CONF MACH X/D  
0626 0021 0424 0005 5000+0 4955+0

	1	2	3	4	5	6	7	8	9	Po	q	Pinf	Re	To
02	6987+0	1979+0	1905+0	2155+0	2661+0	5095+0	6246+0	6959+0	6975+0	1329+2	4397+0	2513-1	4959-1	6310+2
	5256-2	1489-2	1433-2	1621-2	2152-2	3533-2	5149-2	5235-2	5247-2	3422-2	4031-2	3445+0	3473+0	6105+2
	2781+1	7879+0	7582+0	8576+0	1139+1	2022+1	2725+1	2769+1	2776+1					6410+2
03	6697+0	4219+0	2494+0	3541+0	0000	4555+0	4487+0	6050+0	6489+0	1330+2	4399+0	2514-1	4957-1	6315+2
	5035-2	3172-2	1875-2	2662-2	0000	3422-2	3373-2	4549-2	4879-2	3594-2	4188-2	3455+0	3469+0	6105+2
	2664+1	1678+1	9922+0	1408+1	0000	1516+1	1785+1	2407+1	2561+1					6415+2
04	6817+0	4599+0	5027+0	5560+0	5657+0	0000	0000	0000	0000	1328+2	4392+0	2510-1	4949-1	6315+2
	5133-2	3433-2	3754-2	4186-2	4405-2	0000	0000	0000	0000	3531-2	4141-2	3493+0	3501+0	6105+2
	2716+1	1816+1	2002+1	2215+1	2333+1	0000	0000	0000	0000					6415+2



PRJ	RUN	GROUP	CONF	NACH	X/D	1	2	3	4	5	6	7	8	9	10	11	12	13	14	15	16	17	18	19	20
0626	0022	0427	0005	4030+0	1000+0																				
02	2655+0	5319-1	6656-1	2449+0	1696+0	2011+0	2677+0	4807+0	8742+0	7322+1	5265+0	4624-1	4958-1	5920+2											
	3659-2	7265-3	9090-3	3344-2	2317-2	2747-2	3655-2	6565-2	1194-1	8223-2	9516-2	4725+0	4762+0	5920+2	6135+2										
	6152+0	1148+0	1436+0	5285+0	3661+0	4340+0	5777+0	1027+1	1657+1																
03	5152+0	3117+0	9940-1	2888+0	0000	2855+0	3357+0	3941+0	2744-1	7302+1	5259+0	4625-1	4952-1	5810+2											
	7050-2	4265-2	1223-2	3952-2	0000	3907-2	4607-2	5393-2	3754+3	8969-2	9688-2	4743+0	4798+0	5920+2	6120+2										
	1114+1	6739+0	1933+0	6245+0	0000	6173+0	7279+0	8522+0	5932-1																
04	5841+0	8507+0	9514+0	6699+0	8101+0	0000	0000	0000	0000	7334+1	5276+0	4641-1	4966-1	5820+2											
	7965-2	1160-1	1338-1	1186-1	1105-1	0000	0000	0000	0000	8906-2	9578-2	1562+0	4752+0	5930+2	6130+2										
	1259+1	1833+1	2115+1	1874+1	1745+1	0000	0000	0000	0000																
05	0000	6299-1	5619-1	0000	5371-1	1412+0	7071-1	0000	0000	7315+1	5263+0	4629-1	4935-1	5835+2											
	0000	8611-3	7082-3	0000	7343-3	1930-2	9667-3	0000	0000	8228-2	9469-2	1595+0	4862+0	5945+2	6145+2										
	0000	1361+0	1214+0	0000	1160+0	3050+0	1522+0	0000	0000																

PRJ	RUN	GROUP	CONF	NACH	X/D	1	2	3	4	5	6	7	8	9	10	11	12	13	14	15	16	17	18	19	20
0626	0022	0428	0005	3590+0	1000+0																				
02	5665-1	8969-2	1303-1	3850-1	4002-1	4349-1	5074-1	7876-1	1559+0	1168+1	1318+0	2133-2	9433-2	5930+2											
	4143-2	6554-3	9526-3	2849-2	2925-2	3479-2	3755-2	5756-2	1139-1	2251-2	2609-2	1127+0	1175+0	5485+2	5615+2										
	6207+0	9819-1	1427+0	4265+0	4362+0	4762+0	5956+0	8624+0	1707+1																
03	8707-1	7135-1	1017-1	3624-1	0000	6307-1	7255-1	8439-1	8709-1	1342+1	9520-1	9956-2	9250-2	5930+2											
	6459-2	5318-2	7576-3	2701-2	0000	4701-2	5403-2	6066-2	6191-2	2168-2	2578-2	1117+0	1152+0	5490+2	5615+2										
	9722+0	7967+0	1135+0	4047+0	0000	7043+0	8102+0	9088+0	9725+0																
04	8634-1	1127+0	1661+0	2103+0	1506+0	0000	0000	0000	0000	1359+1	1311+0	9070-2	9357-2	5835+2											
	6395-2	8293-2	1222-1	1522-1	1102-1	0000	0000	0000	0000	2054-2	2453-2	1131+0	1166+0	5495+2	5625+2										
	9555+0	1242+1	1931+1	2325+1	1659+1	0000	0000	0000	0000																
05	0000	1241-1	1158-1	0000	1152-1	2598-1	3404-1	0000	0000	1567+1	1017+0	9123-2	9411-2	5835+2											
	0000	9078-3	6476-3	0000	8426-3	1594-2	2490-2	0000	0000	2063-2	2406-2	1127+0	1170+0	5495+2	5620+2										
	0000	1360+0	1269+0	0000	1262+0	2837+0	3731+0	0000	0000																

TRAJ RUN GROUP CONF MACH X/D  
0626 0022 0429 0005 395040 297040

	1	2	3	4	5	6	7	8	9	10	11	12		
02	1524+0	5137-1	5053-1	6745-1	3027-1	1340+0	1791+0	1837+0	1119+0	1353+1	1011+0	5076-2	9374-2	5830+2
	1341-1	377E-2	371E-2	4951-2	6639-2	585E-2	1317-1	1351-1	8229-2	1853-2	2213-2	1135+0	1161+0	5735+2
	2009+1	5661+0	5568+0	7432+0	5946+0	1477+1	1574+1	2024+1	1233+1					
03	5951-1	1222+0	5945-1	5153-1	0000	1369+0	1172+0	1002+0	7869-1	1356+1	1005+0	5049-2	9347-2	5830+2
	6602-2	9453-2	4365-2	6753-2	0000	1007-1	8647-2	7369-2	5804-2	1797-2	2172-2	1127+0	1163+0	5690+2
	5852+0	1416+1	6569+0	1012+1	0000	1509+1	1295+1	1107+1	8596+0					
04	5427-1	1072+0	1194+0	1458+0	1566+0	0000	0000	0000	0000	1354+1	1007+0	5039-2	9337-2	5830+2
	6961-2	7958-2	8819-2	1076-1	1152-1	0000	0000	0000	0000	1781-2	2183-2	1127+0	1166+0	5690+2
	1043+1	1192+1	1321+1	1613+1	1726+1	0000	0000	0000	0000					

TRAJ RUN GROUP CONF MACH X/D  
0626 0022 0430 0005 395040 455540

	1	2	3	4	5	6	7	8	9	10	11	12		
02	1723+0	6221-1	5992-1	6512-1	6767-1	1212+0	1604+0	1776+0	1824+0	1369+1	1048+0	9133-2	9433-2	5830+2
	1559-1	4547-2	4384-2	5051-2	6407-2	5861-2	1163-1	1298-1	1333-1	1731-2	2051-2	1137+0	1174+0	5690+2
	1866+1	6812+0	6568+0	7566+0	2598+0	1328+1	1753+1	1945+1	1995+1					
03	4590+0	1382+0	7134-1	9350-1	0000	1393+0	1354+0	1258+0	1401+0	1371+1	1043+0	5148-2	9445-2	5830+2
	1160-1	1069-1	5205-2	6853-2	0000	1016-1	9577-2	9177-2	1022-1	1715-2	2094-2	1135+0	1174+0	5650+2
	1736+1	1511+1	7795+0	1027+1	0000	1922+1	1473+1	1373+1	1532+1					
04	1520+0	1761+0	1751+0	1323+0	1349+0	0000	0000	0000	0000	1372+1	1024+0	9153-2	9460-2	5830+2
	1174-1	1283-1	1276-1	9838-2	9831-2	0000	0000	0000	0000	1683-2	2172-2	1124+0	1166+0	5650+2
	1758+1	1922+1	1912+1	1444+1	1473+1	0000	0000	0000	0000					

PROJ RUN GROUP CORR EACH X/D  
0626 0022 0-31 0005 2980+0 1000+0

1	2	3	4	5	6	7	8	9	To	Re	To		
02	1036+0	1065-1	1033-1	1123-1	2803-1	8324-1	1128+0	1430+0	5931+0	1034+0	1664-1	6964-2	5815+2
	1747-1	1803-2	1742-2	1893-2	4737-2	1403-1	1902-1	2411-1	7735-2	3125-2	1239+0	1282+0	5385+2
	6227+0	6428-1	6211-1	6747-1	1688+0	5002+0	6781+0	8554+0					5400+2

1	2	3	4	5	6	7	8	9	To	Re	To		
03	1194+0	9697-1	1115-1	1807-1	0000	8819-1	1035+0	1133+0	5958+0	1039+0	1671-1	6955-2	5815+2
	2005-1	1625-1	1872-2	3032-2	0000	1489-1	1738-1	1902-1	8047-2	3465-2	1235+0	1273+0	5375+2
	7146+0	5802+0	6673-1	1081+0	0000	5276+0	6125+0	6965+0					5385+2

1	2	3	4	5	6	7	8	9	To	Re	To		
04	1154+0	1208+0	1549+0	1805+0	2093+0	0000	0000	0000	5947+0	1037+0	1668-1	6932-2	5810+2
	1940-1	2032-1	2605-1	3035-1	3531-1	0000	0000	0000	8125-2	8594-2	1245+0	1285+0	5360+2
	6916+0	7242+0	9287+0	1082+1	1258+1	0000	0000	0000					5370+2

1	2	3	4	5	6	7	8	9	To	Re	To		
05	0000	1726-1	1924-1	0000	1973-1	4016-1	3727-1	0000	5925+0	1034+0	1664-1	6971-2	5810+2
	0000	2911-2	3244-2	0000	3328-2	6774-2	6285-2	0000	8094-2	8947-2	1230+0	1262+0	5360+2
	0000	1038+0	1156+0	0000	1186+0	2414+0	2240+0	0000					5370+2

PROJ RUN GROUP CORR EACH X/D  
0626 0022 0-32 0005 2980+0 2970+0

1	2	3	4	5	6	7	8	9	To	Re	To		
02	1968+0	6084-1	6009-1	7464-1	1063+0	1555+0	1987+0	1515+0	5962+0	1039+0	1673-1	7009-2	5810+2
	3301-1	1020-1	1008-1	1252-1	1782-1	2677-1	3295-1	2553-1	4797-2	5156-2	1548+0	1270+0	5835+2
	1176+1	3638+0	3553+0	4482+0	6353+0	9543+0	1176+1	9265+0					

1	2	3	4	5	6	7	8	9	To	Re	To		
03	1563+0	1718+0	7042-1	1111+0	0000	1713+0	1639+0	1435+0	5940+0	1036+0	1657-1	6984-2	5810+2
	2631-1	2892-1	1320-1	1871-1	0000	2883-1	2757-1	2504-1	4672-2	5016-2	1215+0	1265+0	5835+2
	9377+0	1031+1	4705+0	6669+0	0000	1022+1	9828+0	8637+0					

1	2	3	4	5	6	7	8	9	To	Re	To		
04	1862+0	1263+0	1322+0	1380+0	1524+0	0000	0000	0000	5945+0	1037+0	1659-1	6989-2	5810+2
	2123-1	2124-1	2224-1	2322-1	2564-1	0000	0000	0000	4609-2	5000-2	1231+0	1273+0	5805+2
	7567+0	7572+0	7927+0	8276+0	5135+0	0000	0000	0000					5835+2



FAOJ	NUM	GROUP	CONF	FACE	X/D	1	2	3	4	5	6	7	8	9	PO	Q	Prnt	Re	To	
062E	0022	0433	0005	2980+0	4955+0															
02	1853+0	7757-1	7648-1	8352-1	1041+0	1421+0	1753+0	1821+0	1893+0	5951+0	1035+0	1065-1	6938-2	5815+2						
	3114-1	1303-1	1285-1	1403-1	1749-1	2387-1	2955-1	3151-1	3182-1	4659-2	4522-2	1234+0	1277+0	5735+2	5780+2					
	1110+1	4646+0	4580+0	5002+0	6234+0	5905+0	1068+1	1127+1	1134+1											
03	1631+0	1690+0	8980-1	1139+0	0000	1636+0	1652+0	1545+0	1511+0	5958+0	1039+0	1671-1	6925-2	5815+2						
	2737-1	2320-1	1507-1	1911-1	0000	2750-1	2773-1	2593-1	2536-1	4609-2	4522-2	1245+0	1277+0	5730+2	5785+2					
	9756+0	1005+1	5373+0	6813+0	0000	9803+0	9883+0	5243+0	5039+0											
04	1674+0	1816+0	1736+0	1836+0	1766+0	0000	0000	0000	0000	0000	0000	0000	0000	0000	5956+0	1039+0	1671-1	6925-2	5815+2	
	2811-1	3049-1	2915-1	3083-1	2964-1	0000	0000	0000	0000	0000	0000	0000	0000	0000	4594-2	4933-2	1247+0	1222+0	5730+2	5785+2
	1002+1	1087+1	1039+1	1099+1	1057+1	0000	0000	0000	0000	0000	0000	0000	0000	0000						

FAOJ	NUM	GROUP	CONF	FACE	X/D	1	2	3	4	5	6	7	8	9	PO	Q	Prnt	Re	To	
062E	0022	0434	0005	3000+0	1000+0															
02	7429+0	6575-1	6286-1	7255-1	3080+0	5304+0	6221+0	8051+0	1099+1	4313+1	7327+0	1174+0	4925-1	5835+2						
	1723-1	1524-2	1457-2	1682-2	7143-2	229-1	1468-1	1874-1	2549-1	4854-1	5271-1	2513+0	7615+0	5485+2	5510+2					
	6328+0	5559-1	5354-1	6179-1	2624+0	4518+0	5284+0	6883+0	9364+0											
03	7635+0	6671+0	6784-1	1272+0	0000	6404+0	6568+0	7005+0	6982+0	4293+1	7374+0	1170+0	4964-1	5840+2						
	1776-1	1552-1	1578-2	2959-2	0000	1489-1	1521-1	1623-1	1624-1	4851-1	5272-1	2515+0	7638+0	5450+2	5520+2					
	6923+0	5695+0	5796-1	1087+0	0000	5472+0	5953+0	5955+0	5965+0											
04	8037+0	5789+0	1155+1	1420+1	1565+1	0000	0000	0000	0000	4329+1	7426+0	1175+0	5012-1	5830+2						
	1856-1	2261-1	2667-1	3279-1	3614-1	0000	0000	0000	0000	4883-1	5259-1	2520+0	7642+0	5490+2	5525+2					
	6818+0	8305+0	9795+0	1205+1	1328+1	0000	0000	0000	0000											
05	0000	1164+0	1236+0	0000	1363+0	2898+0	1294+0	0000	0000	4328+1	7423+0	1178+0	5015-1	5825+2						
	0000	2668-2	2855-2	0000	3149-2	6695-2	2989-2	0000	0000	4903-1	5275-1	2529+0	7683+0	5490+2	5525+2					
	0000	9875-1	1049+0	0000	1157+0	2459+0	1098+0	0000	0000											

PROJ NUM GROUP COMP PACH W/D  
0622 0622 0435 0005 3000+0 2970+0

	1	2	3	4	5	6	7	8	9	Po	q	Pinf	Re	To
02	1437+1	4944+0	4844+0	5714+0	8624+0	1336+1	1414+1	1436+1	5310+0	4335+1	7436+0	1180+0	5011-1	5835+2
	3314-1	1140-1	1117-1	1310-1	2003-1	3001-1	3621-1	5312-1	2148-1	2352-1	2933-1	2522+0	7834+0	6400+2
	1217+1	4150+0	4104+0	4244+0	7358+0	1132+1	1152+1	1216+1	7359+0					5925+2
03	8674+0	1162+1	6779+0	9364+0	0000	1129+1	1054+1	1174+1	1160+1	4325+1	7418+0	1177+0	4999-1	5635+2
	2005-1	2886-1	1567-1	2165-1	0000	2751-1	2461-1	2715-1	2682-1	2839-1	2902-1	2515+0	7643+0	6405+2
	7364+0	9665+0	5758+0	7953+0	0000	1011+1	9040+0	9973+0	9553+0					5925+2
04	8900+0	9117+0	9115+0	1037+1	1132+1	0000	0000	0000	0000	4321+1	7411+0	1176+0	4955-1	5835+2
	2059-1	2109-1	2109-1	2399-1	2619-1	0000	0000	0000	0000	2817-1	2881-1	2527+0	7666+0	6400+2
	7566+0	7749+0	7748+0	8814+0	9622+0	0000	0000	0000	0000					5925+2

PROJ NUM GROUP COMP PACH W/D  
0626 0622 0436 0005 3000+0 4955+0

	1	2	3	4	5	6	7	8	9	Po	q	Pinf	Re	To
02	1343+1	6023+0	6026+0	6433+0	3096+0	1135+1	1295+1	1336+1	1365+1	4300+1	7375+0	1171+0	4971-1	5835+2
	3124-1	1415-1	1401-1	1496-1	1883-1	2639-1	3013-1	3112-1	3174-1	2805-1	2855-1	2509+0	7624+0	6090+2
	1147+1	5196+0	5147+0	5495+0	6916+0	9677+0	1107+1	1143+1	1165+1					5620+2
03	1220+1	1160+1	7493+0	9333+0	0000	1166+1	1095+1	1174+1	1195+1	4331+1	7463+0	1175+0	5026-1	5820+2
	2610-1	2679-1	1723-1	2155-1	0000	2696-1	2525-1	2671-1	2762-1	2797-1	2870-1	2510+0	7619+0	6090+2
	1035+1	9641+0	6354+0	7915+0	0000	9902+0	9257+0	9512+0	1014+1					5810+2
04	1291+1	1247+1	1295+1	1325+1	1013+1	0000	0000	0000	0000	4352+1	7464+0	1152+0	5049-1	5820+2
	2966-1	2866-1	2977-1	3044-1	3327-1	0000	0000	0000	0000	2516-1	2827-1	2521+0	7666+0	6090+2
	1090+1	1053+1	1054+1	1116+1	1549+0	0000	0000	0000	0000					5815+2

PROJ RUN GROUP CONF MACH I/D  
0626 0022 0437 0005 2000+0 1000+0

02 1154+0 2788-1 2779-1 2854-1 3050-1 4421-1 9415-1 1358+0 1759+0 2839+0 1016+0 3629-1 5476-2 5815+2  
4064-1 9819-2 9790-2 1005-1 1074-1 1582-1 3316-1 4785-1 6195-1 6195-1 3106-1 2942-1 1452+0 1498+0 5480+2 5435+2  
3179+0 7683-1 7660-1 7864-1 8405-1 1238+0 2595+0 3744+0 4847+0

03 1548+0 9182-1 2758-1 2781-1 0000 4815-1 1164+0 1433+0 1492+0 2827+0 1012+0 3613-1 5445-2 5820+2  
5476-1 3248-1 9757-2 9839-2 0000 1703-1 4117-1 5071-1 5279-1 3098-1 2927-1 1456+0 1491+0 5480+2 5435+2  
4285+0 2542+0 7634-1 7699-1 0000 1333+0 3221+0 3968+0 4131+0

04 1531+0 1534+0 1483+0 1616+0 1646+0 0000 0000 0000 0000 2825+0 1011+0 3611-1 5442-2 5820+2  
5419-1 5430-1 5249-1 5719-1 5828-1 0000 0000 0000 0000 3106-1 2920-1 1436+0 1473+0 5480+2 5440+2  
4239+0 4249+0 4108+0 4475+0 4559+0 0000 0000 0000 0000

05 0000 2759-1 3574-1 0000 4653-1 6705-1 4714-1 0000 0000 2814+0 1007+0 3597-1 5421-2 5820+2  
0000 9806-2 1269-1 0000 1653-1 2382-1 1675-1 0000 0000 3119-1 2916-1 1448+0 1480+0 5480+2 5440+2  
0000 7672-1 9937-1 0000 1294+0 1864+0 1311+0 0000 0000

PROJ RUN GROUP CONF MACH I/D  
0626 0022 0438 0005 2000+0 2970+0

02 2019+0 7394-1 7207-1 8699-1 1182+0 1595+0 1922+0 2027+0 2015+0 2820+0 1009+0 3605-1 5433-2 5820+2  
7157-1 2622-1 2555-1 3084-1 4189-1 5654-1 6815-1 7187-1 7143-1 1797-1 1847-1 1443+0 1474+0 5910+2 5885+2  
5599+0 2051+0 1999+0 2413+0 3278+0 4424+0 5332+0 5624+0 5589+0

03 1721+0 1822+0 8296-1 1066+0 0000 1714+0 1807+0 1783+0 1758+0 2817+0 1008+0 3601-1 5427-2 5820+2  
6108-1 6469-1 2944-1 3784-1 0000 6085-1 6413-1 6328-1 6241-1 1797-1 1845-1 1449+0 1479+0 5920+2 5885+2  
4779+0 5061+0 2304+0 2960+0 0000 4761+0 5018+0 4952+0 4883+0

04 1716+0 1665+0 1733+0 1758+0 1601+0 0000 0000 0000 0000 2831+0 1013+0 3619-1 5454-2 5820+2  
6062-1 5879-1 6122-1 6209-1 5653-1 0000 0000 0000 0000 1800-1 1852-1 1455+0 1486+0 5920+2 5885+2  
4743+0 4599+0 4790+0 4859+0 4423+0 0000 0000 0000 0000

PROJ RUN GROUP COMP MACH X/D  
 0626 0022 0439 0005 2000+0 4955+0

	1	2	3	4	5	6	7	8	9	Po	q	Pinf	Re	To
02	1955+0	9881-1	9672-1	1049+0	1238+0	1528+0	1811+0	1976+0	2000+0	2844+0	1018+0	3635-1	5478-2	5820+2
	6876-1	3474-1	3401-1	3689-1	4352-1	5373-1	6369-1	6949-1	7033-1	1813-1	1864-1	1457+0	1489+0	5860+2
	5379+0	2718+0	2661+0	2887+0	3405+0	4204+0	4984+0	5438+0	5503+0					5785+2
03	1770+0	1801+0	1049+0	1208+0	0000	1652+0	1822+0	1850+0	1809+0	2852+0	1020+0	3645-1	5493-2	5820+2
	6207-1	6314-1	3678-1	4237-1	0000	5792-1	6391-1	6488-1	6345-1	1814-1	1867-1	1459+0	1491+0	5860+2
	4857+0	4940+0	2878+0	3315+0	0000	4532+0	5000+0	5076+0	4965+0					5785+2
04	1759+0	1696+0	1739+0	1790+0	1815+0	0000	0000	0000	0000	2844+0	1018+0	3635-1	54	2 5825+2
	6186-1	5963-1	6114-1	6295-1	6383-1	0000	0000	0000	0000	1809-1	1855-1	1457+0	1491+0	5865+2
	4839+0	4666+0	4784+0	4925+0	4995+0	0000	0000	0000	0000					5785+2

c. Surface Pressures (Configuration 4)

*Contracts*

SAMPLE SURFACE PRESSURE PRINT-OUT

PO	TO	PINF	QINF	RE/IN	PB2
P3	P4	P5	P6	PB1	
P3/PO					
P3/PINF					
PO	TO	PINF	QINF	RE/IN	
PB3	PB4	PB5			
PB3/PO					
PB3/PINF					

NOTE: P3-P6 are forebody surface pressures as shown in  
Figure 1 (Configuration 4)  
PB1-PB5 are forebody base pressures as shown in  
Figure 1 (Configuration 4)

UNCLASSIFIED

AEDC(TARO, INC.) ARNOLD AFS, TENNESSEE  
VON KARMAN GAS DYNAMICS FACILITY  
GAS DYNAMIC WIND TUNNEL, SUPERSONIC (A)

PAGE NO. ONE

RUN	GROUP	CONF	MACH	ROLL	RE/IN
5	76	4	2.000	0	
PO	TO	PINF	QINF		

2.957E 00	5.565E 02	3.760E-01	1.058E 00	6.032E-02	
5.453E-01	4.953E-01	5.016E-01	5.065E-01	2.054E-01	P
1.844E-01	1.675E-01	1.696E-01	1.713E-01	6.945E-02	P/PU
1.443E 00	1.310E 00	1.327E 00	1.340E 00	5.434E-01	P/PU0
2.923E 00	5.585E 02	3.735E-01	1.046E 00	5.961E-02	
1.910E-01	1.865E-01	1.941E-01	0	0	P
6.534E-02	6.389E-02	6.642E-02	0	0	P/PU
5.113E-01	4.992E-01	5.197E-01	0	0	P/PU0

UNCLASSIFIED

AEDC(TARO, INC.) ARNOLD AFS, TENNESSEE  
VON KARMAN GAS DYNAMICS FACILITY  
GAS DYNAMIC WIND TUNNEL, SUPERSONIC (A)

PAGE NO. ONE

RUN	GROUP	CONF	MACH	ROLL	RE/IN
5	77	4	2.000	90.000	
PO	TO	PINF	QINF		

2.957E 00	5.600E 02	3.780E-01	1.054E 00	6.009E-02	
5.566E-01	5.013E-01	4.935E-01	4.962E-01	2.041E-01	P
1.882E-01	1.695E-01	1.669E-01	1.678E-01	6.903E-02	P/PU
1.473E 00	1.326E 00	1.306E 00	1.313E 00	5.401E-01	P/PU0
2.948E 00	5.600E 02	3.768E-01	1.055E 00	5.993E-02	
1.969E-01	1.815E-01	1.954E-01	0	0	P
6.679E-02	6.494E-02	6.629E-02	0	0	P/PU0
5.226E-01	5.062E-01	5.187E-01	0	0	P/PU0

UNCLASSIFIED

7 20 67

UNCLASSIFIED

AEDC(ARO,INC.)ARNOLD AFS, TENNESSEE  
VON KARMAN GAS DYNAMICS FACILITY  
GAS DYNAMIC WIND TUNNEL,SUPERSONIC (A)

PAGE NO. ONE  
RUN GROUP TO CONF MACH ROLL  
5 78 4 2.980 90.000  
PO TO PINF QINF RE/IN

5.930E 00	5.595E 02	1.664E-01	1.034E 00	7.378E-02	
2.800E-01	2.542E-01	2.462E-01	3.198E-01	7.132E-02	6.961E-02 P
4.722E-02	4.287E-02	4.151E-02	5.392E-02	1.203E-02	1.174E-02 P/PO
1.683E 00	1.528E 00	1.480E 00	1.922E 00	4.287E-01	4.184E-01 P/PO0
5.896E 00	5.590E 02	1.654E-01	1.024E 00	7.345E-02	
7.382E-02	6.869E-02	7.257E-02	0	0	0 P
1.252E-02	1.165E-02	1.231E-02	0	0	0 P/PO
4.463E-01	4.153E-01	4.387E-01	0	0	0 P/PO0

UNCLASSIFIED

AEDC(ARO,INC.)ARNOLD AFS, TENNESSEE  
VON KARMAN GAS DYNAMICS FACILITY  
GAS DYNAMIC WIND TUNNEL,SUPERSONIC (A)

PAGE NO. ONE  
RUN GROUP TO CONF MACH ROLL  
5 79 4 2.980 0  
PO TO PINF QINF RE/IN

5.885E 00	5.590E 02	1.651E-01	1.026E 00	7.331E-02	
2.757E-01	2.527E-01	2.370E-01	2.304E-01	7.069E-02	6.945E-02 P
4.685E-02	4.294E-02	4.026E-02	3.922E-02	1.201E-02	1.180E-02 P/PO
1.670E 00	1.531E 00	1.435E 00	1.398E 00	4.282E-01	4.207E-01 P/PO0
5.932E 00	5.590E 02	1.664E-01	1.034E 00	7.390E-02	
7.413E-02	6.962E-02	7.257E-02	0	0	0 P
1.250E-02	1.174E-02	1.223E-02	0	0	0 P/PO
4.454E-01	4.183E-01	4.360E-01	0	0	0 P/PO0

UNCLASSIFIED



7 20 67

UNCLASSIFIED

AEDC(ARO,INC.)ARNOLD AFS, TENNESSEE  
VON KARMAN GAS DYNAMICS FACILITY  
GAS DYNAMIC WIND TUNNEL,SUPERSONIC (A)

PAGE NO. ONE	CONF	MACH	ROLL
RUN GROUP	CONF	MACH	ROLL
PO TO	PINF	QINF	RE/IN
1.367E 01	5.550E 02	8.993E-02	1.002E 00
1.857E-01	1.074E-01	1.601E-01	3.535E-02
1.378E-02	1.242E-02	1.188E-02	2.623E-03
2.065E 00	1.861E 00	1.780E 00	3.931E-01
1.368E 01	5.580E 02	8.998E-02	1.003E 00
4.367E-02	3.699E-02	4.026E-02	0
3.239E-03	2.743E-03	2.986E-03	0
4.853E-01	4.110E-01	4.474E-01	0

UNCLASSIFIED

AEDC(ARO,INC.)ARNOLD AFS, TENNESSEE  
VON KARMAN GAS DYNAMICS FACILITY  
GAS DYNAMIC WIND TUNNEL,SUPERSONIC (A)

PAGE NO. ONE	CONF	MACH	ROLL
RUN GROUP	CONF	MACH	ROLL
PO TO	PINF	QINF	RE/IN
1.353E 01	5.630E 02	9.030E-02	1.006E 00
1.835E-01	1.694E-01	1.628E-01	3.410E-02
1.357E-02	1.252E-02	1.203E-02	2.521E-03
2.033E 00	1.876E 00	1.803E 00	3.777E-01
1.343E 01	5.650E 02	8.967E-02	9.993E-01
4.149E-02	3.590E-02	3.883E-02	0
3.088E-03	2.672E-03	2.890E-03	0
4.627E-01	4.003E-01	4.330E-01	0

UNCLASSIFIED

UNCLASSIFIED

AEDC(ARO, INC.) ARNOLD AFS, TENNESSEE  
VON KARMAN GAS DYNAMICS FACILITY  
GAS DYNAMIC WIND TUNNEL, SUPERSONIC (A)

PAGE NO.	ONE	CONF	MACH	ROLL
RUN	GROUP	CONF	MACH	ROLL
PO	TO	PINF	QINF	RE/IN
5	82	4	5.000	90.000
3.035E-01	5.890E-02	5.736E-02	1.004E-00	1.256E-01
1.462E-01	1.291E-01	1.244E-01	1.206E-01	1.760E-02
4.818E-03	4.255E-03	4.100E-03	3.473E-03	5.798E-04
2.549E-00	2.251E-00	2.169E-00	2.102E-00	3.068E-01
3.037E-01	5.890E-02	5.740E-02	1.005E-00	1.257E-01
2.782E-02	2.176E-02	2.435E-02	0	0
9.159E-04	7.163E-04	8.016E-04	0	0
4.846E-01	3.790E-01	4.241E-01	0	0

UNCLASSIFIED

AEDC(ARO, INC.) ARNOLD AFS, TENNESSEE  
VON KARMAN GAS DYNAMICS FACILITY  
GAS DYNAMIC WIND TUNNEL, SUPERSONIC (A)

PAGE NO.	ONE	CONF	MACH	ROLL
RUN	GROUP	CONF	MACH	ROLL
PO	TO	PINF	QINF	RE/IN
5	83	4	5.000	0
3.043E-01	5.890E-02	5.751E-02	1.006E-00	1.259E-01
1.388E-01	1.239E-01	1.239E-01	1.243E-01	1.837E-02
4.561E-03	4.071E-03	4.059E-03	4.045E-03	5.034E-04
2.413E-00	2.154E-00	2.153E-00	2.162E-00	3.145E-01
3.047E-01	5.890E-02	5.758E-02	1.009E-00	1.260E-01
2.704E-02	2.160E-02	2.419E-02	0	0
8.875E-04	7.090E-04	7.939E-04	0	0
4.696E-01	3.751E-01	4.201E-01	0	0

UNCLASSIFIED

d. Wake Centerline Measured Pressures and Temperatures (Configuration 2)

SAMPLE CENTERLINE PROBE PRINT-OUT

PO	TO	PINF	QINF	RE/IN	TT
PT	PB1	PB2	PB1/PINF	PB2/PINF	
PI	P1/PINF	P1/PO			

NOTE: Groups 1-40 are pitot pressures  
Groups 41-72 are static pressures  
Groups 73-111 are total temperatures

UNCLASSIFIED

AEDC(ARO,INC.)ARNOLD AFS, TENNESSEE  
VON KARMAN GAS DYNAMICS FACILITY  
GAS DYNAMIC WIND TUNNEL,SUPERSONIC (A)

PAGE NO.	ONE	CONF	MACH	X/D	TT
2	2.984E-00	3.814E-01	2.000	1.069E 00	6.049E-02
	PT	PB1	PR2	PB1/PINF	PB2/PINF
2	2.286E-01	2.019E-01	2.000	5.341E-01	5.294E-01
	PI	PI/PINF	PI/PO		
1	1.766E-01	4.630E-01	5.917E-02		
2	2.984E-00	3.814E-01	2.000	1.068E 00	6.049E-02
2	2.286E-01	2.019E-01	2.000	5.337E-01	5.294E-01
1	1.769E-01	4.638E-01	5.928E-02		

AEDC(ARO,INC.)ARNOLD AFS, TENNESSEE  
VON KARMAN GAS DYNAMICS FACILITY  
GAS DYNAMIC WIND TUNNEL,SUPERSONIC (A)

PAGE NO.	ONE	CONF	MACH	X/D	TT
2	2.968E-00	3.794E-01	2.000	1.062E 00	6.054E-02
	PT	PB1	PR2	PB1/PINF	PB2/PINF
2	2.228E-01	1.987E-01	1.996E-01	5.237E-01	5.260E-01
	PI	PI/PINF	PI/PO		
2	2.916E-01	7.687E-01	9.824E-02		
2	2.965E-00	3.790E-01	2.000	1.061E 00	6.048E-02
2	2.225E-01	1.987E-01	1.986E-01	5.243E-01	5.241E-01
2	2.910E-01	7.678E-01	9.813E-02		

UNCLASSIFIED

AEDC(ARO,INC.)ARNOLD AFS, TENNESSEE  
VON KARMAN GAS DYNAMICS FACILITY  
GAS DYNAMIC WIND TUNNEL,SUPERSONIC (A)

PAGE NO.	ONE	CONF	MACH	X/D	RE/IN	TT
1	3	2	2.000	2.006		
GVP	PO	TO	PINF	QINF	RE/IN	TT
2	2.893E-00	5.585E 02	3.697E-01	1.035E 00	5.900E-02	
	PI	PB1	PA2	PB1/PINF	PB2/PINF	
	2.176E-01	1.932E-01	1.932E-01	5.226E-01	5.225E-01	
	PI	PI/PINF	PI/PO			
	6.538E-01	1.768E 00	2.260E-01			
2	2.891E 00	5.585E 02	3.695E-01	1.035E 00	5.897E-02	
	2.175E-01	1.932E-01	1.929E-01	5.229E-01	5.220E-01	
	6.544E-01	1.771E 00	2.263E-01			

UNCLASSIFIED

AEDC(ARO,INC.)ARNOLD AFS, TENNESSEE  
VON KARMAN GAS DYNAMICS FACILITY  
GAS DYNAMIC WIND TUNNEL,SUPERSONIC (A)

PAGE NO.	ONE	CONF	MACH	X/D	RE/IN	TT
1	4	2	2.000	.516		
GVP	PO	TO	PINF	QINF	RE/IN	TT
2	2.852E 00	5.585E 02	3.645E-01	1.021E 00	5.823E-02	
	PI	PB1	PA2	PB1/PINF	PB2/PINF	
	2.140E-01	1.901E-01	1.896E-01	5.215E-01	5.202E-01	
	PI	PI/PINF	PI/PO			
	8.585E-01	2.355E 00	3.010E-01			
2	2.845E 00	5.575E 02	3.637E-01	1.018E 00	5.818E-02	
	2.136E-01	1.890E-01	1.894E-01	5.222E-01	5.209E-01	
	8.563E-01	2.355E 00	3.009E-01			

UNCLASSIFIED

UNCLASSIFIED

AEDCIARO, INC., ARNOLD AFS, TENNESSEE  
VON KARMAN GAS DYNAMICS FACILITY  
GAS DYNAMIC WIND TUNNEL, SUPERSONIC (A)

PAGE NO.	ONE	GROUP	CONF	MACH	X/D	TT
1	5	2	2.000	5.006		
2	5.575E 02	3.629E-01	1.016E 00	5.805E-02		
	PI	PB1	PINF	PB1/PINF	RE/IN	TT
2	1.907E-01	1.890E-01	5.255E-01	5.208E-01		
	PI	PI/PINF	P1/PO			
1	3.120E 00	3.988E-01				
2	5.575E 02	3.620E-01	1.014E 00	5.792E-02		
2	1.908E-01	1.898E-01	5.271E-01	5.241E-01		
1	3.112E 00	3.977E-01				

UNCLASSIFIED

VON KAPMAN GAS DYNAMICS FACILITY  
GAS DYNAMIC WIND TUNNEL, SUPERSONIC (A)

PAGE NO.	ONE	GROUP	CONF	MACH	X/D	TT
1	6	2	2.000	7.006		
2	5.580E 02	3.637E-01	1.019E 00	5.810E-02		
	PI	PB1	PINF	PB1/PINF	RE/IN	TT
2	1.915E-01	1.902E-01	5.265E-01	5.231E-01		
	PI	PI/PINF	P1/PO			
1	3.438E 00	4.394E-01				
2	5.580E 02	3.647E-01	1.021E 00	5.827E-02		
2	1.927E-01	1.904E-01	5.285E-01	5.221E-01		
1	3.437E 00	4.393E-01				

UNCLASSIFIED

UNCLASSIFIED

AEDC(ARO,INC.)ARNOLD AFS, TENNESSEE  
VON KARMAN GAS DYNAMICS FACILITY  
GAS DYNAMIC WIND TUNNEL,SUPERSONIC (A)

PAGE NO.	ONE	CONF	MACH	X/D	TT
1	7	2	2.000	6.522	
GVP	PO	TO	PINF	QINF	RE/IN
2	2.921E-00	5.580E 02	3.733E-01	1.045E 00	5.965E-02
	PI	PB1	PR2	PB1/PINF	PB2/PINF
	2.190E-01	1.963E-01	1.947E-01	5.259E-01	5.216E-01
	PI	PI/PINF	PI/PO		
	1.436E 00	3.846E 00	4.916E-01		
2	2.927E 00	5.580E 02	3.741E-01	1.048E 00	5.978E-02
	2.205E-01	1.962E-01	1.955E-01	5.243E-01	5.226E-01
	1.437E 00	3.840E 00	4.909E-01		

UNCLASSIFIED

AEDC(ARO,INC.)ARNOLD AFS, TENNESSEE  
VON KARMAN GAS DYNAMICS FACILITY  
GAS DYNAMIC WIND TUNNEL,SUPERSONIC (A)

PAGE NO.	ONE	CONF	MACH	X/D	TT
1	8	2	2.000	11.000	
GVP	PO	TO	PINF	QINF	RE/IN
2	2.968E 00	5.590E 02	3.794E-01	1.062E 00	6.047E-02
	PI	PB1	PR2	PB1/PINF	PB2/PINF
	2.225E-01	1.985E-01	1.972E-01	5.233E-01	5.199E-01
	PI	PI/PINF	PI/PO		
	1.536E 00	4.049E 00	5.175E-01		
2	2.968E 00	5.590E 02	3.794E-01	1.062E 00	6.047E-02
	2.236E-01	1.987E-01	1.972E-01	5.237E-01	5.199E-01
	1.539E 00	4.057E 00	5.186E-01		

UNCLASSIFIED



UNCLASSIFIED

AEDC(ARO,INC.)ARNOLD AFS, TENNESSEE  
VON KARMAN GAS DYNAMICS FACILITY  
GAS DYNAMIC WIND TUNNEL-SUPERSONIC (A)

PAGE NO.	ONE	CONF	MACH	X/D	RE/IN	TT
1	9	2	2.000	11.006		
2	5.570E-02	3.715E-01	1.040E 00	QINF	5.951E-02	
	PT	PB1	PR2	PB1/PINF	PB2/PINF	
2	1.926E-01	1.922E-01	5.183E-01	5.175E-01		
	P1	P1/PINF	P1/PO			
1	4.010E 00	5.126E-01				
2	5.570E 02	3.727E-01	1.044E 00	5.970E-02		
2	1.932E-01	1.919E-01	5.183E-01	5.149E-01		
1	4.016E 00	5.133E-01				

UNCLASSIFIED

AEDC(ARO,INC.)ARNOLD AFS, TENNESSEE  
VON KARMAN GAS DYNAMICS FACILITY  
GAS DYNAMIC WIND TUNNEL-SUPERSONIC (A)

PAGE NO.	ONE	CONF	MACH	X/D	RE/IN	TT
1	10	2	2.000	9.012		
2	5.570E-02	3.711E-01	1.039E 00	QINF	5.944E-02	
	PT	PB1	PB2	PB1/PINF	PB2/PINF	
2	1.923E-01	1.910E-01	5.181E-01	5.147E-01		
	P1	P1/PINF	P1/PO			
1	3.798E 00	4.853E-01				
2	5.570E 02	3.707E-01	1.038E 00	5.938E-02		
2	1.934E-01	1.915E-01	5.216E-01	5.165E-01		
1	3.793E 00	4.848E-01				

UNCLASSIFIED

UNCLASSIFIED

AEDC(ARO, INC.) ARNOLD AFS, TENNESSEE  
VON KARMAN GAS DYNAMICS FACILITY  
GAS DYNAMIC WIND TUNNEL, SUPERSONIC (A)

PAGE NO.	ONE	CONF	MACH	X/D	RE/IN	TT
1	11	2	2.000	7.006		
GVP	PO					
2	2.921E-00	5.565E-02	3.733E-01	1.045E-00	5.987E-02	
	PI	PB1	PR2	P1/PINF	PB2/PINF	
	2.159E-01	1.935E-01	1.916E-01	5.183E-01	5.133E-01	
	PI	P1/PINF	P1/PO			
	1.272E-00	3.406E-00	4.353E-01			
2	2.912E-00	5.565E-02	3.721E-01	1.042E-00	5.968E-02	
	2.158E-01	1.924E-01	1.916E-01	5.171E-01	5.149E-01	
	1.263E-00	3.394E-00	4.337E-01			

UNCLASSIFIED

AEDC(ARO, INC.) ARNOLD AFS, TENNESSEE  
VON KARMAN GAS DYNAMICS FACILITY  
GAS DYNAMIC WIND TUNNEL, SUPERSONIC (A)

PAGE NO.	ONE	CONF	MACH	X/D	RE/IN	TT
1	12	2	2.000	5.006		
GVP	PO					
2	2.923E-00	5.566E-02	3.735E-01	1.046E-00	5.998E-02	
	PI	PB1	PR2	P1/PINF	PB2/PINF	
	2.161E-01	1.924E-01	1.918E-01	5.151E-01	5.134E-01	
	PI	P1/PINF	P1/PO			
	1.135E-00	3.039E-00	3.884E-01			
2	2.921E-00	5.566E-02	3.733E-01	1.045E-00	5.995E-02	
	2.161E-01	1.932E-01	1.913E-01	5.175E-01	5.124E-01	
	1.134E-00	3.037E-00	3.881E-01			

UNCLASSIFIED

UNCLASSIFIED

AEDC(ARO, INC.) ARNOLD AFS, TENNESSEE  
VON KARMAN GAS DYNAMICS FACILITY  
GAS DYNAMIC WIND TUNNEL, SUPERSONIC (A)

PAGE NO.	ONE	CONF	MACH	X/D	TT
1	13	2	2.000	3.006	
2	5.560E-02	3.731E-01	1.045E 00	5.992E-02	
	P1	PR2	P81/PINF	P82/PINF	
	1.924E-01	1.913E-01	5.157E-01	5.127E-01	
	P1	P1/PINF	P1/PO		
	8.604E-01	2.306E 00	2.947E-01		
2	5.560E 02	3.731E-01	1.045E 00	5.992E-02	
	2.158E-01	1.934E-01	1.918E-01	5.140E-01	
	8.591E-01	2.303E 00	2.943E-01		

UNCLASSIFIED

AEDC(ARO, INC.) ARNOLD AFS, TENNESSEE  
VON KARMAN GAS DYNAMICS FACILITY  
GAS DYNAMIC WIND TUNNEL, SUPERSONIC (A)

PAGE NO.	ONE	CONF	MACH	X/D	TT
1	14	2	2.000	2.012	
2	5.555E-02	3.709E-01	1.039E 00	5.964E-02	
	P1	PR2	P81/PINF	P82/PINF	
	1.915E-01	1.915E-01	5.162E-01	5.162E-01	
	P1	P1/PINF	P1/PO		
	6.465E-01	1.743E 00	2.228E-01		
2	5.555E 02	3.723E-01	1.043E 00	5.986E-02	
	2.154E-01	1.934E-01	1.904E-01	5.113E-01	
	6.465E-01	1.736E 00	2.219E-01		

UNCLASSIFIED

UNCLASSIFIED

AEDC(ARO, INC.) ARNOLD AFS, TENNESSEE  
VON KARMAN GAS DYNAMICS FACILITY  
GAS DYNAMIC WIND TUNNEL, SUPERSONIC (A)

PAGE NO.	ONE	CONF	MACH	X/D	TT
1	15	2	2.000	1.006	
GVP	PO	TO	PINF	QINF	RE/IN
2	2.920E-00	5.555E-02	3.731E-01	1.045E-00	5.999E-02
	PT	PB1	PR2	PB1/PINF	PB2/PINF
	2.148E-01	1.934E-01	1.908E-01	5.182E-01	5.115E-01
	PI	PI/PINF	PI/PO		
	2.814E-01	7.541E-01	9.638E-02		
2	2.921E-00	5.555E-02	3.733E-01	1.045E-00	6.002E-02
	2.151E-01	1.927E-01	1.910E-01	5.162E-01	5.116E-01
	2.814E-01	7.537E-01	9.633E-02		

UNCLASSIFIED

AEDC(ARO, INC.) ARNOLD AFS, TENNESSEE  
VON KARMAN GAS DYNAMICS FACILITY  
GAS DYNAMIC WIND TUNNEL, SUPERSONIC (A)

PAGE NO.	ONE	CONF	MACH	X/D	TT
1	16	2	2.000	.509	
GVP	PO	TO	PINF	QINF	RE/IN
2	2.959E-00	5.560E-02	3.782E-01	1.059E-00	6.073E-02
	PT	PB1	PR2	PB1/PINF	PB2/PINF
	2.234E-01	1.987E-01	1.989E-01	5.254E-01	5.261E-01
	PI	PI/PINF	PI/PO		
	1.709E-01	4.520E-01	5.776E-02		
2	2.956E-00	5.565E-02	3.778E-01	1.058E-00	6.059E-02
	2.240E-01	1.999E-01	1.988E-01	5.293E-01	5.262E-01
	1.714E-01	4.537E-01	5.798E-02		

UNCLASSIFIED

UNCLASSIFIED

AEDC (ARO, INC.) ARNOLD AFS, TENNESSEE  
VON KARMAN GAS DYNAMICS FACILITY  
GAS DYNAMIC WIND TUNNEL, SUPERSONIC (A)

PAGE NO.	ONE	CONF	MACH	X/D	RE/IN	TT
1	17	2	2.980	11.006		
2	5.956E-00	1.671E-01	1.039E 00	7.420E-02		
	PT	PB1	PB1/PINF	PB2/PINF		
	4.753E-02	4.560E-02	4.670E-02	2.729E-01	2.795E-01	
	P1	P1/PINF	P1/PO			
	1.292E 00	7.732E 00	2.169E-01			
2	5.957E 00	5.590E 02	1.671E-01	1.039E 00	7.422E-02	
	4.753E-02	4.575E-02	4.686E-02	2.738E-01	2.804E-01	
	1.291E 00	7.725E 00	2.167E-01			

UNCLASSIFIED

VON KARMAN GAS DYNAMICS FACILITY  
GAS DYNAMIC WIND TUNNEL, SUPERSONIC (A)

PAGE NO.	ONE	CONF	MACH	X/D	RE/IN	TT
1	18	2	2.980	9.012		
2	5.920E-00	5.590E 02	1.661E-01	1.032E 00	7.374E-02	
	PT	PB1	PR2	PB1/PINF	PB2/PINF	
	4.784E-02	4.513E-02	4.701E-02	2.717E-01	2.831E-01	
	P1	P1/PINF	P1/PO			
	1.162E 00	6.997E 00	1.963E-01			
2	5.921E 00	5.585E 02	1.661E-01	1.033E 00	7.386E-02	
	4.706E-02	4.544E-02	4.701E-02	2.736E-01	2.830E-01	
	1.165E 00	7.014E 00	1.968E-01			

UNCLASSIFIED

UNCLASSIFIED

AEDC(ARO,INC.)ARNOLD AFS, TENNESSEE  
VON KARMAN GAS DYNAMICS FACILITY  
GAS DYNAMIC WIND TUNNEL,SUPERSONIC (A)

PAGE NO.	ONE	CONF	MACH	X/D	TT
1	19	2	2.980	7.006	
GVP	PO	TO	PINF	QINF	RE/IN
2	5.907E 00	5.585E-02	1.657E-01	1.030E 00	7.369E-02
	PT	PB1	PR2	PB1/PINF	PB2/PINF
	4.722E-02	4.497E-02	4.686E-02	2.714E-01	2.828E-01
	P1	P1/PINF	P1/PO		
	1.057E 00	6.379E 00	1.789E-01		
2	5.902E 00	5.585E 02	1.656E-01	1.029E 00	7.363E-02
	4.628E-02	4.528E-02	4.623E-02	2.735E-01	2.792E-01
	1.054E 00	6.365E 00	1.786E-01		

UNCLASSIFIED

AEDC(ARO,INC.)ARNOLD AFS, TENNESSEE  
VON KARMAN GAS DYNAMICS FACILITY  
GAS DYNAMIC WIND TUNNEL,SUPERSONIC (A)

PAGE NO.	ONE	CONF	MACH	X/D	TT
1	20	2	2.980	5.006	
GVP	PO	TO	PINF	QINF	RE/IN
2	5.886E 00	5.585E-02	1.651E-01	1.027E 00	7.343E-02
	PT	PB1	PR2	PB1/PINF	PB2/PINF
	4.706E-02	4.466E-02	4.623E-02	2.704E-01	2.800E-01
	P1	P1/PINF	P1/PO		
	9.385E-01	5.683E 00	1.594E-01		
2	5.877E 00	5.585E 02	1.649E-01	1.025E 00	7.331E-02
	4.659E-02	4.497E-02	4.592E-02	2.728E-01	2.785E-01
	9.381E-01	5.690E 00	1.596E-01		

UNCLASSIFIED

UNCLASSIFIED

AEDC(ARO, INC.) ARNOLD AFS, TENNESSEE  
VON KARMAN GAS DYNAMICS FACILITY  
GAS DYNAMIC WIND TUNNEL, SUPERSONIC (A)

PAGE NO.	ONE	GROUP	CONF	MACH	X/D	RE/IN	TT
1	21	2	2.980	3.006			
GVP	PO	TO	PINF	QINF	RE/IN	TT	
2	5.850E-00	5.585E-02	1.641E-01	1.020E-00	7.298E-02		
	PI	PB1	PR2	PB1/PINF	PB2/PINF		
	4.659E-02	4.450E-02	4.561E-02	2.711E-01	2.779E-01		
	PI	P1/PINF	P1/PO				
	7.698E-01	4.690E-00	1.316E-01				
2	5.845E-00	5.585E-02	1.640E-01	1.019E-00	7.292E-02		
	4.628E-02	4.481E-02	4.545E-02	2.733E-01	2.772E-01		
	7.705E-01	4.699E-00	1.318E-01				

UNCLASSIFIED

VON KARMAN GAS DYNAMICS FACILITY  
GAS DYNAMIC WIND TUNNEL, SUPERSONIC (A)

PAGE NO.	ONE	GROUP	CONF	MACH	X/D	RE/IN	TT
1	22	2	2.980	2.006			
GVP	PO	TO	PINF	QINF	RE/IN	TT	
2	5.885E-00	5.585E-02	1.651E-01	1.026E-00	7.341E-02		
	PI	PB1	PR2	PB1/PINF	PB2/PINF		
	4.659E-02	4.434E-02	4.577E-02	2.684E-01	2.772E-01		
	PI	P1/PINF	P1/PO				
	5.760E-01	3.489E-00	9.788E-02				
2	5.883E-00	5.585E-02	1.650E-01	1.026E-00	7.339E-02		
	4.628E-02	4.466E-02	4.592E-02	2.706E-01	2.782E-01		
	5.765E-01	3.493E-00	9.799E-02				

UNCLASSIFIED

UNCLASSIFIED

AEDC(ARO,INC.)ARNOLD AFS, TENNESSEE  
VON KARMAN GAS DYNAMICS FACILITY  
GAS DYNAMIC WIND TUNNEL SUPersonic (A)

PAGE NO.	ONE	GROUP	CONF	MACH	X/D	TT
1	23	2	2.980	1.006		
GVP	PO	TO	PINF	QINF	RE/IN	
2	5.875E-00	5.59E-02	1.649E-01	1.025E 00	7.319E-02	
	PT	PB1	PR2	PB1/PINF	PB2/PINF	
	4.597E-02	4.419E-02	4.561E-02	2.691E-01	2.767E-01	
	P1	P1/PINF	P1/PO			
	1.320E-01	8.011E-01	2.247E-02			
2	5.877E 00	5.590E 02	1.649E-01	1.025E 00	7.321E-02	
	4.597E-02	4.466E-02	4.561E-02	2.709E-01	2.766E-01	
	1.331E-01	8.076E-01	2.266E-02			

UNCLASSIFIED

AEDC(ARO,INC.)ARNOLD AFS, TENNESSEE  
VON KARMAN GAS DYNAMICS FACILITY  
GAS DYNAMIC WIND TUNNEL SUPersonic (A)

PAGE NO.	ONE	GROUP	CONF	MACH	X/D	TT
1	24	2	2.980	.509		
GVP	PO	TO	PINF	QINF	RE/IN	
2	5.85RE 00	5.600E 02	1.643E-01	1.022E 00	7.278E-02	
	PT	PB1	PB2	PB1/PINF	PB2/PINF	
	4.628E-02	4.450E-02	4.514E-02	2.709E-01	2.747E-01	
	P1	P1/PINF	P1/PO			
	3.824E-02	2.327E-01	6.528E-03			
2	5.85RE 00	5.600E 02	1.643E-01	1.022E 00	7.278E-02	
	4.597E-02	4.466E-02	4.514E-02	2.717E-01	2.747E-01	
	3.809E-02	2.318E-01	6.502E-03			

UNCLASSIFIED



UNCLASSIFIED

AEDC (ARO, INC.) ARNOLD AFS, TENNESSEE  
VON KARMAN GAS DYNAMICS FACILITY  
GAS DYNAMIC WIND TUNNEL, SUPERSONIC (A)

PAGE NO.	ONE	GROUP	CONF	MACH	X/D	RE/IN	TT
2	1.351E-01	25	2	3.990	11.000	9.853E-02	
		TO			QINF		
		P1			P1/PINF		
		P2			P2/PINF		
		P1/PIN			P1/PO		
		1.105E-01			7.374E-02		
2	1.350E-01	26	2	3.990	11.000	9.834E-02	
		TO			QINF		
		P1			P1/PINF		
		P2			P2/PINF		
		P1/PIN			P1/PO		
		1.105E-01			7.377E-02		

UNCLASSIFIED

AEDC (ARO, INC.) ARNOLD AFS, TENNESSEE  
VON KARMAN GAS DYNAMICS FACILITY  
GAS DYNAMIC WIND TUNNEL, SUPERSONIC (A)

PAGE NO.	ONE	GROUP	CONF	MACH	X/D	RE/IN	TT
2	1.356E-01	26	2	3.990	9.006	9.834E-02	
		TO			QINF		
		P1			P1/PINF		
		P2			P2/PINF		
		P1/PIN			P1/PO		
		1.032E-01			6.889E-02		
2	1.358E-01	26	2	3.990	9.006	9.852E-02	
		TO			QINF		
		P1			P1/PINF		
		P2			P2/PINF		
		P1/PIN			P1/PO		
		1.030E-01			6.872E-02		

UNCLASSIFIED

UNCLASSIFIED

AEDC (ARO, INC.) ARNOLD AFS, TENNESSEE  
VON KARMAN GAS DYNAMICS FACILITY  
GAS DYNAMIC WIND TUNNEL, SUPERSONIC (A)

PAGE NO.	ONE	CONF	MACH	X/D	TT
2	1.357E-01	2	3.990	7.000	
	PT				
	1.751E-02	9.058E-02	1.009E 00	9.885E-02	
	PI	PR2	PR1/PINF	PR2/PINF	
	1.990E-02	2.070E-02	2.197E-01	2.286E-01	
	PI	PI/PIN	PI/PO		
	0.551E-01	9.440E 00	6.301E-02		
2	1.356E 01	9.053E-02	1.009E 00	9.880E-02	6.300E 02
	1.689E-02	2.005E-02	2.070E-02	2.216E-01	2.287E-01
	0.554E-01	9.449E 00	6.307E-02		

UNCLASSIFIED

AEDCIARO, INC.) ARNOLD AFS, TENNESSEE  
VON KARMAN GAS DYNAMICS FACILITY  
GAS DYNAMIC WIND TUNNEL SUPERSONIC (A)

PAGE NO.	ONE	VP	PO	GROUP	CONF	MACH	X/D	RE/IN	TT
2	1.355E-01	28	TO	2	3.990	5.000			
	5.620E-02				9.042E-02	1.004E-00		9.868E-02	
	PI	PB1	PR2		PINF	QINF		PB2/PINF	
	1.704E-02	1.927E-02	2.101E-02		2.131E-01	2.324E-01			
	PI	PI/PIN	PI/PO						
	7.387E-01	8.170E-00	5.453E-02						
2	1.355E-01	5.620E-02	9.042E-02		1.008E-00	9.868E-02			
	1.657E-02	2.037E-02	2.101E-02		2.253E-01	2.324E-01			
	7.391E-01	8.174E-00	5.455E-02						

UNCLASSIFIED

UNCLASSIFIED

AEDC(ARO,INC.)ARNOLD AFS, TENNESSEE  
VON KARMAN GAS DYNAMICS FACILITY  
GAS DYNAMIC WIND TUNNEL,SUPERSONIC (A)

PAGE NO.	ONE	CONF	MACH	X/D	RE/IN
2	1.354E 01	9.037E-02	3.990	3.000	9.889E-02
	PI	PR2			P82/PINF
	1.704E-02	2.070E-02	2.133E-01		2.291E-01
	PI	PI/PIN-			
	6.191E-01	6.851E 00	4.573E-02		
2	1.354E 01	9.037E-02	1.007E 00		9.889E-02
	1.673E-02	1.990E-02	2.070E-02		2.291E-01
	6.195E-01	6.855E 00	4.575E-02		

UNCLASSIFIED

AEDC(ARO,INC.)ARNOLD AFS, TENNESSEE  
VON KARMAN GAS DYNAMICS FACILITY  
GAS DYNAMIC WIND TUNNEL,SUPERSONIC (A)

PAGE NO.	ONE	CONF	MACH	X/D	RE/IN
2	1.354E 01	9.037E-02	3.990	2.006	9.889E-02
	PI	PR2			P82/PINF
	1.704E-02	2.039E-02	2.133E-01		2.257E-01
	PI	PI/PIN-			
	4.767E-01	5.275E 00	3.521E-02		
2	1.354E 01	9.037E-02	1.007E 00		9.889E-02
	1.657E-02	1.990E-02	2.055E-02		2.274E-01
	4.777E-01	5.286E 00	3.528E-02		

UNCLASSIFIED

UNCLASSIFIED

AEDC(IAR, INC.) ARNOLD AFS, TENNESSEE  
VON KARMAN GAS DYNAMICS FACILITY  
GAS DYNAMIC WIND TUNNEL SUPERSONIC (A)

PAGE NO.	ONE	CONF	MACH	X/D	RE/IN	TT
2	1.358E 01	5.600E 02	3.990	1.000	9.927E-02	
	PI	P81	PINF	QINF	P81/PINF	P82/PINF
	1.704E-02	1.959E-02	2.070E-02	2.165E-01	2.289E-01	
	PI	P1/PIN-	P1/PO			
	1.311E-01	1.449E 00	9.672E-03			
2	1.358E 01	5.600E 02	3.990	1.000	9.944E-02	
	1.673E-02	2.006E-02	2.070E-02	2.213E-01	2.284E-01	
	1.325E-01	1.462E 00	9.759E-03			

UNCLASSIFIED

UNCLASSIFIED

AEDC(IAR, INC.) ARNOLD AFS, TENNESSEE  
VON KARMAN GAS DYNAMICS FACILITY  
GAS DYNAMIC WIND TUNNEL SUPERSONIC (A)

PAGE NO.	ONE	CONF	MACH	X/D	RE/IN	TT
2	1.357E 01	5.590E 02	3.990	.503	9.965E-02	
	PI	P81	PINF	QINF	P81/PINF	P82/PINF
	1.704E-02	1.990E-02	2.070E-02	2.197E-01	2.286E-01	
	PI	P1/PIN-	P1/PO			
	2.770E-02	3.058E-01	2.041E-03			
2	1.359E 01	5.590E 02	3.990	1.011E 00	9.977E-02	
	1.689E-02	2.021E-02	2.070E-02	2.229E-01	2.283E-01	
	2.691E-02	2.968E-01	1.981E-03			

UNCLASSIFIED

UNCLASSIFIED

AEDC(ARO,INC.)ARNOLD AFS, TENNESSEE  
VON KARMAN GAS DYNAMICS FACILITY  
GAS DYNAMIC WIND TUNNEL+SUPERSONIC (A)

PAGE NO.	ONE	CONF	MACH	X/D
2	33	2	5.010	11.000
VP	PO	TO	PINF	QINF
2	3.063E-01	5.600E-02	5.723E-02	1.005E-00
	PT	PB1	PB2	PB1/PINF
	1.313E-02	1.034E-02	1.323E-02	1.907E-01
	PI	PI/PIN	PI/PO	RE/IN
	8.338E-01	1.457E-01	2.722E-02	1.361E-01
	2	3.064E-01	5.600E-02	5.724E-02
	1.282E-02	1.207E-02	1.292E-02	2.109E-01
	8.333E-01	1.456E-01	2.720E-02	2.257E-01

UNCLASSIFIED

AEDC(ARO,INC.)ARNOLD AFS, TENNESSEE  
VON KARMAN GAS DYNAMICS FACILITY  
GAS DYNAMIC WIND TUNNEL+SUPERSONIC (A)

PAGE NO.	ONE	CONF	MACH	X/D
2	34	2	5.010	9.000
VP	PO	TO	PINF	QINF
2	3.048E-01	5.600E-02	5.679E-02	9.977E-01
	PT	PB1	PB2	PB1/PINF
	1.110E-02	9.089E-03	1.245E-02	1.600E-01
	PI	PI/PIN	PI/PO	RE/IN
	7.844E-01	1.381E-01	2.580E-02	1.350E-01
	2	3.029E-01	5.600E-02	5.658E-02
	1.094E-02	1.019E-02	1.199E-02	1.800E-01
	7.833E-01	1.384E-01	2.586E-02	2.118E-01

UNCLASSIFIED

UNCLASSIFIED

AEDC(ARO,INC.)ARNOLD AFS, TENNESSEE  
VON KARMAN GAS DYNAMICS FACILITY  
GAS DYNAMIC WIND TUNNEL SUPersonic (A)

PAGE NO.	ONE	CONF	MACH	X/D	RE/IN
2	3.039E-01	5.600E-02	5.010	7.000	1.350E-01
VP	PO	IO	PINF	QINF	RE/IN
	PT	PB1	PR2	PB1/PINF	PB2/PINF
	1.001E-02	8.144E-03	1.152F-02	1.435E-01	2.029E-01
	PI	PI/PIN-	PI/PO		
	7.065E-01	1.244E 01	2.325F-02		
2	3.039E 01	5.600E 02	5.677E-02	9.975E-01	1.350E-01
	1.001E-02	9.558E-03	1.167E-02	1.684E-01	2.057E-01
	7.065E-01	1.244E 01	2.325F-02		

UNCLASSIFIED

AEDC(ARO,INC.)ARNOLD AFS, TENNESSEE  
VON KARMAN GAS DYNAMICS FACILITY  
GAS DYNAMIC WIND TUNNEL SUPersonic (A)

PAGE NO.	ONE	CONF	MACH	X/D	RE/IN
2	3.061E 01	5.600E 02	5.718E-02	1.005E 00	1.360E-01
VP	PO	IO	PINF	QINF	RE/IN
	PT	PB1	PR2	PB1/PINF	PB2/PINF
	9.068E-03	7.835E-03	1.059E-02	1.370E-01	1.851E-01
	PI	PI/PIN	PI/PO		
	6.025E-01	1.054E 01	1.968F-02		
2	3.064E 01	5.600E 02	5.724E-02	1.006E 00	1.361E-01
	9.068E-03	9.715E-03	1.043E-02	1.697E-01	1.822E-01
	6.029E-01	1.053E 01	1.968F-02		

UNCLASSIFIED

UNCLASSIFIED

AEDCIARO, INC., ARNOLD AFS, TENNESSEE  
VON KARMAN GAS DYNAMICS FACILITY  
GAS DYNAMIC WIND TUNNEL, SUPERSONIC (A)

PAGE NO.	ONE	CONF	MACH	X/D	TT
VP	PO	TO	PI/PIN	PI/PO	
2	3.103E-01	5.600E-02	5.797E-02	1.019E-00	1.378E-01
	PI	PB1	PB2	PI/PINF	PB2/PINF
8.286E-03	7.835E-03	1.059E-02	1.351E-01	1.826E-01	
4.404E-01	7.596E-00	1.419E-02			
2	3.102E-01	5.600E-02	5.796E-02	1.018E-00	1.378E-01
8.443E-03	9.872E-03	1.059E-02	1.703E-01	1.826E-01	
4.405E-01	7.601E-00	1.420E-02			

UNCLASSIFIED

AEDCIARO, INC., ARNOLD AFS, TENNESSEE  
VON KARMAN GAS DYNAMICS FACILITY  
GAS DYNAMIC WIND TUNNEL, SUPERSONIC (A)

PAGE NO.	ONE	CONF	MACH	X/D	TT
VP	PO	TO	PI/PIN	PI/PO	
2	3.053E-01	5.600E-02	5.703E-02	1.002E-00	1.356E-01
	PI	PB1	PB2	PI/PINF	PB2/PINF
8.286E-03	7.991E-03	1.074E-02	1.401E-01	1.883E-01	
3.330E-01	5.819E-00	1.091E-02			
2	3.061E-01	5.600E-02	5.718E-02	1.005E-00	1.360E-01
8.286E-03	9.872E-03	1.074E-02	1.726E-01	1.878E-01	
3.330E-01	5.824E-00	1.088E-02			

UNCLASSIFIED



UNCLASSIFIED

AEDC(ARO, INC.) ARNOLD AFS, TENNESSEE  
VON KARMAN GAS DYNAMICS FACILITY  
GAS DYNAMIC WIND TUNNEL, SUPERSONIC (A)

PAGE NO. ONE

VP	PO	TO	CONF	MACH	X/D	RE/IN	TT
2	3.054E-01	5.600E-02	2	5.010	1.000	1.356E-01	
	PI	P81	PR2	PINF	QINF	P81/PINF	P82/PINF
	7.661E-03	7.991E-03	1.074E-02	1.401E-01	1.883E-01		
	PI	PI/PIN-	PI/PQ				
	2.348E-01	4.116E-00	7.689E-03				
2	3.053E-01	5.600E-02	2	5.010	1.000	1.356E-01	
	7.974E-03	9.715E-03	1.074E-02	1.703E-01	1.883E-01		
	2.351E-01	4.123E-00	7.701E-03				

UNCLASSIFIED

AEDC(ARO, INC.) ARNOLD AFS, TENNESSEE  
VON KARMAN GAS DYNAMICS FACILITY  
GAS DYNAMIC WIND TUNNEL, SUPERSONIC (A)

PAGE NO. ONE

VP	PO	TO	CONF	MACH	X/D	RE/IN	TT
2	3.043E-01	5.600E-02	2	5.010	1.000	1.352E-01	
	PI	P81	PR2	PINF	QINF	P81/PINF	P82/PINF
	7.348E-03	9.715E-03	1.074E-02	1.709E-01	1.890E-01		
	PI	PI/PIN	PI/PQ				
	3.494E-02	6.146E-01	1.149E-03				
2	3.040E-01	5.600E-02	2	5.010	1.000	1.350E-01	
	7.505E-03	9.401E-03	1.059E-02	1.656E-01	1.864E-01		
	3.384E-02	5.959E-01	1.113E-03				

UNCLASSIFIED

UNCLASSIFIED

AEDC(ARO,INC.)ARNOLD AFS, TENNESSEE  
VON KARMAN GAS DYNAMICS FACILITY  
GAS DYNAMIC WIND TUNNEL SUPersonic (A)

PAGE NO.	ONE	GROUP	CONF	MACH	X/D	RE/IN	TT
2	3.055E-01	41	2	5.010	1.000	1.346E-01	
		IO					
		P1					
		P2					
		P1/PINF					
		P1/PO					
2	3.055E-01	5.630E-02	5.706E-02	1.003E-00	1.000E-00	1.346E-01	
6.879E-03	9.401E-03	8.095E-03	1.644E-01	1.427E-01	1.445E-01		
6.059E-02	1.062E-00	1.984E-03					
2	3.053E-01	5.630E-02	5.703E-02	1.002E-00	1.000E-00	1.345E-01	
7.036E-03	8.148E-03	8.406E-03	1.429E-01	1.474E-01			
6.122E-02	1.073E-00	2.005E-03					

AEDC(ARO,INC.)ARNOLD AFS, TENNESSEE  
VON KARMAN GAS DYNAMICS FACILITY  
GAS DYNAMIC WIND TUNNEL SUPersonic (A)

PAGE NO.	ONE	GROUP	CONF	MACH	X/D	RE/IN	TT
2	3.047E-01	42	2	5.010	.497	1.343E-01	
		IO					
		P1					
		P2					
		P1/PINF					
		P1/PO					
2	3.047E-01	5.630E-02	5.692E-02	1.000E-00	1.000E-00	1.343E-01	
7.192E-03	8.931E-03	8.562E-03	1.569E-01	1.504E-01			
2.408E-02	4.231E-01	7.903E-04					
2	3.047E-01	5.630E-02	5.692E-02	1.000E-00	1.000E-00	1.343E-01	
7.192E-03	8.931E-03	9.029E-03	1.569E-01	1.586E-01			
2.345E-02	4.120E-01	7.697E-04					

UNCLASSIFIED

AEDC(ARO, INC.) ARNOLD AFS, TENNESSEE  
VON KARMAN GAS DYNAMICS FACILITY  
GAS DYNAMIC WIND TUNNEL, SUPERSONIC (A)

PAGE NO.	ONE	CONF	MACH	X/D	TT
2	3.044E-01	5.630E-02	5.010	2.000	
	PI	PI/PINF		QINF	RE/IN
	7.974E-03	8.618E-03	9.184E-03	1.514E-01	1.615E-01
	PI	PI/PIN	PI/PO		
	4.548E-02	7.999E-01	1.494E-03		
2	3.036E-01	5.630E-02	5.671E-02	9.964E-01	1.338E-01
	6.879E-03	8.931E-03	9.340E-03	1.575E-01	1.647E-01
	4.580E-02	8.076E-01	1.509E-03		
2	3.052E-01	5.630E-02	5.702E-02	1.002E-00	1.345E-01
	7.348E-03	8.775E-03	9.340E-03	1.539E-01	1.638E-01
	4.596E-02	8.060E-01	1.506E-03		

VON KARMAN GAS DYNAMICS FACILITY  
GAS DYNAMIC WIND TUNNEL, SUPERSONIC (A)

PAGE NO.	ONE	CONF	MACH	X/D	TT
2	3.052E-01	5.630E-02	5.702E-02	1.002E-00	1.345E-01
	PI	PI/PINF	PI/PO		
	7.974E-03	8.618E-03	9.340E-03	1.511E-01	1.638E-01
	PI	PI/PINF	PI/PO		
	5.587E-02	9.799E-01	1.830E-03		
2	3.049E-01	5.630E-02	5.696E-02	1.001E-00	1.344E-01
	7.348E-03	8.931E-03	9.340E-03	1.569E-01	1.640E-01
	5.619E-02	9.864E-01	1.843E-03		
2	3.061E-01	5.630E-02	5.718E-02	1.005E-00	1.349E-01
	6.723E-03	8.931E-03	9.496E-03	1.562E-01	1.661E-01
	5.650E-02	9.881E-01	1.846E-03		

UNCLASSIFIED

AEDC(ARO, INC.) APNOLD AFS, TENNESSEE  
 VON KARMAN GAS DYNAMICS FACILITY  
 GAS DYNAMIC WIND TUNNEL, SUPERSONIC (A)

PAGE NO.	ONE	CONF	MACH	X/D	RE/IN
RUN	GROUP	CONF	MACH	X/D	RE/IN
3	45	2	5.010	5.000	TT
VP	PO	TO	PINF	QINF	RE/IN
2	3.037E-01	5.630E-02	9.967E-02	9.967E-01	1.338E-01
	PT	PB1	PR2	PB1/PINF	PB2/PINF
	7.505E-03	8.619E-03	9.340E-03	1.519E-01	1.646E-01
	PI	PI/PIN	PI/PO		
	5.886E-02	1.039E-00	1.938E-03		
2	3.037E-01	5.630E-02	9.967E-02	9.967E-01	1.338E-01
	7.192E-03	8.931E-03	9.340E-03	1.574E-01	1.646E-01
	5.886E-02	1.039E-00	1.938E-03		
2	3.029E-01	5.630E-02	9.944E-02	9.944E-01	1.335E-01
	7.036E-03	8.931E-03	9.340E-03	1.578E-01	1.650E-01
	5.918E-02	1.046E-00	1.953E-03		

VON KARMAN GAS DYNAMICS FACILITY  
 GAS DYNAMIC WIND TUNNEL, SUPERSONIC (A)

PAGE NO.	ONE	CONF	MACH	X/D	RE/IN
RUN	GROUP	CONF	MACH	X/D	RE/IN
3	46	2	5.010	7.000	TT
GVP	PO	TO	PINF	QINF	RE/IN
2	3.032E-01	5.630E-02	9.951E-02	9.951E-01	1.336E-01
	PT	PB1	PR2	PB1/PINF	PB2/PINF
	7.505E-03	9.245E-03	9.340E-03	1.632E-01	1.649E-01
	PI	PI/PINF	PI/PO		
	5.744E-02	1.014E-00	1.895E-03		
2	3.044E-01	5.630E-02	9.990E-02	9.990E-01	1.341E-01
	7.192E-03	8.775E-03	9.340E-03	1.543E-01	1.643E-01
	5.792E-02	1.019E-00	1.903E-03		
2	3.032E-01	5.630E-02	9.951E-02	9.951E-01	1.336E-01
	7.192E-03	8.775E-03	9.340E-03	1.549E-01	1.649E-01
	5.760E-02	1.017E-00	1.900E-03		

UNCLASSIFIED

AEDC(ARO,INC.)ARNOLD AFS, TENNESSEE  
 VON KARMAN GAS DYNAMICS FACILITY  
 GAS DYNAMIC WIND TUNNEL,SUPERSONIC (A)

PAGE NO.	ONE	CONF	MACH	X/D	TT
VP	PO	TO	PINF	QINF	RE/IN
2	3.040E-01	5.630E-02	5.680F-02	9.980E-01	1.340E-01
	PI	PB1	PR2	PB1/PINF	PB2/PINF
	7.661E-03	8.618E-03	9.340E-03	1.517E-01	1.644E-01
	PI	PI/PIN	PI/PO		
	5.681E-02	1.000E-00	1.869E-03		
2	3.039E-01	5.630E-02	5.677E-02	9.975E-01	1.339E-01
	7.036E-03	8.931E-03	9.340F-03	1.573E-01	1.645E-01
	5.760E-02	1.015E-00	1.895E-03		
2	3.038E-01	5.630E-02	5.676E-02	9.972E-01	1.339E-01
	7.036E-03	8.931E-03	9.340F-03	1.574E-01	1.646E-01
	5.760E-02	1.015E-00	1.896E-03		

AEDC(ARO,INC.)ARNOLD AFS, TENNESSEE  
 VON KARMAN GAS DYNAMICS FACILITY  
 GAS DYNAMIC WIND TUNNEL,SUPERSONIC (A)

PAGE NO.	ONE	CONF	MACH	X/D	TT
GVP	PO	TO	PINF	QINF	RE/IN
2	3.068E-01	5.630E-02	5.731F-02	1.007E-00	1.352E-01
	PI	PB1	PR2	PB1/PINF	PB2/PINF
	7.505E-03	8.618E-03	9.340E-03	1.504E-01	1.630E-01
	PI	PI/PINF	PI/PO		
	5.587E-02	9.748E-01	1.821E-03		
2	3.072E-01	5.630E-02	5.739E-02	1.008E-00	1.354E-01
	7.036E-03	8.931E-03	9.340E-03	1.556E-01	1.628E-01
	5.666E-02	9.873E-01	1.844E-03		
2	3.057E-01	5.630E-02	5.711E-02	1.003E-00	1.347E-01
	7.192E-03	8.775E-03	9.340E-03	1.537E-01	1.635E-01
	5.587E-02	9.783E-01	1.828E-03		

9 16 67

UNCLASSIFIED

AEDC(ARO,INC.)ARNOLD AFS, TENNESSEE  
VON KARMAN GAS DYNAMICS FACILITY  
GAS DYNAMIC WIND TUNNEL,SUPERSONIC (A)

PAGE NO.	ONE	CONF	MACH	X/D	TT
RUN	GROUP	CONF	MACH	X/D	TT
VP	PO	TO	PINF	OINF	RE/IN
2	1.350E-01	5.590E-02	9.011E-02	1.004E-00	9.913E-02
	PI	PB1	PA2	PB1/PINF	PB2/PINF
	1.032E-02	1.974E-02	1.743E-02	2.191E-01	1.935E-01
	PI	PI/PIN	PI/PO		
	8.908E-02	9.886E-01	6.598E-03		
2	1.351E-01	5.595E-02	9.016E-02	1.005E-00	9.906E-02
	1.063E-02	1.912E-02	1.790E-02	2.120E-01	1.986E-01
	8.971E-02	9.950E-01	6.641E-03		
2	1.354E-01	5.600E-02	9.037E-02	1.007E-00	9.915E-02
	1.157E-02	1.912E-02	1.806E-02	2.115E-01	1.998E-01
	8.971E-02	9.927E-01	6.626E-03		

9 16 67

AEDC(ARO,INC.)ARNOLD AFS, TENNESSEE  
VON KARMAN GAS DYNAMICS FACILITY  
GAS DYNAMIC WIND TUNNEL,SUPERSONIC (A)

PAGE NO.	ONE	CONF	MACH	X/D	TT
RUN	GROUP	CONF	MACH	X/D	TT
GVP	PO	TO	PINF	OINF	RE/IN
2	1.359E-01	5.610E-02	9.068E-02	1.011E-00	9.923E-02
	PI	PB1	PA2	PB1/PINF	PB2/PINF
	1.376E-02	2.006E-02	1.821E-02	2.212E-01	2.008E-01
	PI	PI/PINF	PI/PO		
	9.144E-02	1.008E-00	6.730E-03		
2	1.347E-01	5.610E-02	9.990E-02	1.002E-00	9.837E-02
	1.423E-02	2.068E-02	1.837E-02	2.301E-01	2.043E-01
	9.160E-02	1.019E-00	6.801E-03		
2	1.357E-01	5.610E-02	9.058E-02	1.009E-00	9.912E-02
	1.438E-02	1.990E-02	1.837E-02	2.197E-01	2.028E-01
	9.160E-02	1.011E-00	6.750E-03		

UNCLASSIFIED

AEDC(AHO, INC.) ARNOLD AFS, TENNESSEE  
VON KARMAN GAS DYNAMICS FACILITY  
GAS DYNAMIC WIND TUNNEL, SUPERSONIC (A)

PAGE NO.	ONE	GROUP	CONF	MACH	K/D	RE/IN	TT
VP	PO	SI	2	3.990	7.006		
2	1.350E-01	5.610E-02	9.011E-02	1.004E-00	9.860E-02		
	PI	PB1	P2	P1/PINF	P2/PINF		
	1.454E-02	2.115E-02	1.868E-02	2.348E-01	2.073E-01		
	PI	P1/PIN	P1/PO				
	9.411E-02	1.044E-00	6.971E-03				
2	1.347E-01	5.610E-02	8.990E-02	1.002E-00	9.837E-02		
	1.563E-02	2.021E-02	1.868E-02	2.248E-01	2.078E-01		
	9.380E-02	1.043E-00	6.964E-03				
2	1.347E-01	5.610E-02	8.990E-02	1.002E-00	9.837E-02		
	1.579E-02	2.115E-02	1.868E-02	2.353E-01	2.078E-01		
	9.411E-02	1.047E-00	6.988E-03				

UNCLASSIFIED

AEDC(AHO, INC.) ARNOLD AFS, TENNESSEE  
VON KARMAN GAS DYNAMICS FACILITY  
GAS DYNAMIC WIND TUNNEL, SUPERSONIC (A)

PAGE NO.	ONE	GROUP	CONF	MACH	K/D	RE/IN	TT
VP	PO	SI	2	3.990	5.000		
2	1.350E-01	5.610E-02	9.011E-02	1.004E-00	9.860E-02		
	PI	PB1	P2	P1/PINF	P2/PINF		
	1.626E-02	2.006E-02	1.868E-02	2.224E-01	2.073E-01		
	PI	P1/PINF	P1/PO				
	9.616E-02	1.067E-00	7.123E-03				
2	1.362E-01	5.610E-02	9.089E-02	1.013E-00	9.946E-02		
	1.657E-02	2.147E-02	1.868E-02	2.362E-01	2.055E-01		
	9.616E-02	1.059E-00	7.061E-03				
2	1.350E-01	5.610E-02	9.011E-02	1.004E-00	9.860E-02		
	1.642E-02	2.037E-02	1.852E-02	2.261E-01	2.056E-01		
	9.569E-02	1.062E-00	7.088E-03				

UNCLASSIFIED

UNCLASSIFIED

AEDC(ARO, INC.) ARNOLD AFS, TENNESSEE  
VON KARMAN GAS DYNAMICS FACILITY  
GAS DYNAMIC WIND TUNNEL, SUPERSONIC (A)

PAGE NO.	ONE	CONF	MACH	X/D	RE/IN
GROUP	CONF	MACH	X/D	RE/IN	TT
53	2	3.990	3.000		
VP	PO	TO	QINF	RE/IN	TT
2	1.361E-01	5.610E-02	9.084E-02	1.012E-00	9.940E-02
	PT	PB1	PR2	PB1/PINF	PB2/PINF
	1.704E-02	1.990E-02	1.868E-02	2.191E-01	2.056E-01
	PI	PI/PINF	PI/PO		
	1.108E-01	1.220E-00	8.141E-03		
2	1.350E-01	5.610E-02	9.011E-02	1.004E-00	9.860E-02
	1.657E-02	2.533E-02	1.868E-02	2.278E-01	2.073E-01
	1.108E-01	1.230E-00	8.207E-03		
2	1.364E-01	5.610E-02	9.105E-02	1.015E-00	9.963E-02
	1.657E-02	2.053E-02	1.868E-02	2.254E-01	2.052E-01
	1.108E-01	1.217E-00	8.122E-03		

UNCLASSIFIED

AEDC(ARO, INC.) ARNOLD AFS, TENNESSEE  
VON KARMAN GAS DYNAMICS FACILITY  
GAS DYNAMIC WIND TUNNEL, SUPERSONIC (A)

PAGE NO.	ONE	CONF	MACH	X/D	RE/IN
GROUP	CONF	MACH	X/D	RE/IN	TT
54	2	3.990	2.000		
GVP	PO	TO	QINF	RE/IN	TT
2	1.358E-01	5.610E-02	9.063E-02	1.017E-00	9.917E-02
	PT	PB1	PR2	PB1/PINF	PB2/PINF
	1.767E-02	1.990E-02	1.868E-02	2.196E-01	2.061E-01
	PI	PI/PINF	PI/PO		
	9.773E-02	1.078E-00	7.198E-03		
2	1.359E-01	5.610E-02	9.068E-02	1.011E-00	9.923E-02
	1.720E-02	2.048E-02	1.868E-02	2.281E-01	2.060E-01
	9.789E-02	1.079E-00	7.205E-03		
2	1.347E-01	5.610E-02	9.990E-02	1.002E-00	9.837E-02
	1.720E-02	2.021E-02	1.852E-02	2.248E-01	2.061E-01
	9.805E-02	1.091E-00	7.280E-03		

UNCLASSIFIED



AEDC(ARO, INC.) ARNOLD AFS, TENNESSEE  
 VON KARMAN GAS DYNAMICS FACILITY  
 GAS DYNAMIC WIND TUNNEL SUPERSONIC (A)

PAGE NO. ONE		CONF	MACH	X/D		
VP	PO	TO	PINF	QINF	RE/IN	TT
2	1.351E-01	5.610E-02	9.016E-02	1.005E-00	9.866E-02	
	PI	PB1	PR2	PH1/PINF	PB2/PINF	
	1.751E-02	2.006E-02	1.915E-02	2.225E-01	2.124E-01	
	PI	PI/PIN	PI/PO			
	2.361E-02	2.618E-01	1.748E-03			
2	1.350E-01	5.610E-02	9.011E-02	1.004E-00	9.860E-02	
	1.720E-02	2.053E-02	1.930E-02	2.278E-01	2.142E-01	
	2.282E-02	2.533E-01	1.690E-03			
2	1.352E-01	5.610E-02	9.021E-02	1.005E-00	9.872E-02	
	1.673E-02	2.147E-02	1.915E-02	2.380E-01	2.122E-01	
	2.266E-02	2.512E-01	1.677E-03			

PAGE NO. ONE		CONF	MACH	X/D		
GVP	PO	TO	PINF	QINF	RE/IN	TT
2	1.352E-01	5.610E-02	9.026E-02	1.006E-00	9.877E-02	
	PI	PB1	PR2	PH1/PINF	PB2/PINF	
	1.751E-02	2.194E-02	1.915E-02	2.430E-01	2.121E-01	
	PI	PI/PINF	PI/PO			
	5.319E-02	5.893E-01	3.933E-03			
2	1.354E-01	5.610E-02	9.037E-02	1.007E-00	9.889E-02	
	1.689E-02	2.115E-02	1.915E-02	2.341E-01	2.119E-01	
	5.335E-02	5.904E-01	3.941E-03			
2	1.354E-01	5.610E-02	9.037E-02	1.007E-00	9.889E-02	
	1.720E-02	2.068E-02	1.915E-02	2.289E-01	2.119E-01	
	5.382E-02	5.956E-01	3.975E-03			
2	1.354E-01	5.610E-02	9.037E-02	1.007E-00	9.889E-02	
	1.720E-02	2.068E-02	1.930E-02	2.289E-01	2.136E-01	
	5.414E-02	5.991E-01	3.999E-03			
2	1.354E-01	5.610E-02	9.037E-02	1.007E-00	9.889E-02	
	1.720E-02	2.068E-02	1.930E-02	2.289E-01	2.136E-01	
	5.430E-02	6.008E-01	4.010E-03			
2	1.355E-01	5.610E-02	9.042E-02	1.008E-00	9.895E-02	
	1.720E-02	2.068E-02	1.930E-02	2.287E-01	2.135E-01	
	5.477E-02	6.057E-01	4.043E-03			
2	1.356E-01	5.610E-02	9.047E-02	1.008E-00	9.900E-02	
	1.720E-02	2.068E-02	1.930E-02	2.286E-01	2.133E-01	
	5.477E-02	6.054E-01	4.040E-03			

9 16 67

UNCLASSIFIED

AEDC(ARO,INC.)ARNOLD AFS, TENNESSEE  
 VON KARMAN GAS DYNAMICS FACILITY  
 GAS DYNAMIC WIND TUNNEL, SUPERSONIC (A)

PAGE NO.	ONE	GROUP	CONF	MACH	X/D	TT
2	5.628E-00	5.600E-02	1.579F-01	2.980	11.012	
	PT	PB1	PA2		QINF	RE/IN
					PB1/PINF	PB2/PINF
	5.238E-02	5.327E-02	4.966E-02	3.374E-01	3.145E-01	
	PI	PI/PINF	PI/PO			
	1.895E-01	1.200E-00	3.367F-02			
2	5.901E-00	5.600E-02	1.655E-01	1.029E-00	7.331E-02	
	5.285E-02	5.186E-02	4.966E-02	3.133E-01	3.000E-01	
	1.889E-01	1.141E-00	3.201E-02			
2	5.001E-00	5.600E-02	1.655F-01	1.029E-00	7.331E-02	
	5.300E-02	5.218E-02	4.966F-02	3.152E-01	3.000E-01	
	1.885E-01	1.139E-00	3.195E-02			

9 16 67

AEDC(ARO,INC.)ARNOLD AFS, TENNESSEE  
 VON KARMAN GAS DYNAMICS FACILITY  
 GAS DYNAMIC WIND TUNNEL, SUPERSONIC (A)

PAGE NO.	ONE	GROUP	CONF	MACH	X/D	TT
2	5.858E-00	5.600E-02	1.643F-01	2.980	9.000	
	VP	TO	PINF		QINF	RE/IN
					PB1/PINF	PB2/PINF
	5.269E-02	5.139E-02	4.950E-02	3.127E-01	3.012E-01	
	PI	PI/PINF	PI/PO			
	1.909E-01	1.162E-00	3.259F-02			
2	5.852E-00	5.590E-02	1.842E-01	1.020E-00	7.290E-02	
	5.285E-02	5.139E-02	4.950E-02	3.131E-01	3.015E-01	
	1.901E-01	1.158E-00	3.249F-02			
2	5.836E-00	5.590E-02	1.637E-01	1.019E-00	7.270E-02	
	5.300E-02	5.154E-02	4.935E-02	3.149E-01	3.014E-01	
	1.900E-01	1.160E-00	3.255E-02			

UNCLASSIFIED

AEDC(ARO, INC.) ARNOLD AFS, TENNESSEE  
VON KARMAN GAS DYNAMICS FACILITY  
GAS DYNAMIC WIND TUNNEL, SUPERSONIC (A)

PAGE NO.	ONE	GROUP	CONF	MACH	X/D	TT
2	5.811E 00	59	2	2.980	7.006	
	PT	TO	PINF	QINF	RE/IN	
	5.238E-02	5.585E-02	1.630E-01	1.013E 00	7.249E-02	
	5.238E-02	PB1	PR2	PB1/PINF	PB2/PINF	
	5.238E-02	5.092E-02	4.950E-02	3.124E-01	3.037E-01	
	P1	P1/PINF	P1/PO			
	1.703E-01	1.045E 00	2.931E-02			
2	5.814E 00	5.585E 02	1.631E-01	1.014E 00	7.253E-02	
	5.238E-02	5.092E-02	4.935E-02	3.122E-01	3.026E-01	
	1.711E-01	1.049E 00	2.942E-02			
2	5.817E 00	5.585E 02	1.632E-01	1.014E 00	7.254E-02	
	5.253E-02	5.139E-02	4.935E-02	3.149E-01	3.024E-01	
	1.708E-01	1.044E 00	2.935E-02			

AEDC(ARO, INC.) ARNOLD AFS, TENNESSEE  
VON KARMAN GAS DYNAMICS FACILITY  
GAS DYNAMIC WIND TUNNEL, SUPERSONIC (A)

PAGE NO.	ONE	GROUP	CONF	MACH	X/D	TT
2	5.847E 00	60	2	2.980	5.006	
	PT	TO	PINF	QINF	RE/IN	
	5.222E-02	5.585E 02	1.640E-01	1.020E 00	7.294E-02	
	5.222E-02	PB1	PR2	PB1/PINF	PB2/PINF	
	5.222E-02	5.139E-02	4.935E-02	3.133E-01	3.008E-01	
	P1	P1/PIN.	P1/PO			
	1.774E-01	1.081E 00	3.033E-02			
2	5.844E 00	5.585E 02	1.639E-01	1.019E 00	7.290E-02	
	5.238E-02	5.233E-02	4.950E-02	3.192E-01	3.019E-01	
	1.766E-01	1.077E 00	3.022E-02			
2	5.847E 00	5.585E 02	1.640E-01	1.020E 00	7.294E-02	
	5.238E-02	5.139E-02	4.935E-02	3.133E-01	3.008E-01	
	1.774E-01	1.081E 00	3.033E-02			

UNCLASSIFIED

AEDC(ARO,INC.)ARNOLD AFS, TENNESSEE  
VON KARMAN GAS DYNAMICS FACILITY  
GAS DYNAMIC WIND TUNNEL,SUPERSONIC (A)

PAGE NO.	ONE	CONF	MACH	X/D	TT
2	5.874E-00	1.648E-01	2.980	3.000	
	PI	P1/PINF	PINF	GINF	RE/IN
	5.222E-02	4.950E-02	2.980	3.000	7.337E-02
	PI	P1/PINF	PINF	GINF	P82/PINF
	1.994E-01	1.210E 00	2.980	3.000	3.004E-01
	PI	P1/PO	PINF	GINF	
	5.872E 00	5.580E 02	2.980	3.000	7.335E-02
	5.253E-02	5.359E-02	2.980	3.000	2.995E-01
	1.988E-01	1.207E 00	2.980	3.000	3.385E-02
	PI	P1/PINF	PINF	GINF	
	5.875E 00	5.580E 02	2.980	3.000	7.339E-02
	5.269E-02	5.171E-02	2.980	3.000	3.003E-01
	1.992E-01	1.209E 00	2.980	3.000	3.391E-02
	PI	P1/PO	PINF	GINF	

UNCLASSIFIED

AEDC(ARO,INC.)ARNOLD AFS, TENNESSEE  
VON KARMAN GAS DYNAMICS FACILITY  
GAS DYNAMIC WIND TUNNEL,SUPERSONIC (A)

PAGE NO.	ONE	CONF	MACH	X/D	TT
2	5.844E-00	1.639E-01	2.980	2.006	
	PI	P1/PINF	PINF	GINF	RE/IN
	5.238E-02	5.155E-02	2.980	2.006	7.261E-02
	PI	P1/PINF	PINF	GINF	P82/PINF
	2.046E-01	1.249E 00	2.980	2.006	3.029E-01
	PI	P1/PO	PINF	GINF	
	5.757E 00	5.600E 02	2.980	2.006	7.153E-02
	5.253E-02	5.124E-02	2.980	2.006	3.055E-01
	2.029E-01	1.256E 00	2.980	2.006	3.524E-02
	PI	P1/PINF	PINF	GINF	
	5.752E 00	5.600E 02	2.980	2.006	7.147E-02
	5.253E-02	5.280E-02	2.980	2.006	3.039E-01
	2.024E-01	1.254E 00	2.980	2.006	3.518E-02
	PI	P1/PO	PINF	GINF	

UNCLASSIFIED

AEDC(ARO, INC.) ARNOLD AFS, TENNESSEE  
 VON KARMAN GAS DYNAMICS FACILITY  
 GAS DYNAMIC WIND TUNNEL, SUPERSONIC (A)

PAGE NO.	ONE	GROUP	CONF	MACH	X/D	TT
4	63	2	2.980	1.000		
GVP	PO	TO	PINF	QINF	RE/IN	
2	5.858E-00	5.600E-02	1.643E-01	1.022E-00	7.278E-02	
	PT	PB1	PR2	P1/PINF	PB2/PINF	
	5.191E-02	5.186E-02	4.903E-02	3.158E-01	2.984E-01	
	P1	P1/PINF	P1/PO			
	9.978E-02	6.072E-01	1.703E-02			
2	5.858E-00	5.600E-02	1.643E-01	1.022E-00	7.278E-02	
	5.206E-02	5.108E-02	4.919E-02	3.108E-01	2.993E-01	
	9.978E-02	6.072E-01	1.703E-02			
2	5.866E-00	5.600E-02	1.646E-01	1.023E-00	7.288E-02	
	5.222E-02	5.139E-02	4.857E-02	3.123E-01	2.951E-01	
	9.978E-02	6.063E-01	1.701E-02			

AEDC(ARO, INC.) ARNOLD AFS, TENNESSEE  
 VON KARMAN GAS DYNAMICS FACILITY  
 GAS DYNAMIC WIND TUNNEL, SUPERSONIC (A)

PAGE NO.	ONE	GROUP	CONF	MACH	X/D	TT
4	64	2	2.980	.503		
VP	PO	TO	PINF	QINF	RE/IN	
2	5.833E-00	5.600E-02	1.636E-01	1.017E-00	7.247E-02	
	PT	PB1	PR2	P1/PINF	PB2/PINF	
	5.159E-02	5.139E-02	4.826E-02	3.141E-01	2.949E-01	
	P1	P1/PINF	P1/PO			
	4.501E-02	2.751E-01	7.717E-03			
2	5.845E-00	5.600E-02	1.640E-01	1.019E-00	7.263E-02	
	5.175E-02	5.139E-02	4.795E-02	3.134E-01	2.924E-01	
	4.485E-02	2.735E-01	7.673E-03			
2	5.845E-00	5.600E-02	1.640E-01	1.019E-00	7.263E-02	
	5.159E-02	5.139E-02	4.779E-02	3.134E-01	2.914E-01	
	4.501E-02	2.745E-01	7.700E-03			

Contrails

UNCLASSIFIED

AEDC(ARO,INC.)ARNOLD AFS, TENNESSEE  
VON KARMAN GAS DYNAMICS FACILITY  
GAS DYNAMIC WIND TUNNEL,SUPERSONIC (A)

PAGE NO.	ONE	CONF	MACH	X/D	TT
GROUP	TO	PINF	QINF	RE/IN	
2	2.907E-00	3.715E-01	1.040E-00	5.892E-02	
	PI	P82	P81/PINF	P82/PINF	
	2.183E-01	1.940E-01	5.221E-01	5.170E-01	
	PI	PI/PINF	PI/PO		
	3.966E-01	1.068E 00	1.364E-01		
2	2.910E 00	3.719E-01	1.041E 00	5.898E-02	
	2.179E-01	1.932E-01	5.195E-01	5.169E-01	
	3.975E-01	1.069E 00	1.366E-01		
2	2.910E 00	3.719E-01	1.041E 00	5.898E-02	
	2.181E-01	1.940E-01	5.216E-01	5.161E-01	
	3.979E-01	1.070E 00	1.367E-01		

AEDC(ARO,INC.)ARNOLD AFS, TENNESSEE  
VON KARMAN GAS DYNAMICS FACILITY  
GAS DYNAMIC WIND TUNNEL,SUPERSONIC (A)

PAGE NO.	ONE	CONF	MACH	X/D	TT
GROUP	TO	PINF	QINF	RE/IN	
2	2.916E 00	3.727E-01	1.044E 00	5.911E-02	
	PI	P82	P81/PINF	P82/PINF	
	2.201E-01	1.959E-01	5.255E-01	5.208E-01	
	PI	PI/PIN	PI/PO		
	4.076E-01	1.094E 00	1.398E-01		
2	2.886E 00	3.689E-01	1.033E 00	5.850E-02	
	2.201E-01	1.934E-01	5.241E-01	5.232E-01	
	4.045E-01	1.096E 00	1.401E-01		
2	2.894E 00	3.699E-01	1.036E 00	5.866E-02	
	2.194E-01	1.919E-01	5.189E-01	5.164E-01	
	4.031E-01	1.090E 00	1.393E-01		

UNCLASSIFIED

AEDC(ARD,INC.)ARNOLD AFS, TENNESSEE  
VON KARMAN GAS DYNAMICS FACILITY  
GAS DYNAMIC WIND TUNNEL,SUPERSONIC (A)

PAGE NO.	ONE	CONF	MACH	X/D	TT
RUN	GROUP	CONF	MACH	X/D	TT
2	2.902E-00	3.709E-01	1.039E-01	5.882E-02	
	PT	PR2	PB1/PINF	PB2/PINF	
	TO	PINF	QINF	RE/IN	
	PI	PI/PINF	PI/PO		
	PO	1.971E-01	1.274E-01		
2	2.902E-00	3.709E-01	1.039E-01	5.882E-02	
	PT	PR2	PB1/PINF	PB2/PINF	
	TO	PINF	QINF	RE/IN	
	PI	PI/PINF	PI/PO		
	PO	1.971E-01	1.274E-01		
2	2.904E-00	3.711E-01	1.039E-01	5.886E-02	
	PT	PR2	PB1/PINF	PB2/PINF	
	TO	PINF	QINF	RE/IN	
	PI	PI/PINF	PI/PO		
	PO	1.974E-01	1.275E-01		

AEDC(ARD,INC.)ARNOLD AFS, TENNESSEE  
VON KARMAN GAS DYNAMICS FACILITY  
GAS DYNAMIC WIND TUNNEL,SUPERSONIC (A)

PAGE NO.	ONE	CONF	MACH	X/D	TT
RUN	GROUP	CONF	MACH	X/D	TT
2	2.910E-00	3.719E-01	1.041E-01	5.898E-02	
	PT	PR2	PB1/PINF	PB2/PINF	
	TO	PINF	QINF	RE/IN	
	PI	PI/PINF	PI/PO		
	PO	1.941E-01	1.461E-01		
2	2.905E-00	3.713E-01	1.040E-01	5.889E-02	
	PT	PR2	PB1/PINF	PB2/PINF	
	TO	PINF	QINF	RE/IN	
	PI	PI/PINF	PI/PO		
	PO	1.143E-01	1.461E-01		
2	2.909E-00	3.717E-01	1.041E-01	5.895E-02	
	PT	PR2	PB1/PINF	PB2/PINF	
	TO	PINF	QINF	RE/IN	
	PI	PI/PINF	PI/PO		
	PO	1.143E-01	1.461E-01		

UNCLASSIFIED

AEDC (ARO, INC.) ARNOLD AFS, TENNESSEE  
VON KARMAN GAS DYNAMICS FACILITY  
GAS DYNAMIC WIND TUNNEL, SUPERSONIC (A)

PAGE NO.	ONE	GROUP	CONF	MACH	X/D	TT
4	69	2	2.000	3.000		
2	2.909E-00	5.610E 02	3.717E-01	1.041E 00	5.895E-02	RE/IN
	PT	P81	PR2	P81/PINF	PH2/PINF	
2	2.187E-01	1.921E-01	1.913E-01	5.169E-01	5.147E-01	
	P1	P1/PINF	P1/PO			
4	4.740E-01	1.275E 00	1.630E-01			
2	2.905E 00	5.610E 02	3.713E-01	1.040E 00	5.889E-02	
	2.179E-01	1.935E-01	1.913E-01	5.212E-01	5.152E-01	
	4.743E-01	1.277E 00	1.633E-01			
2	2.909E 00	5.610E 02	3.717E-01	1.041E 00	5.895E-02	
	2.184E-01	1.923E-01	1.912E-01	5.172E-01	5.143E-01	
	4.742E-01	1.276E 00	1.630E-01			

AEDC (ARO, INC.) ARNOLD AFS, TENNESSEE  
VON KARMAN GAS DYNAMICS FACILITY  
GAS DYNAMIC WIND TUNNEL, SUPERSONIC (A)

PAGE NO.	ONE	GROUP	CONF	MACH	X/D	TT
4	7	2	2.000	1.994		
2	2.901E 00	5.610E 02	3.707E-01	1.035E 00	5.879E-02	RE/IN
	PT	P81	PR2	P81/PINF	PH2/PINF	
2	2.184E-01	1.919E-01	1.910E-01	5.174E-01	5.152E-01	
	P1	P1/PIN	P1/PO			
4	4.762E-01	1.285E 00	1.642E-01			
2	2.909E 00	5.610E 02	3.717E-01	1.041E 00	5.895E-02	
	2.178E-01	1.924E-01	1.910E-01	5.176E-01	5.139E-01	
	4.761E-01	1.281E 00	1.637E-01			
2	2.902E 00	5.610E 02	3.709E-01	1.039E 00	5.882E-02	
	2.178E-01	1.924E-01	1.910E-01	5.188E-01	5.149E-01	
	4.762E-01	1.284E 00	1.641E-01			



UNCLASSIFIED

AEDC(ARO, INC.) ARNOLD AFS, TENNESSEE  
 VON KARMAN GAS DYNAMICS FACILITY  
 GAS DYNAMIC WIND TUNNEL, SUPERSONIC (A)

PAGE NO.	ONE	GROUP	CONF	MACH	X/D	TT
4	71	2	2.000	1.000		
GVP	PO	TO	PINF	QINF	RE/IN	TT
2	2.899E-00	5.610E-02	3.705E-01	1.037E-00	5.876E-02	
	PI	PB1	PR2	PH1/PINF	PB2/PINF	
	2.247E-01	1.984E-01	1.957E-01	5.354E-01	5.281E-01	
	PI	PI/PINF	PI/PO			
	2.534E-01	6.839E-01	8.740E-02			
2	2.901E-00	5.610E-02	3.707E-01	1.038E-00	5.879E-02	
	2.251E-01	1.971E-01	1.969E-01	5.317E-01	5.312E-01	
	2.529E-01	6.822E-01	8.719E-02			
2	2.899E-00	5.610E-02	3.705E-01	1.037E-00	5.876E-02	
	2.255E-01	1.971E-01	1.963E-01	5.320E-01	5.298E-01	
	2.526E-01	6.818E-01	8.713E-02			

AEDC(ARO, INC.) ARNOLD AFS, TENNESSEE  
 VON KARMAN GAS DYNAMICS FACILITY  
 GAS DYNAMIC WIND TUNNEL, SUPERSONIC (A)

PAGE NO.	ONE	GROUP	CONF	MACH	X/D	TT
4	72	2	2.000	.503		
GVP	PO	TO	PINF	QINF	RE/IN	TT
2	2.902E-00	5.610E-02	3.709E-01	1.039E-00	5.882E-02	
	PI	PB1	PR2	PH1/PINF	PB2/PINF	
	2.347E-01	2.092E-01	2.087E-01	5.640E-01	5.628E-01	
	PI	PI/PINF	PI/PO			
	1.841E-01	4.964E-01	6.345E-02			
2	2.899E-00	5.610E-02	3.705E-01	1.037E-00	5.876E-02	
	2.351E-01	2.081E-01	2.084E-01	5.616E-01	5.626E-01	
	1.838E-01	4.961E-01	6.341E-02			
2	2.901E-00	5.610E-02	3.707E-01	1.038E-00	5.879E-02	
	2.353E-01	2.078E-01	2.086E-01	5.605E-01	5.623E-01	
	1.841E-01	4.967E-01	6.348E-02			

UNCLASSIFIED

AEDC(ARO, INC.) ARNOLD AFS, TENNESSEE  
VON KARMAN GAS DYNAMICS FACILITY  
GAS DYNAMIC WIND TUNNEL, SUPERSONIC (A)

PAGE NO.	ONE	CONF	MACH	X/D	RE/IN	TT
2	2.890E-01	5.500E-02	2.000	11.000	5.871E-02	5.460E-02
	PI	P1/PINF	CONF	QINF	P82/PINF	TT
	2.181E-01	1.904E-01	2	1.034E-00	5.155E-01	5.193E-01
	PI	P1/PINF	CONF	QINF	P82/PINF	TT
	2.897E-00	5.600E-02	2	1.037E-00	5.887E-02	5.460E-02
	2.181E-01	1.921E-01	2	5.188E-01	5.171E-01	
	PI	P1/PINF	CONF	QINF	P82/PINF	TT
	2.901E-00	5.600E-02	2	1.038E-00	5.894E-02	5.460E-02
	2.181E-01	1.907E-01	2	5.144E-01	5.165E-01	
	PI	P1/PINF	CONF	QINF	P82/PINF	TT

AEDC(ARO, INC.) ARNOLD AFS, TENNESSEE  
VON KARMAN GAS DYNAMICS FACILITY  
GAS DYNAMIC WIND TUNNEL, SUPERSONIC (A)

PAGE NO.	ONE	CONF	MACH	X/D	RE/IN	TT
2	2.937E-00	5.600E-02	2.000	9.000	5.968E-02	5.460E-02
	PI	P1/PINF	CONF	QINF	P82/PINF	TT
	2.186E-01	1.934E-01	2	5.151E-01	5.109E-01	
	PI	P1/PINF	CONF	QINF	P82/PINF	TT
	2.935E-00	5.600E-02	2	1.050E-00	5.964E-02	5.460E-02
	2.189E-01	1.930E-01	2	5.146E-01	5.120E-01	
	PI	P1/PINF	CONF	QINF	P82/PINF	TT
	2.935E-00	5.600E-02	2	1.050E-00	5.964E-02	5.460E-02
	2.190E-01	1.937E-01	2	5.162E-01	5.133E-01	
	PI	P1/PINF	CONF	QINF	P82/PINF	TT



UNCLASSIFIED

AEDCIARO, INC. JARNOLD AFS, TENNESSEE  
VON KARMAN GAS DYNAMICS FACILITY  
GAS DYNAMIC WIND TUNNEL, SUPERSONIC (A)

PAGE NO.	ONE	GROUP	CONF	MACH	X/D	RE/IN	TT
2	2.872E-00	5.600E-02	3.671E-01	1.024E-00	5.836E-02	5.450E-02	
	PI	PH1	PAR2	PH1/PINF	PH2/PINF		
2	2.167E-01	1.907E-01	1.902E-01	5.195E-01	5.182E-01		
	PI	PI/PINF	PI/PO				
2	2.877E-00	5.600E-02	3.677E-01	1.030E-00	5.846E-02	5.450E-02	
2	2.167E-01	1.905E-01	1.905E-01	5.192E-01	5.182E-01		
2	2.886E-00	5.605E-02	3.689E-01	1.033E-00	5.858E-02	5.450E-02	
2	2.169E-01	1.907E-01	1.907E-01	5.169E-01	5.169E-01		

AEDCIARO, INC. JARNOLD AFS, TENNESSEE  
VON KARMAN GAS DYNAMICS FACILITY  
GAS DYNAMIC WIND TUNNEL, SUPERSONIC (A)

PAGE NO.	ONE	GROUP	CONF	MACH	X/D	RE/IN	TT
2	2.891E-00	5.605E-02	3.695E-01	1.035E-00	5.867E-02	5.490E-02	
	PI	PH1	PAR2	PH1/PINF	PH2/PINF		
2	2.167E-01	1.927E-01	1.907E-01	5.216E-01	5.161E-01		
	PI	PI/PINF	PI/PO				
2	2.893E-00	5.610E-02	3.697E-01	1.035E-00	5.863E-02	5.490E-02	
2	2.176E-01	1.918E-01	1.907E-01	5.188E-01	5.158E-01		
2	2.886E-00	5.610E-02	3.689E-01	1.033E-00	5.850E-02	5.490E-02	
2	2.172E-01	1.918E-01	1.907E-01	5.199E-01	5.169E-01		

UNCLASSIFIED

AEDC(ARO,INC.)ARNOLD AFS, TENNESSEE  
VON KARMAN GAS DYNAMICS FACILITY  
GAS DYNAMIC WIND TUNNEL,SUPERSONIC (A)

PAGE NO.	CONF	GROUP	MACH	X/D	RE/IN	TT
2	2	79	2.000	1.000		
		TO		Q/P		
2	3.707E-01	5.610E 02	1.039E 00	5.879E-02	5.410E 02	
	PR2	PB1	P1/PINF	PB2/PINF		
2	1.944E-01	1.968E-01	5.309E-01	5.245E-01		
	P1	P1/PINF	P1/PO			
		0	0			
2	3.709E-01	5.610E 02	1.039E 00	5.882E-02	5.410E 02	
2	1.949E-01	1.955E-01	5.272E-01	5.254E-01		
	0	0				
2	3.705E-01	5.610E 02	1.037E 00	5.876E-02	5.410E 02	
2	1.958E-01	1.957E-01	5.282E-01	5.285E-01		
	0	0				

7 10 01

AEDC(ARO,INC.)ARNOLD AFS, TENNESSEE  
VON KARMAN GAS DYNAMICS FACILITY  
GAS DYNAMIC WIND TUNNEL,SUPERSONIC (A)

PAGE NO.	CONF	GROUP	MACH	X/D	RE/IN	TT
2	2	80	2.000	.503		
		TO		Q/P		
2	3.703E-01	5.610E 02	1.037E 00	5.873E-02	5.280E 02	
	PR2	PB1	PB1/PINF	PB2/PINF		
2	2.077E-01	2.081E-01	5.619E-01	5.608E-01		
	P1	P1/PINF	P1/PO			
		0	0			
2	3.705E-01	5.610E 02	1.037E 00	5.876E-02	5.270E 02	
2	2.073E-01	2.076E-01	5.603E-01	5.596E-01		
	0	0				
2	3.705E-01	5.610E 02	1.037E 00	5.876E-02	5.270E 02	
2	2.073E-01	2.070E-01	5.587E-01	5.596E-01		
	0	0				

9 16 67

UNCLASSIFIED

AEDC (ARO, INC.) ARNOLD AFS, TENNESSEE  
VON KARMAN GAS DYNAMICS FACILITY  
GAS DYNAMIC WIND TUNNEL, SUPERSONIC (A)

PAGE NO.	ONE	CONF	MACH	X/D	RE/IN	TT
RUN	GROUP	CONF	MACH	X/D	RE/IN	TT
VP	PO	TO	PINF	QINF	PH2/PINF	PH2/PINF
2	2.897E-00	5.610E-02	3.703E-01	1.037E-00	5.873E-02	5.400E-02
	PI	PB1	PR2	PH1/PINF	PH2/PINF	PH2/PINF
	2.265E-01	1.957E-01	1.972E-01	5.285E-01	5.326E-01	
	PI	PI/PIN	PI/PO			
		0	0			
2	2.901E-00	5.610E-02	3.707E-01	1.038E-00	5.879E-02	5.410E-02
	2.248E-01	1.955E-01	1.965E-01	5.275E-01	5.299E-01	
		0	0			
2	2.899E-00	5.610E-02	3.705E-01	1.037E-00	5.876E-02	5.410E-02
	2.239E-01	1.954E-01	1.958E-01	5.274E-01	5.285E-01	
		0	0			

7 10 67

AEDC (ARO, INC.) ARNOLD AFS, TENNESSEE  
VON KARMAN GAS DYNAMICS FACILITY  
GAS DYNAMIC WIND TUNNEL, SUPERSONIC (A)

PAGE NO.	ONE	CONF	MACH	X/D	RE/IN	TT
RUN	GROUP	CONF	MACH	X/D	RE/IN	TT
GVP	PO	TO	PINF	QINF	PH2/PINF	PH2/PINF
2	2.896E-00	5.610E-02	3.701E-01	1.036E-00	5.870E-02	5.490E-02
	PI	PB1	PR2	PH1/PINF	PH2/PINF	PH2/PINF
	2.187E-01	1.919E-01	1.922E-01	5.186E-01	5.194E-01	
	PI	PI/PINF	PI/PO			
		0	0			
2	2.899E-00	5.615E-02	3.705E-01	1.037E-00	5.869E-02	5.490E-02
	2.181E-01	1.918E-01	1.921E-01	5.176E-01	5.185E-01	
		0	0			
2	2.901E-00	5.615E-02	3.707E-01	1.038E-00	5.872E-02	5.490E-02
	2.186E-01	1.941E-01	1.916E-01	5.237E-01	5.169E-01	
		0	0			

UNCLASSIFIED

AEDC(ARO, INC.) ARNOLD AFS, TENNESSEE  
VON KARMAN GAS DYNAMICS FACILITY  
GAS DYNAMIC WIND TUNNEL, SUPERSONIC (A)

PAGE NO.	ONE	GROUP	CONF	MACH	X/D	RE/IN	TT
2	2.897E 00	5.615E 02	3.703E-01	1.037E 00	5.866E-02	5.460E 02	
	PT	PB1	PR2	P1/PINF	PB2/PINF		
2	2.178E-01	1.914E-01	1.913E-01	5.179E-01	5.166E-01		
	PI	P1/PINF	P1/PO				
2	2.899E 00	5.615E 02	3.705E-01	1.037E 00	5.869E-02	5.460E 02	
2	2.181E-01	1.919E-01	1.910E-01	5.181E-01	5.155E-01		
2	2.897E 00	5.615E 02	3.703E-01	1.037E 00	5.866E-02	5.460E 02	
2	2.178E-01	1.923E-01	1.907E-01	5.192E-01	5.149E-01		

AEDC(ARO, INC.) ARNOLD AFS, TENNESSEE  
VON KARMAN GAS DYNAMICS FACILITY  
GAS DYNAMIC WIND TUNNEL, SUPERSONIC (A)

PAGE NO.	ONE	GROUP	CONF	MACH	X/D	RE/IN	TT
2	2.896E 00	5.620E 02	3.701E-01	1.036E 00	5.855E-02	5.450E 02	
2	2.176E-01	1.930E-01	1.908E-01	5.216E-01	5.157E-01		
2	2.896E 00	5.620E 02	3.701E-01	1.036E 00	5.855E-02	5.450E 02	
2	2.176E-01	1.926E-01	1.913E-01	5.203E-01	5.169E-01		

9 16 67

UNCLASSIFIED

AEDC(ARO,INC.)ARNOLD AFS, TENNESSEE  
VON KARMAN GAS DYNAMICS FACILITY  
GAS DYNAMIC WIND TUNNEL,SUPERSONIC (A)

PAGE NO.	ONE	CONF	MACH	X/D	TT
RUN	GROUP	CONF	MACH	X/D	TT
VP	PO	TO	PINF	QINF	RE/IN
2	2.893E 00	5.620E 02	3.697E-01	1.035E 00	5.849E-02
	PI	PB1	PR2	PH1/PINF	PB2/PINF
	2.176E-01	1.915E-01	1.910E-01	5.175E-01	5.166E-01
	PI	PI/PINF	PI/PO		
	0	0	0		
2	2.901E 00	5.620E 02	3.707E-01	1.034E 00	5.865E-02
	2.178E-01	1.927E-01	1.908E-01	5.199E-01	5.149E-01
	0	0	0		
2	2.899E 00	5.620E 02	3.705E-01	1.037E 00	5.861E-02
	2.176E-01	1.916E-01	1.910E-01	5.172E-01	5.155E-01
	0	0	0		

9 16 67

UNCLASSIFIED

AEDC(ARO,INC.)ARNOLD AFS, TENNESSEE  
VON KARMAN GAS DYNAMICS FACILITY  
GAS DYNAMIC WIND TUNNEL,SUPERSONIC (A)

PAGE NO.	ONE	CONF	MACH	X/D	TT
RUN	GROUP	CONF	MACH	X/D	TT
GVP	PO	TO	PINF	QINF	RE/IN
2	2.896E 00	5.620E 02	3.701E-01	1.036E 00	5.855E-02
	PI	PB1	PR2	PH1/PINF	PB2/PINF
	2.173E-01	1.913E-01	1.909E-01	5.169E-01	5.157E-01
	PI	PI/PINF	PI/PO		
	0	0	0		
2	2.896E 00	5.620E 02	3.701E-01	1.036E 00	5.855E-02
	2.172E-01	1.921E-01	1.910E-01	5.190E-01	5.161E-01
	0	0	0		
2	2.890E 00	5.620E 02	3.693E-01	1.034E 00	5.842E-02
	2.173E-01	1.921E-01	1.905E-01	5.202E-01	5.159E-01
	0	0	0		



UNCLASSIFIED

AEDC(ARO, INC.) ARNOLD AFS, TENNESSEE  
VON KARMAN GAS DYNAMICS FACILITY  
GAS DYNAMIC WIND TUNNEL SUPERSONIC (A)

PAGE NO.	ONE	CONF	MACH	X/D	RE/IN	TT
2	2.893E 00	3.697E-01	2.000	11.000	5.849E-02	5.490E 02
	VP	PI	TO	QINF	RE/IN	TT
	5	87	2	11.000		
	2.169E-01	1.907E-01	1.908E-01	5.158E-01	5.162E-01	
	PI	PI/PIN-	PI/PO			
	0	0	0			
2	2.896E 00	3.701E-01	1.034E 00	5.855E-02	5.490E 02	
	2.172E-01	1.905E-01	5.212E-01	5.148E-01		
	0	0	0			
2	2.896E 00	3.701E-01	1.036E 00	5.855E-02	5.490E 02	
	2.172E-01	1.904E-01	5.182E-01	5.157E-01		
	0	0	0			

AEDC(ARO, INC.) ARNOLD AFS, TENNESSEE  
VON KARMAN GAS DYNAMICS FACILITY  
GAS DYNAMIC WIND TUNNEL SUPERSONIC (A)

PAGE NO.	ONE	CONF	MACH	X/D	RE/IN	TT
2	5.844E 00	1.639E-01	2.990	11.000	7.203E-02	5.380E 02
	GVP	PI	TO	QINF	RE/IN	TT
	5	88	2	11.000		
	5.222E-02	4.998E-02	4.826E-02	3.049E-01	2.944E-01	
	PI	PI/PIN-	PI/PO			
	0	0	0			
2	5.853E 00	1.642E-01	1.021E 00	7.214E-02	5.380E 02	
	5.128E-02	4.873E-02	4.826E-02	2.968E-01	2.939E-01	
	0	0	0			
2	5.849E 00	1.641E-01	1.020E 00	7.209E-02	5.380E 02	
	5.066E-02	4.904E-02	4.810E-02	2.999E-01	2.932E-01	
	0	0	0			

UNCLASSIFIED

AEDC(ARO,INC.)ARNOLD AFS, TENNESSEE  
VON KARMAN GAS DYNAMICS FACILITY  
GAS DYNAMIC WIND TUNNEL,SUPERSONIC (A)

PAGE NO.	ONE	CONF	MACH	X/D	TT
2	5.762E-00	1.616E-01	2.980	9.000	5.390E 02
	PT	PR2			P82/PINF
	PI	P1/PINF			P82/PINF
	0	0			0
2	5.787E 00	1.623E-01	1.009E 00	7.133E-02	5.390E 02
	0	0		2.944E-01	2.915E-01
	0	0			
2	5.797E 00	1.626E-01	1.011E 00	7.144E-02	5.400E 02
	0	0		2.938E-01	2.910E-01
	0	0			

AEDC(ARO,INC.)ARNOLD AFS, TENNESSEE  
VON KARMAN GAS DYNAMICS FACILITY  
GAS DYNAMIC WIND TUNNEL,SUPERSONIC (A)

PAGE NO.	ONE	CONF	MACH	X/D	TT
2	5.855E 00	1.643E-01	2.980	6.994	5.390E 02
	PT	PR2			P82/PINF
	PI	P1/PINF			P82/PINF
	0	0			0
2	5.844E 00	1.639E-01	1.019E 00	7.212E-02	5.390E 02
	0	0		2.953E-01	2.868E-01
	0	0			
2	5.847E 00	1.640E-01	1.020E 00	7.216E-02	5.380E 02
	0	0		2.971E-01	2.866E-01
	0	0			

UNCLASSIFIED

AEDC(ARO, INC.) ARNOLD AFS, TENNESSEE  
VON KARMAN GAS DYNAMICS FACILITY  
GAS DYNAMIC WIND TUNNEL-SUPERSONIC (A)

PAGE NO.	ONE	CONF	MACH	X/D	RE/IN	TT
2	5.839E 00	1.638E-01	2.980	5.000	7.206E-02	5.390E 02
	VP	TO				
	5.019E-02	4.826E-02	2.946E-01		2.860E-01	
	PI	PI/PIN-	PI/PO			
	0	0	0			
2	5.823E 00	1.634E-01	2.980	3.000	7.187E-02	5.390E 02
	4.972E-02	4.857E-02	2.973E-01		2.868E-01	
	0	0				
2	5.822E 00	1.633E-01	2.980	3.000	7.185E-02	5.390E 02
	4.972E-02	4.857E-02	2.974E-01		2.869E-01	
	0	0				

UNCLASSIFIED

AEDC(ARO, INC.) ARNOLD AFS, TENNESSEE  
VON KARMAN GAS DYNAMICS FACILITY  
GAS DYNAMIC WIND TUNNEL-SUPERSONIC (A)

PAGE NO.	ONE	CONF	MACH	X/D	RE/IN	TT
2	5.912E 00	1.631E-01	2.980	3.000	7.173E-02	5.430E 02
	GVP	TO				
	4.972E-02	4.826E-02	2.950E-01		2.874E-01	
	PI	PI/PINF	PI/PO			
	0	0	0			
2	5.797E 00	1.626E-01	2.980	3.000	7.154E-02	5.430E 02
	4.972E-02	4.857E-02	2.947E-01		2.881E-01	
	0	0				
2	5.798E 00	1.627E-01	2.980	3.000	7.156E-02	5.420E 02
	4.972E-02	4.810E-02	2.957E-01		2.881E-01	
	0	0				

UNCLASSIFIED

AEDC(ARO,INC.)ARNOLD AFS, TENNESSEE  
VON KARMAN GAS DYNAMICS FACILITY  
GAS DYNAMIC WIND TUNNEL,SUPERSONIC (A)

PAGE NO.	ONE	CONF	MACH	X/D	RE/IN	TT
2	5.801E 00	1.627E-01	2.980	1.012E 00	7.160E-02	5.490E 02
4.972E-02	5.014E-02	4.686E-02	3.081E-01	2.879E-01		
PI	PI/PIN	PI/PO				
0	0	0				
2	5.798E 00	1.627E-01	2.980	1.011E 00	7.156E-02	5.490E 02
4.956E-02	4.873E-02	4.686E-02	2.996E-01	2.881E-01		
2	5.800E 00	1.627E-01	2.980	1.011E 00	7.158E-02	5.490E 02
4.956E-02	4.889E-02	4.686E-02	3.005E-01	2.880E-01		

7 16 67

AEDC(ARO,INC.)ARNOLD AFS, TENNESSEE  
VON KARMAN GAS DYNAMICS FACILITY  
GAS DYNAMIC WIND TUNNEL,SUPERSONIC (A)

PAGE NO.	ONE	CONF	MACH	X/D	RE/IN	TT
2	5.804E 00	1.628E-01	2.980	1.006	7.164E-02	5.540E 02
4.941E-02	4.920E-02	4.701E-02	3.022E-01	2.887E-01		
PI	PI/PIN	PI/PO				
0	0	0				
2	5.801E 00	1.627E-01	2.980	1.012E 00	7.160E-02	5.540E 02
4.941E-02	4.904E-02	4.701E-02	3.014E-01	2.889E-01		
2	5.803E 00	1.628E-01	2.980	1.012E 00	7.162E-02	5.540E 02
4.941E-02	4.936E-02	4.717E-02	3.032E-01	2.897E-01		

9 16 67

UNCLASSIFIED

AEDC(ARO, INC.) ARNOLD AFS, TENNESSEE  
VON KARMAN GAS DYNAMICS FACILITY  
GAS DYNAMIC WIND TUNNEL, SUPERSONIC (A)

PAGE NO.	ONE	CONF	MACH	X/D	TT
2	5.900E 00	1.627E-01	2.980	0.503	5.510E 02
	PI	PR2	Q1/F	RE/IN	TT
	4.941E-02	4.701E-02	3.014E-01	2.889E-01	
	PI	PI/PO			
	0	0			
2	5.797E 00	1.626E-01	1.011E 00	7.163E-02	5.510E 02
	4.956E-02	4.701E-02	3.035E-01	2.891E-01	
	0	0			
2	5.793E 00	1.625E-01	1.010E 00	7.160E-02	5.510E 02
	4.956E-02	4.701E-02	3.019E-01	2.893E-01	
	0	0			

9 16 67

UNCLASSIFIED

AEDC(ARO, INC.) ARNOLD AFS, TENNESSEE  
VON KARMAN GAS DYNAMICS FACILITY  
GAS DYNAMIC WIND TUNNEL, SUPERSONIC (A)

PAGE NO.	ONE	CONF	MACH	X/D	TT
2	1.352E 01	9.021E-02	3.990	11.000	5.220E 02
	PI	PR2	Q1/F	RE/IN	TT
	1.986E-02	1.603E-02	1.754E-01	1.777E-01	
	PI	PI/PO			
	0	0			
2	1.352E 01	9.026E-02	1.006E 00	9.891E-02	5.220E 02
	1.954E-02	1.603E-02	1.753E-01	1.776E-01	
	0	0			
2	1.351E 01	9.016E-02	1.005E 00	9.879E-02	5.220E 02
	1.923E-02	1.619E-02	1.807E-01	1.796E-01	
	0	0			

UNCLASSIFIED

AEDC (ARO, INC.) ARNOLD AFS, TENNESSEE  
VON KARMAN GAS DYNAMICS FACILITY  
GAS DYNAMIC WIND TUNNEL, SUPERSONIC (A)

PAGE NO.	ONE	CONF	MACH	X/D	TT
2	1.350E-01	9.011E-02	3.990	9.006	5.210E 02
	PI	PB1	PINF	QINF	RE/IN
	0	0	0	0	0
	PI/PINF	PI/PO			
	0	0			
2	1.349E 01	9.006E-02	1.004E 00	9.841E-02	5.210E 02
	0	0	0	1.780E-01	0
	PI	PB1	PINF	QINF	RE/IN
	0	0	0	0	0
	PI/PINF	PI/PO			
	0	0			
2	1.349E 01	9.006E-02	1.004E 00	9.828E-02	5.210E 02
	0	0	0	1.780E-01	0
	PI	PB1	PINF	QINF	RE/IN
	0	0	0	0	0
	PI/PINF	PI/PO			
	0	0			

AEDC (ARO, INC.) ARNOLD AFS, TENNESSEE  
VON KARMAN GAS DYNAMICS FACILITY  
GAS DYNAMIC WIND TUNNEL, SUPERSONIC (A)

PAGE NO.	ONE	CONF	MACH	X/D	TT
2	1.354E-01	9.037E-02	3.990	6.994	5.180E 02
	PI	PB1	PINF	QINF	RE/IN
	0	0	0	0	0
	PI/PINF	PI/PO			
	0	0			
2	1.356E 01	9.053E-02	1.000E 00	9.880E-02	5.180E 02
	0	0	0	1.771E-01	0
	PI	PB1	PINF	QINF	RE/IN
	0	0	0	0	0
	PI/PINF	PI/PO			
	0	0			
2	1.345E 01	8.979E-02	1.001E 00	9.800E-02	5.180E 02
	0	0	0	1.786E-01	0
	PI	PB1	PINF	QINF	RE/IN
	0	0	0	0	0
	PI/PINF	PI/PO			
	0	0			

UNCLASSIFIED

AEDC(ARO,INC.)ARNOLD AFS, TENNESSEE  
VON KARMAN GAS DYNAMICS FACILITY  
GAS DYNAMIC WIND TUNNEL,SUPERSONIC (A)

PAGE NO.	ONE	CONF	MACH	X/D	RE/IN	TT
2	1.349E 01	9.004E-02	3.990	5.000	9.828E-02	5.190E 02
	1.814E-02	1.603E-02			1.780E-01	
2	1.349E 01	9.006E-02	3.990	5.000	9.828E-02	5.190E 02
	1.814E-02	1.603E-02			1.780E-01	

AEDC(ARO,INC.)ARNOLD AFS, TENNESSEE  
VON KARMAN GAS DYNAMICS FACILITY  
GAS DYNAMIC WIND TUNNEL,SUPERSONIC (A)

PAGE NO.	ONE	CONF	MACH	X/D	RE/IN	TT
2	1.355E 01	9.042E-02	3.990	3.000	9.869E-02	5.440E 02
	1.782E-02	1.603E-02			1.773E-01	
2	1.353E 01	9.032E-02	3.990	3.000	9.857E-02	5.440E 02
	1.782E-02	1.588E-02			1.752E-01	

UNCLASSIFIED

AEDC(ARO,INC.)ARNOLD AFS, TENNESSEE  
 VON KARMAN GAS DYNAMICS FACILITY  
 GAS DYNAMIC WIND TUNNEL,SUPERSONIC (A)

PAGE NO.	ONE	GROUP	CONF	MACH	X/D	RE/IN	TT
6	101	2	3.990	2.006			
2	1.354E 01	5.620E 02	9.037E-02	1.007E 00	9.862E-02	5.700E 02	
	PT	P81	PR2	P81/PINF	P82/PINF		
	1.782E-02	1.630E-02	1.603E-02	1.803E-01	1.774E-01		
	PI	PI/PINF	PI/PO				
	0	0	0				
2	1.355E 01	5.620E 02	9.042E-02	1.008E 00	9.868E-02	5.700E 02	
	1.782E-02	1.583E-02	1.603E-02	1.750E-01	1.773E-01		
	0	0	0				
2	1.355E 01	5.620E 02	9.042E-02	1.008E 00	9.868E-02	5.700E 02	
	1.767E-02	1.583E-02	1.603E-02	1.750E-01	1.773E-01		
	0	0	0				

AEDC(ARO,INC.)ARNOLD AFS, TENNESSEE  
 VON KARMAN GAS DYNAMICS FACILITY  
 GAS DYNAMIC WIND TUNNEL,SUPERSONIC (A)

PAGE NO.	ONE	GROUP	CONF	MACH	X/D	RE/IN	TT
6	102	2	3.990	1.000			
2	1.342E 01	5.620E 02	8.958E-02	9.983E-01	9.777E-02	5.740E 02	
	PT	P81	PR2	P81/PINF	P82/PINF		
	1.767E-02	1.614E-02	1.603E-02	1.802E-01	1.790E-01		
	PI	PI/PINF	PI/PO				
	0	0	0				
2	1.347E 01	5.620E 02	8.990E-02	1.002E 00	9.811E-02	5.740E 02	
	1.751E-02	1.583E-02	1.603E-02	1.760E-01	1.784E-01		
	0	0	0				
2	1.348E 01	5.620E 02	9.000E-02	1.003E 00	9.822E-02	5.740E 02	
	1.751E-02	1.583E-02	1.603E-02	1.754E-01	1.781E-01		
	0	0	0				



UNCLASSIFIED

AEDCIARO, INC. | ARNOLD AFS, TENNESSEE  
VON KARMAN GAS DYNAMICS FACILITY  
GAS DYNAMIC WIND TUNNEL SUPERSONIC (A)

PAGE NO.	ONE	GROUP	CONF	MACH	X/D	RE/IN	TT
6	103	2	3.990	.503			
2	1.350E 01	5.620E 02	9.011E-02	1.004E 00	9.834E-02	5.550E 02	
	PI	PB1	PR2	PH1/PINF	PR2/FINF		
	1.767E-02	1.614E-02	1.603E-02	1.791E-01	1.779E-01		
	PI	PI/PINF	PI/PO				
	0	0	0				
2	1.349E 01	5.620E 02	9.006E-02	1.004E 00	9.828E-02	5.550E 02	
	1.657E-02	1.583E-02	1.603E-02	1.757E-01	1.780E-01		
	0	0	0				
2	1.350E 01	5.620E 02	9.011E-02	1.004E 00	9.834E-02	5.550E 02	
	1.720E-02	1.514E-02	1.603E-02	1.791E-01	1.779E-01		
	0	0	0				

AEDCIARO, INC. | ARNOLD AFS, TENNESSEE  
VON KARMAN GAS DYNAMICS FACILITY  
GAS DYNAMIC WIND TUNNEL SUPERSONIC (A)

PAGE NO.	ONE	GROUP	CONF	MACH	X/D	RE/IN	TT
6	104	2	5.010	.497			
2	3.060E 01	5.620E 02	5.717E-02	1.004E 00	1.352E-01	5.660E 02	
	PI	PB1	PR2	PH1/PINF	PR2/PINF		
	1.094E-02	5.641E-03	8.406E-03	9.867E-02	1.470E-01		
	PI	PI/PINF	PI/PO				
	0	0	0				
2	3.058E 01	5.620E 02	5.712E-02	1.004E 00	1.351E-01	5.660E 02	
	1.032E-02	5.954E-03	8.250E-03	1.042E-01	1.444E-01		
	0	0	0				
2	3.056E 01	5.620E 02	5.709E-02	1.003E 00	1.350E-01	5.660E 02	
	1.048E-02	6.111E-03	7.939E-03	1.070E-01	1.391E-01		
	0	0	0				

UNCLASSIFIED

AEDC(ARO,INC.)ARNOLD AFS, TENNESSEE  
VON KARMAN GAS DYNAMICS FACILITY  
GAS DYNAMIC WIND TUNNEL,SUPERSONIC (A)

PAGE NO.	ONE	CONF	MACH	X/D	RE/IN	TT
2	3.044E-01	5.620E-02	5.010	1.006	1.345F-01	5.940E-02
	PI	PB1	PINF	QINF	P82/PINF	
	1.016E-02	5.484E-03	7.161E-03	9.645E-02	1.259E-01	
	PI	PI/PINF	PI/PO			
	0	0	0			
2	3.043E-01	5.620E-02	5.684E-02	9.988E-01	1.344E-01	5.940E-02
	1.016E-02	6.738E-03	7.005E-03	1.185E-01	1.232E-01	
	PI	0	0			
2	3.040E-01	5.620E-02	5.679E-02	9.977E-01	1.343E-01	5.940E-02
	1.001E-02	5.798E-03	7.161E-03	1.021E-01	1.261E-01	
	PI	0	0			
2	3.036E-01	5.620E-02	5.671E-02	9.964E-01	1.341E-01	5.940E-02
	1.079E-02	7.521E-03	6.849E-03	1.326E-01	1.208E-01	
	PI	0	0			

AEDC(ARO,INC.)ARNOLD AFS, TENNESSEE  
VON KARMAN GAS DYNAMICS FACILITY  
GAS DYNAMIC WIND TUNNEL,SUPERSONIC (A)

PAGE NO.	ONE	CONF	MACH	X/D	RE/IN	TT
2	3.025E-01	5.615E-02	5.010	2.000	1.334E-01	5.930E-02
	PI	PB1	PINF	QINF	P82/PINF	
	9.694E-03	5.484E-03	6.539E-03	9.705E-02	1.157E-01	
	PI	PI/PINF	PI/PO			
	0	0	0			
2	3.038E-01	5.615E-02	5.676E-02	9.972E-01	1.344E-01	5.930E-02
	9.850E-03	6.248E-03	6.227E-03	1.104E-01	1.097E-01	
	PI	0	0			
2	3.039E-01	5.615E-02	5.677E-02	9.975E-01	1.344E-01	5.920E-02
	9.537E-03	6.111E-03	6.382E-03	1.076E-01	1.124E-01	
	PI	0	0			

UNCLASSIFIED

UNCLASSIFIED

AEDC(ARO,INC.)ARNOLD AFS, TENNESSEE  
VON KARMAN GAS DYNAMICS FACILITY  
GAS DYNAMIC WIND TUNNEL,SUPERSONIC (A)

PAGE NO.	ONE	CONF	MACH	X/D	RE/IN	TT
2	3.033E-01	5.615E-02	5.010	3.000	1.342E-01	5.540E-02
	PT	PB1	PR2	QINF	PB2/PINF	
	9.225E-03	5.171E-03	6.227E-03	9.127E-02	1.099E-01	
	P1	P1/PINF	P1/PO			
	0	0	0			
2	3.052E-01	5.615E-02	5.702E-02	1.002E-00	1.350E-01	5.530E-02
	9.068E-03	5.484E-03	6.694E-03	9.618E-02	1.174E-01	
	0	0	0			
2	3.058E-01	5.615E-02	5.712E-02	1.004E-00	1.353E-01	5.530E-02
	8.755E-03	6.894E-03	6.694E-03	1.207E-01	1.172E-01	
	0	0	0			

AEDC(ARO,INC.)ARNOLD AFS, TENNESSEE  
VON KARMAN GAS DYNAMICS FACILITY  
GAS DYNAMIC WIND TUNNEL,SUPERSONIC (A)

PAGE NO.	ONE	CONF	MACH	X/D	RE/IN	TT
2	3.074E-01	5.610E-02	5.743E-02	1.009E-00	1.362E-01	5.150E-02
	PT	PR1	PR2	P1/PINF	PB2/PINF	
	8.286E-03	5.171E-03	6.694E-03	9.004E-02	1.166E-01	
	P1	P1/PIN	P1/PO			
	0	0	0			
2	3.074E-01	5.610E-02	5.743E-02	1.009E-00	1.362E-01	5.150E-02
	8.286E-03	5.798E-03	6.538E-03	1.009E-01	1.138E-01	
	0	0	0			
2	3.077E-01	5.610E-02	5.749E-02	1.010E-00	1.363E-01	5.140E-02
	8.443E-03	6.111E-03	6.694E-03	1.063E-01	1.164E-01	
	0	0	0			

UNCLASSIFIED

AEDC(ARO,INC.)ARNOLD AFS, TENNESSEE  
VON KARMAN GAS DYNAMICS FACILITY  
GAS DYNAMIC WIND TUNNEL,SUPERSONIC (A)

PAGE NO.	ONE	CONF	MACH	X/D	RE/IN	TT
2	3.075E-01	5.600E-02	5.744E-02	1.009E-00	1.366E-01	5.100E-02
	PI	PB1	PR2	PB1/PINF	PR2/PINF	
	7.974E-03	6.268E-03	6.538E-03	1.091E-01	1.138E-01	
	PI	PI/PINF	PI/PO			
	0	0	0			
2	3.078E-01	5.600E-02	5.750E-02	1.010E-00	1.367E-01	5.100E-02
	0	0	0	1.281E-01	1.137E-01	
	8.130E-03	6.111E-03	7.005E-03	1.064E-01	1.220E-01	
	0	0	0			
2	3.074E-01	5.600E-02	5.743E-02	1.009E-00	1.366E-01	5.100E-02

AEDC(ARO,INC.)ARNOLD AFS, TENNESSEE  
VON KARMAN GAS DYNAMICS FACILITY  
GAS DYNAMIC WIND TUNNEL,SUPERSONIC (A)

PAGE NO.	ONE	CONF	MACH	X/D	RE/IN	TT
2	3.058E-01	5.600E-02	5.712E-02	1.004E-00	1.358E-01	5.090E-02
	PI	PB1	PR2	PI/PINF	PB2/PINF	
	7.661E-03	5.484E-03	7.005E-03	9.601E-02	1.225E-01	
	PI	PI/PINF	PI/PO			
	0	0	0			
2	3.071E-01	5.600E-02	5.737E-02	1.008E-00	1.364E-01	5.090E-02
	0	0	0	1.092E-01	1.140E-01	
	7.974E-03	6.268E-03	6.538E-03	1.092E-01	1.140E-01	
	0	0	0			
2	3.058E-01	5.600E-02	5.712E-02	1.004E-00	1.358E-01	5.090E-02
	0	0	0	1.152E-01	1.117E-01	
	7.817E-03	6.581E-03	6.382E-03	1.152E-01	1.117E-01	
	0	0	0			

UNCLASSIFIED

AEDCIARD, INC., ARNOLD AFS, TENNESSEE  
 VON KARMAN GAS DYNAMICS FACILITY  
 GAS DYNAMIC WIND TUNNEL, SUPERSONIC (A)

PAGE NO.	ONE	CONF	MACH	X/D	TT
2	3.068E 01	5.600E 02	5.731E-02	1.007E 00	1.363E-01
	PT	PB1	PR2	PB1/PINF	PB2/PINF
	7.505E-03	5.484E-03	6.538E-03	9.569E-02	1.141E-01
	PI	PI/PINF	PI/PO		
	0	0	0		
2	3.057E 01	5.600E 02	5.711E-02	1.003E 00	1.358E-01
	7.505E-03	6.111E-03	6.694E-03	1.070E-01	1.172E-01
	0	0	0		
2	3.069E 01	5.600E 02	5.733E-02	1.007E 00	1.363E-01
	7.505E-03	5.954E-03	6.694E-03	1.039E-01	1.168E-01
	0	0	0		

e. Wake Centerline Calculated Parameters (Configuration 2)

SAMPLE WAKE CENTERLINE CALCULATED PARAMETERS

ML      ML/MINF      PTL/PO      QL      QL/QINF      PTL2/PO      PS/PO

NOTE: The above quantities were calculated using the centerline probe data (Section II, Item 3, d)

9 14 67

UNCLASSIFIED

AEDC(ARO,INC.)ARNOLD AFS, TENNESSEE  
 VON KARMAN GAS DYNAMICS FACILITY  
 GAS DYNAMIC WIND TUNNEL,SUPERSONIC (A)

TOTAL GROUP(A)	STATIC GROUP(B)	MACH(B)	CONF(B)	X/D(B)	QINF(B)	RE(B)
16	72	2.000E 00	2	5.031E-01	1.039E 00	5.8d2E-02
ML	ML/MINF	QL	QL/QINF	PTL2/PO	PS/PO	
0	0	0	0	5.787E-02	6.345E-02	
0	0	0	0	5.787E-02	6.341E-02	
0	0	0	0	5.787E-02	6.348E-02	

UNCLASSIFIED

9 14 67

AEDC(ARO,INC.)ARNOLD AFS, TENNESSEE  
 VON KARMAN GAS DYNAMICS FACILITY  
 GAS DYNAMIC WIND TUNNEL,SUPERSONIC (A)

TOTAL GROUP(A)	STATIC GROUP(B)	MACH(B)	CONF(B)	X/D(B)	QINF(B)	RE(B)
15	71	2.000E 00	2	1.000E 00	1.037E 00	5.876E-02
ML	ML/MINF	QL	QL/QINF	PTL2/PO	PS/PO	
3.759E-01	1.880E-01	2.507E-02	2.416E-02	9.635E-02	8.740E-02	
3.806E-01	1.903E-01	2.565E-02	2.471E-02	9.635E-02	8.719E-02	
3.820E-01	1.910E-01	2.580E-02	2.487E-02	9.635E-02	8.713E-02	

UNCLASSIFIED

9 14 67

AEDC(ARO,INC.)ARNOLD AFS, TENNESSEE  
 VON KARMAN GAS DYNAMICS FACILITY  
 GAS DYNAMIC WIND TUNNEL,SUPERSONIC (A)

TOTAL GROUP(A)	STATIC GROUP(B)	MACH(B)	CONF(B)	X/D(B)	QINF(B)	RE(B)
14	70	2.000E 00	2	1.994E 00	1.038E 00	5.879E-02
ML	ML/MINF	QL	QL/QINF	PTL2/PO	PS/PO	
6.733E-01	3.367E-01	1.511E-01	1.456E-01	2.224E-01	1.642E-01	
6.769E-01	3.384E-01	1.527E-01	1.467E-01	2.224E-01	1.637E-01	
6.740E-01	3.370E-01	1.514E-01	1.458E-01	2.224E-01	1.641E-01	



9 14 67

UNCLASSIFIED

AEDC(ARO,INC.)ARNOLD AFS, TENNESSEE  
VON KARMAN GAS DYNAMICS FACILITY  
GAS DYNAMIC WIND TUNNEL SUPERSONIC (A)

TOTAL GROUP (A)	STATIC GROUP (B)	MACH (B)	CONF (B)	X/D (B)	QINF (B)	RE (B)
13	69	2.000E 00	2	3.000E 00	1.041E 00	5.895E-02
ML	PTL/PO	QL	QL/QINF	PTL2/PO	PS/PO	
9.601E-01	2.945E-01	3.059E-01	2.939E-01	2.945E-01	1.630E-01	
9.586E-01	2.945E-01	3.051E-01	2.935E-01	2.945E-01	1.633E-01	
9.598E-01	2.945E-01	3.059E-01	2.938E-01	2.945E-01	1.630E-01	

9 14 67

UNCLASSIFIED

AEDC(ARO,INC.)ARNOLD AFS, TENNESSEE  
VON KARMAN GAS DYNAMICS FACILITY  
GAS DYNAMIC WIND TUNNEL SUPERSONIC (A)

TOTAL GROUP (A)	STATIC GROUP (B)	MACH (B)	CONF (B)	X/D (B)	QINF (B)	RE (B)
12	68	2.000E 00	2	5.006E 00	1.041E 00	5.898E-02
ML	PTL/PO	QL	QL/QINF	PTL2/PO	PS/PO	
1.282E 00	6.411E-01	4.894E-01	4.700E-01	3.883E-01	1.461E-01	
1.282E 00	6.411E-01	4.887E-01	4.700E-01	3.883E-01	1.461E-01	
1.282E 00	6.411E-01	4.890E-01	4.699E-01	3.883E-01	1.461E-01	

9 14 67

UNCLASSIFIED

AEDC(ARO,INC.)ARNOLD AFS, TENNESSEE  
VON KARMAN GAS DYNAMICS FACILITY  
GAS DYNAMIC WIND TUNNEL SUPERSONIC (A)

TOTAL GROUP (A)	STATIC GROUP (B)	MACH (B)	CONF (B)	X/D (B)	QINF (B)	RE (B)
11	67	2.000E 00	2	7.000E 00	1.039E 00	5.882E-02
ML	PTL/PO	QL	QL/QINF	PTL2/PO	PS/PO	
1.499E 00	7.495E-01	5.817E-01	5.601E-01	4.345E-01	1.274E-01	
1.499E 00	7.495E-01	5.817E-01	5.601E-01	4.345E-01	1.274E-01	
1.499E 00	7.495E-01	5.822E-01	5.603E-01	4.345E-01	1.275E-01	

9 14 67

UNCLASSIFIED

AEDC(ARO,INC.)ARNOLD AFS, TENNESSEE  
 VON KARMAN GAS DYNAMICS FACILITY  
 GAS DYNAMIC WIND TUNNEL,SUPERSONIC (A)

TOTAL GROUP(A)	STATIC GROUP(B)	MACH(B)	CONF(H)	X/D(B)	QINF(B)	RE(B)
10	66	2.000E 00	2	9.006E 00	1.044E 00	5.911E-02
ML	ML/MINF	QL	QL/QINF	PTL2/PO	PS/PO	
1.515E 00	7.573E-01	6.545E-01	6.272E-01	4.850E-01	1.399E-01	
1.513E 00	7.563E-01	6.479E-01	6.272E-01	4.850E-01	1.401E-01	
1.519E 00	7.593E-01	6.506E-01	6.282E-01	4.850E-01	1.393E-01	

9 14 67

UNCLASSIFIED

AEDC(ARO,INC.)ARNOLD AFS, TENNESSEE  
 VON KARMAN GAS DYNAMICS FACILITY  
 GAS DYNAMIC WIND TUNNEL,SUPERSONIC (A)

TOTAL GROUP(A)	STATIC GROUP(B)	MACH(B)	CONF(B)	X/D(B)	QINF(B)	RE(B)
9	65	2.000E 00	2	1.100E 01	1.040E 00	5.892E-02
ML	ML/MINF	QL	QL/QINF	PTL2/PO	PS/PO	
1.589E 00	7.944E-01	7.009E-01	6.737E-01	5.129E-01	1.364E-01	
1.587E 00	7.935E-01	7.004E-01	6.729E-01	5.129E-01	1.366E-01	
1.587E 00	7.935E-01	7.013E-01	6.735E-01	5.129E-01	1.367E-01	

9 14 67

UNCLASSIFIED

AEDC(ARO,INC.)ARNOLD AFS, TENNESSEE  
 VON KARMAN GAS DYNAMICS FACILITY  
 GAS DYNAMIC WIND TUNNEL,SUPERSONIC (A)

TOTAL GROUP(A)	STATIC GROUP(B)	MACH(B)	CONF(B)	X/D(B)	QINF(B)	RE(B)
24	64	2.980E 00	2	5.031E-01	1.017E 00	7.247E-02
ML	ML/MINF	QL	QL/QINF	PTL2/PO	PS/PO	
0	0	0	0	6.515E-03	7.717E-03	
0	0	0	0	6.515E-03	7.673E-03	
0	0	0	0	6.515E-03	7.700E-03	

UNCLASSIFIED 9 14 67

AEDCIARO, INC. JARNOLO AFS, TENNESSEE  
 VON KARMAN GAS DYNAMICS FACILITY  
 GAS DYNAMIC WIND TUNNEL SUPERSONIC (A)

TOTAL GROUP (A)	STATIC GROUP (B)	MACH (B)	CONF (B)	X/D (B)	QINF (B)	RE (B)
ML	63	2.980E 00	2	1.000E 00	1.022E 00	7.278E-02
	PTL/PO	QL	QL/QINF	PTL2/PO	PS/PO	
6.474E-01	2.173E-01	2.928E-02	2.866E-02	2.257E-02	1.703E-02	
6.474E-01	2.173E-01	2.928E-02	2.866E-02	2.257E-02	1.703E-02	
6.490E-01	2.178E-01	2.942E-02	2.876E-02	2.257E-02	1.701E-02	

UNCLASSIFIED 9 14 67

AEDCIARO, INC. JARNOLO AFS, TENNESSEE  
 VON KARMAN GAS DYNAMICS FACILITY  
 GAS DYNAMIC WIND TUNNEL SUPERSONIC (A)

TOTAL GROUP (A)	STATIC GROUP (B)	MACH (B)	CONF (B)	X/D (B)	QINF (B)	RE (B)
ML	62	2.980E 00	2	2.006E 00	1.019E 00	7.261E-02
	PTL/PO	QL	QL/QINF	PTL2/PO	PS/PO	
1.325E 00	4.447E-01	2.517E-01	2.470E-01	9.793E-02	3.504E-02	
1.319E 00	4.427E-01	2.472E-01	2.462E-01	9.793E-02	3.524E-02	
1.321E 00	4.434E-01	2.473E-01	2.466E-01	9.793E-02	3.518E-02	

UNCLASSIFIED 9 14 67

AEDCIARO, INC. JARNOLO AFS, TENNESSEE  
 VON KARMAN GAS DYNAMICS FACILITY  
 GAS DYNAMIC WIND TUNNEL SUPERSONIC (A)

TOTAL GROUP (A)	STATIC GROUP (B)	MACH (B)	CONF (B)	X/D (B)	QINF (B)	RE (B)
ML	61	2.980E 00	2	3.000E 00	1.024E 00	7.337E-02
	PTL/PO	QL	QL/QINF	PTL2/PO	PS/PO	
1.618E 00	5.430E-01	3.655E-01	3.568E-01	1.317E-01	3.395E-02	
1.620E 00	5.437E-01	3.652E-01	3.566E-01	1.317E-01	3.385E-02	
1.620E 00	5.437E-01	3.661E-01	3.573E-01	1.317E-01	3.391E-02	

9 14 67

UNCLASSIFIED

AEDC(ARO,INC.)ARNOLD AFS, TENNESSEE  
VON KARMAN GAS DYNAMICS FACILITY  
GAS DYNAMIC WIND TUNNEL+SUPERSONIC (A)

TOTAL GROUP(A)	STATIC GROUP(B)	MACH(B)	CONF(B)	X/D(B)	QINF(B)	RE(B)
20	60	2.980E 00	2	5.006E 00	1.020E 00	7.294E-02
ML	PTL/PO	OL	QL/QINF	PTL2/PO	PS/PO	
1.923E 00	6.453E-01	4.591E-01	4.502E-01	1.595E-01	3.033E-02	
1.929E 00	6.472E-01	4.594E-01	4.512E-01	1.595E-01	3.022E-02	
1.923E 00	6.453E-01	4.591E-01	4.502E-01	1.595E-01	3.033E-02	

9 14 67

UNCLASSIFIED

AEDC(ARO,INC.)ARNOLD AFS, TENNESSEE  
VON KARMAN GAS DYNAMICS FACILITY  
GAS DYNAMIC WIND TUNNEL+SUPERSONIC (A)

TOTAL GROUP(A)	STATIC GROUP(B)	MACH(B)	CONF(B)	X/D(B)	QINF(B)	RE(B)
19	59	2.980E 00	2	7.006E 00	1.013E 00	7.249E-02
ML	PTL/PO	OL	QL/QINF	PTL2/PO	PS/PO	
2.089E 00	7.010E-01	5.201E-01	5.133E-01	1.788E-01	2.931E-02	
2.083E 00	6.990E-01	5.196E-01	5.125E-01	1.788E-01	2.942E-02	
2.087E 00	7.003E-01	5.206E-01	5.132E-01	1.788E-01	2.935E-02	

9 14 67

UNCLASSIFIED

AEDC(ARO,INC.)ARNOLD AFS, TENNESSEE  
VON KARMAN GAS DYNAMICS FACILITY  
GAS DYNAMIC WIND TUNNEL+SUPERSONIC (A)

TOTAL GROUP(A)	STATIC GROUP(B)	MACH(B)	CONF(B)	X/D(B)	QINF(B)	RE(B)
18	58	2.980E 00	2	9.000E 00	1.022E 00	7.278E-02
ML	PTL/PO	OL	QL/QINF	PTL2/PO	PS/PO	
2.075E 00	6.964E-01	5.755E-01	5.633E-01	1.965E-01	3.259E-02	
2.077E 00	6.970E-01	5.742E-01	5.627E-01	1.965E-01	3.249E-02	
2.075E 00	6.964E-01	5.726E-01	5.627E-01	1.965E-01	3.255E-02	

9 14 67

UNCLASSIFIED

AEDC(ARO,INC.)ARNOLD AFS, TENNESSEE  
VON KARMAN GAS DYNAMICS FACILITY  
GAS DYNAMIC WIND TUNNEL,SUPERSONIC (A)

TOTAL GROUP(A)	STATIC GROUP(B)	MACH(B)	CONF(B)	X/D(B)	QINF(B)	RE(B)
17	57	2.980E 00	2	1.101E 01	9.814E-01	6.992E-02
ML	PTL/PO	QL	QL/QINF	PTL2/PO	PS/PO	
2.149E 00	3.329E-01	6.124E-01	6.244E-01	2.168E-01	3.367E-02	
2.210E 00	3.477E-01	6.457E-01	6.275E-01	2.168E-01	3.201E-02	
2.212E 00	3.482E-01	6.457E-01	6.275E-01	2.168E-01	3.195E-02	

9 14 67

UNCLASSIFIED

AEDC(ARO,INC.)ARNOLD AFS, TENNESSEE  
VON KARMAN GAS DYNAMICS FACILITY  
GAS DYNAMIC WIND TUNNEL,SUPERSONIC (A)

TOTAL GROUP(A)	STATIC GROUP(B)	MACH(B)	CONF(B)	X/D(B)	QINF(B)	RE(B)
32	55	3.990E 00	2	4.969E-01	1.005E 00	9.866E-02
ML	PTL/PO	QL	QL/QINF	PTL2/PO	PS/PO	
4.526E-01	1.134E-01	3.384E-03	3.368E-03	2.011E-03	1.748E-03	
5.046E-01	1.265E-01	4.068E-03	4.051E-03	2.011E-03	1.690E-03	
5.165E-01	1.295E-01	4.233E-03	4.210E-03	2.011E-03	1.677E-03	

9 14 67

UNCLASSIFIED

AEDC(ARO,INC.)ARNOLD AFS, TENNESSEE  
VON KARMAN GAS DYNAMICS FACILITY  
GAS DYNAMIC WIND TUNNEL,SUPERSONIC (A)

TOTAL GROUP(A)	STATIC GROUP(B)	MACH(B)	CONF(B)	X/D(B)	QINF(B)	RE(B)
31	56	3.990E 00	2	1.000E 00	1.006E 00	9.877E-02
ML	PTL/PO	QL	QL/QINF	PTL2/PO	PS/PO	
1.226E 00	3.072E-01	5.593E-02	5.560E-02	9.765E-03	3.933E-03	
1.224E 00	3.067E-01	5.592E-02	5.552E-02	9.765E-03	3.941E-03	
1.216E 00	3.047E-01	5.569E-02	5.530E-02	9.765E-03	3.975E-03	
1.212E 00	3.037E-01	5.566E-02	5.527E-02	9.765E-03	3.999E-03	
1.210E 00	3.032E-01	5.564E-02	5.525E-02	9.765E-03	4.010E-03	
1.202E 00	3.013E-01	5.540E-02	5.498E-02	9.765E-03	4.043E-03	
1.204E 00	3.018E-01	5.553E-02	5.513E-02	9.765E-03	4.040E-03	

9 14 67

UNCLASSIFIED

AEDC(ARO,INC.)ARNOLD AFS, TENNESSEE  
VON KARMAN GAS DYNAMICS FACILITY  
GAS DYNAMIC WIND TUNNEL,SUPERSONIC (A)

TOTAL GROUP (A)	STATIC GROUP (B)	MACH (B)	CONF (B)	X/D (B)	QINF (B)	RE (B)
30	54	3.990E 00	2	2.000E 00	1.010E 00	9.917E-02
ML	PTL/PO	QL	QL/QINF	PTL2/PO	PS/PO	
1.849E 00	4.633E-01	2.339E-01	2.315E-01	3.524E-02	7.198E-03	
1.847E 00	4.628E-01	2.337E-01	2.312E-01	3.524E-02	7.205E-03	
1.837E 00	4.604E-01	2.316E-01	2.312E-01	3.524E-02	7.280E-03	

9 14 67

UNCLASSIFIED

AEDC(ARO,INC.)ARNOLD AFS, TENNESSEE  
VON KARMAN GAS DYNAMICS FACILITY  
GAS DYNAMIC WIND TUNNEL,SUPERSONIC (A)

TOTAL GROUP (A)	STATIC GROUP (B)	MACH (B)	CONF (B)	X/D (B)	QINF (B)	RE (B)
29	53	3.990E 00	2	3.000E 00	1.012E 00	9.940E-02
ML	PTL/PO	QL	QL/QINF	PTL2/PO	PS/PO	
1.995E 00	5.000E-01	3.087E-01	3.050E-01	4.574E-02	8.141E-03	
1.987E 00	4.981E-01	3.063E-01	3.050E-01	4.574E-02	8.207E-03	
1.999E 00	5.010E-01	3.099E-01	3.054E-01	4.574E-02	8.122E-03	

9 14 67

UNCLASSIFIED

AEDC(ARO,INC.)ARNOLD AFS, TENNESSEE  
VON KARMAN GAS DYNAMICS FACILITY  
GAS DYNAMIC WIND TUNNEL,SUPERSONIC (A)

TOTAL GROUP (A)	STATIC GROUP (B)	MACH (B)	CONF (B)	X/D (B)	QINF (B)	RE (B)
28	52	3.990E 00	2	5.000E 00	1.004E 00	9.860E-02
ML	PTL/PO	QL	QL/QINF	PTL2/PO	PS/PO	
2.360E 00	5.916E-01	3.750E-01	3.735E-01	5.454E-02	7.123E-03	
2.372E 00	5.945E-01	3.787E-01	3.739E-01	5.454E-02	7.061E-03	
2.366E 00	5.930E-01	3.750E-01	3.735E-01	5.454E-02	7.088E-03	

9 14 67

UNCLASSIFIED

AEDC(ARO,INC.)ARNOLD AFS, TENNESSEE  
VON KARMAN GAS DYNAMICS FACILITY  
GAS DYNAMIC WIND TUNNEL,SUPERSONIC (A)

TOTAL GROUP(A)	STATIC GROUP(B)	MACH(B)	CONF(B)	X/D(B)	QINF(B)	RE(B)
27	51	3.990E 00	2	7.006E 00	1.004E 00	9.860E-02
ML	PTL/PO	QL	QL/QINF	PTL2/PO	PS/PO	
2.579E 00	1.347E-01	4.382E-01	4.364E-01	6.304E-02	6.971E-03	
2.581E 00	1.349E-01	4.374E-01	4.366E-01	6.304E-02	6.964E-03	
2.575E 00	1.343E-01	4.369E-01	4.361E-01	6.304E-02	6.988E-03	

9 14 67

UNCLASSIFIED

AEDC(ARO,INC.)ARNOLD AFS, TENNESSEE  
VON KARMAN GAS DYNAMICS FACILITY  
GAS DYNAMIC WIND TUNNEL,SUPERSONIC (A)

TOTAL GROUP(A)	STATIC GROUP(B)	MACH(B)	CONF(B)	X/D(B)	QINF(B)	RE(B)
26	50	3.990E 00	2	9.006E 00	1.011E 00	9.923E-02
ML	PTL/PO	QL	QL/QINF	PTL2/PO	PS/PO	
2.751E 00	1.695E-01	4.844E-01	4.793E-01	6.880E-02	6.730E-03	
2.737E 00	1.676E-01	4.804E-01	4.795E-01	6.880E-02	6.801E-03	
2.747E 00	1.689E-01	4.839E-01	4.793E-01	6.880E-02	6.750E-03	

9 14 67

UNCLASSIFIED

AEDC(ARO,INC.)ARNOLD AFS, TENNESSEE  
VON KARMAN GAS DYNAMICS FACILITY  
GAS DYNAMIC WIND TUNNEL,SUPERSONIC (A)

TOTAL GROUP(A)	STATIC GROUP(B)	MACH(B)	CONF(B)	X/D(B)	QINF(B)	RE(B)
25	49	3.990E 00	2	1.100E 01	1.004E 00	9.913E-02
ML	PTL/PO	QL	QL/QINF	PTL2/PO	PS/PO	
2.884E 00	2.034E-01	5.186E-01	5.164E-01	7.376E-02	6.598E-03	
2.874E 00	2.017E-01	5.187E-01	5.162E-01	7.376E-02	6.641E-03	
2.878E 00	2.023E-01	5.201E-01	5.164E-01	7.376E-02	6.626E-03	

9 14 67

UNCLASSIFIED

AEDC(ARO,INC.)ARNOLD AFS, TENNESSEE  
VON KARMAN GAS DYNAMICS FACILITY  
GAS DYNAMIC WIND TUNNEL,SUPERSONIC (A)

TOTAL GROUP(A)	STATIC GROUP(B)	MACH(B)	CONF(B)	X/D(B)	RE(B)
ML	ML/MINF	QL	QL/QINF	PTL2/PO	PS/PO
7.337E-01	1.130E-03	9.074E-03	9.073E-03	1.130E-03	7.903E-04
7.337E-01	1.130E-03	9.074E-03	9.073E-03	1.130E-03	7.903E-04
7.619E-01	1.130E-03	9.527E-03	9.527E-03	1.130E-03	7.697E-04

9 14 67

UNCLASSIFIED

AEDC(ARO,INC.)ARNOLD AFS, TENNESSEE  
VON KARMAN GAS DYNAMICS FACILITY  
GAS DYNAMIC WIND TUNNEL,SUPERSONIC (A)

TOTAL GROUP(A)	STATIC GROUP(B)	MACH(B)	CONF(B)	X/D(B)	RE(B)
ML	ML/MINF	QL	QL/QINF	PTL2/PO	PS/PO
1.618E 00	3.230E-01	1.111E-01	1.108E-01	7.699E-03	1.984E-03
1.622E 00	3.238E-01	1.113E-01	1.110E-01	7.699E-03	1.978E-03
1.608E 00	3.210E-01	1.109E-01	1.106E-01	7.699E-03	2.005E-03

9 14 67

UNCLASSIFIED

AEDC(ARO,INC.)ARNOLD AFS, TENNESSEE  
VON KARMAN GAS DYNAMICS FACILITY  
GAS DYNAMIC WIND TUNNEL,SUPERSONIC (A)

TOTAL GROUP(A)	STATIC GROUP(B)	MACH(B)	CONF(B)	X/D(B)	RE(B)
ML	ML/MINF	QL	QL/QINF	PTL2/PO	PS/PO
2.300E 00	4.590E-01	1.684E-01	1.685E-01	1.090E-02	1.494E-03
2.288E 00	4.567E-01	1.678E-01	1.684E-01	1.090E-02	1.509E-03
2.290E 00	4.571E-01	1.687E-01	1.684E-01	1.090E-02	1.506E-03



9 14 67

UNCLASSIFIED

AEDC(ARO,INC.)ARNOLD AFS, TENNESSEE  
 VON KARMAN GAS DYNAMICS FACILITY  
 GAS DYNAMIC WIND TUNNEL\*SUPERSONIC (A)

TOTAL GROUP(A)	STATIC GROUP(B)	MACH(B)	CONF(B)	X/D(B)	QINF(B)	RE(B)
37	44	5.010E 00	2	3.006E 00	1.002E 00	1.345E-01
ML	PTL/PO	QL	QL/QINF	PTL2/PO	PS/PO	
2.376E 00	4.742E-01	2.208E-01	2.204E-01	1.419E-02	1.830E-03	
2.368E 00	4.727E-01	2.205E-01	2.204E-01	1.419E-02	1.843E-03	
2.366E 00	4.723E-01	2.214E-01	2.204E-01	1.419E-02	1.846E-03	

9 14 67

UNCLASSIFIED

AEDC(ARO,INC.)ARNOLD AFS, TENNESSEE  
 VON KARMAN GAS DYNAMICS FACILITY  
 GAS DYNAMIC WIND TUNNEL\*SUPERSONIC (A)

TOTAL GROUP(A)	STATIC GROUP(B)	MACH(B)	CONF(B)	X/D(B)	QINF(B)	RE(B)
36	45	5.010E 00	2	5.000E 00	9.967E-01	1.338E-01
ML	PTL/PO	QL	QL/QINF	PTL2/PO	PS/PO	
2.741E 00	5.471E-01	3.096E-01	3.106E-01	1.968E-02	1.938E-03	
2.741E 00	5.471E-01	3.096E-01	3.106E-01	1.968E-02	1.938E-03	
2.731E 00	5.452E-01	3.090E-01	3.108E-01	1.968E-02	1.953E-03	

9 14 67

UNCLASSIFIED

AEDC(ARO,INC.)ARNOLD AFS, TENNESSEE  
 VON KARMAN GAS DYNAMICS FACILITY  
 GAS DYNAMIC WIND TUNNEL\*SUPERSONIC (A)

TOTAL GROUP(A)	STATIC GROUP(B)	MACH(B)	CONF(B)	X/D(B)	QINF(B)	RE(B)
35	46	5.010E 00	2	7.000E 00	9.951E-01	1.336E-01
ML	PTL/PO	QL	QL/QINF	PTL2/PO	PS/PO	
3.026E 00	6.041E-01	3.683E-01	3.701E-01	2.325E-02	1.895E-03	
3.021E 00	6.029E-01	3.699E-01	3.702E-01	2.325E-02	1.903E-03	
3.022E 00	6.033E-01	3.683E-01	3.701E-01	2.325E-02	1.900E-03	

9 14 67

UNCLASSIFIED

AEDC(ARO,INC.)ARNOLD AFS, TENNESSEE  
 VON KARMAN GAS DYNAMICS FACILITY  
 GAS DYNAMIC WIND TUNNEL+SUPERSONIC (A)

TOTAL GROUP (A)	STATIC GROUP (B)	MACH (B)	CONF (B)	X/D (B)	QINF (B)	RE (B)
34	47	5.010E 00	2	9.006E 00	9.980E-01	1.340E-01
ML	PTL/PO	QL	QL/QINF	PTL2/PO	PS/PO	
3.220E 00	6.427E-01	4.123E-01	4.131E-01	2.583E-02	1.869E-03	
3.196E 00	6.380E-01	4.119E-01	4.130E-01	2.583E-02	1.895E-03	
3.196E 00	6.380E-01	4.119E-01	4.131E-01	2.583E-02	1.896E-03	

9 14 67

UNCLASSIFIED

AEDC(ARO,INC.)ARNOLD AFS, TENNESSEE  
 VON KARMAN GAS DYNAMICS FACILITY  
 GAS DYNAMIC WIND TUNNEL+SUPERSONIC (A)

TOTAL GROUP (A)	STATIC GROUP (B)	MACH (B)	CONF (B)	X/D (B)	QINF (B)	RE (B)
33	48	5.010E 00	2	1.100E 01	1.007E 00	1.352E-01
ML	PTL/PO	QL	QL/QINF	PTL2/PO	PS/PO	
3.353E 00	6.692E-01	4.396E-01	4.365E-01	2.721E-02	1.821E-03	
3.331E 00	6.649E-01	4.401E-01	4.365E-01	2.721E-02	1.844E-03	
3.347E 00	6.680E-01	4.380E-01	4.366E-01	2.721E-02	1.828E-03	

f. Wake Pressures (Configuration 2)

SAMPLE TOTAL PRESSURE PRINT-OUT

P 1	P 2	P 3	P 4	P 5	P 6	P 7	P 8
P 10	P 11	P 12	P 13	P 14	P 9		
P 15	P 16	P 17	P 18	P 19	P 20	P 21	P 22
P 24	P 25	P 26	P 27	P 28	P 29	P 30	P 31
	P 23						

9 15 67

UNCLASSIFIED

AECIAR, INC.) AMNOLD AFS, TENNESSEE  
VUN KATHAN GAS DYNAMICS FACILITY  
GAS DYNAMIC WIND TUNNEL SUPERSONIC (A)

PAGE NO.	UNE	MACH	A/D	RE/IN	TT			
GROUP	CUMF	PINF	QINF	RE/IN	TT			
7	113	2	5.010	0.497				
6VP	PO	IO	PI	PI	PI			
2	3.045E 01	5.010E 02	5.689E-02	9.995E-01	1.349E-01	5.510E 02	5.550E 02	
	PI	PI	PB2	PB1/PINF	PB2/PINF			
	5.841E-03	1.517E-02	1.391E-02	2.665E-01	2.446E-01			
	1.999E 00	1.873E 00	1.801E 00	1.966E 00	2.586E 00	2.385E 00	3.881E-01	0 P1-P9
	3.514E 01	3.293E 01	3.166E 01	3.456E 01	4.547E 01	4.193E 01	2.285E 01	6.822E 00
	6.564E-02	6.152E-02	5.914E-02	6.457E-02	8.494E-02	7.832E-02	4.269E-02	1.275E-02
3	3.049E 01	5.010E 02	5.696E-02	1.001E 00	1.351E-01	5.510E 02	5.555E 02	
	PI	PI	PB2	PB1/PINF	PB2/PINF			
	8.210E-03	1.612E-02	1.454E-02	2.029E-01	2.553E-01			
	1.477E-01	5.970E-02	4.156E-02	1.743E 00	1.944E 00	2.345E-01	0	0 P1-P9
	2.592E 00	1.048E 00	7.296E-01	3.061E 01	3.413E 01	4.116E 00	0	0 P/PINF
	4.843E-03	1.958E-03	1.363E-03	5.718E-02	6.376E-02	7.690E-03	0	0 P/PO
4	3.042E 01	5.010E 02	5.683E-02	9.985E-01	1.348E-01	5.510E 02	5.555E 02	
	PI	PI	PB2	PB1/PINF	PB2/PINF			
	8.999E-03	1.501E-02	1.470E-02	2.041E-01	2.586E-01			
	1.800E 00	1.750E 00	1.605E 00	2.083E 00	1.620E 00	4.790E-01	8.892E-01	0 P1-P9
	3.167E 01	3.079E 01	2.824E 01	3.066E 01	2.851E 01	8.429E 00	1.565E 01	0 P/PINF
	5.916E-02	5.753E-02	5.276E-02	6.849E-02	5.326E-02	1.575E-02	2.923E-02	2.883E-02
5	3.058E 01	5.010E 02	5.714E-02	1.004E 00	1.355E-01	5.505E 02	5.555E 02	
	PI	PI	PB2	PB1/PINF	PB2/PINF			
	1.074E-02	1.517E-02	1.548E-02	2.655E-01	2.709E-01			
	4.027E-02	4.174E-02	3.790E-02	4.693E-02	1.553E-01	6.754E-01	9.066E-01	5.441E-01
	7.048E-01	7.314E-01	6.633E-01	8.213E-01	2.718E 00	1.182E 01	1.587E 01	9.522E 00
	1.317E-03	1.366E-03	1.239E-03	1.534E-03	5.078E-03	2.208E-02	2.964E-02	1.779E-02
6	3.073E 01	5.595E 02	5.740E-02	1.009E 00	1.367E-01	5.505E 02	5.555E 02	
	PI	PI	PB2	PB1/PINF	PB2/PINF			
	1.153E-02	1.517E-02	1.548E-02	2.642E-01	2.697E-01			
	0	2.399E-01	0	0	0	0	0	0 P1-P9
	0	4.179E 00	0	0	0	0	0	0 P/PINF
	0	7.808E-03	0	0	0	0	0	0 P/PO

9 15 67

UNCLASSIFIED

AEDC(AW, INC.) WIND TUNNEL AFS, TENNESSEE  
 VON KARMAN GAS DYNAMICS FACILITY  
 GAS DYNAMIC WIND TUNNEL SUPERSONIC (A)

PAGE NO.	ONE	MUN	GROUP	CUNF	MACH	X/D	TT
7	11	TO	2	5.010	1.000		
GVP	PO	PI	PH1	PH2	PH1/PINF	PH2/PINF	
2	3.055E-01	5.590E-02	5.709E-02	1.003E-00	1.301E-01	5.590E-02	5.525E-02
	1.247E-02	1.240E-02	1.407E-02	2.242E-01	2.465E-01	1.088E-00	5.801E-01
	1.484E-00	1.827E-00	1.950E-00	2.401E-00	2.313E-00	1.906E-01	1.016E-01
	3.301E-01	3.201E-01	3.417E-01	5.083E-01	4.060E-01	3.034E-01	1.899E-02
	6.168E-02	5.949E-02	6.384E-02	9.495E-02	7.585E-02	5.667E-02	1.899E-02
3	3.051E-01	5.590E-02	5.700E-02	1.002E-00	1.359E-01	5.585E-02	5.510E-02
	1.247E-02	1.185E-02	1.329E-02	2.074E-01	2.331E-01	3.035E-01	0
	2.742E-01	3.014E-01	2.822E-01	1.237E-00	2.597E-00	5.325E-00	0
	4.810E-00	6.334E-00	4.950E-00	2.170E-01	4.557E-01	9.948E-03	0
	8.985E-03	1.184E-02	9.247E-03	4.054E-02	8.512E-02	0	0
4	3.051E-01	5.590E-02	5.700E-02	1.002E-00	1.359E-01	5.585E-02	5.505E-02
	1.247E-02	1.122E-02	1.251E-02	1.988E-01	2.194E-01	6.387E-01	6.914E-01
	1.648E-00	1.665E-00	2.180E-00	2.033E-00	7.995E-01	1.120E-01	1.213E-01
	2.890E-01	2.921E-01	3.825E-01	3.566E-01	1.403E-01	2.093E-02	2.266E-02
	5.399E-02	5.457E-02	7.145E-02	6.662E-02	2.620E-02	5.580E-02	5.500E-02
5	3.058E-01	5.590E-02	5.714E-02	1.004E-00	1.362E-01	5.580E-02	5.500E-02
	1.216E-02	1.027E-02	1.188E-02	1.797E-01	2.080E-01	6.470E-01	6.454E-01
	2.228E-01	1.351E-01	1.097E-01	3.035E-01	5.212E-01	1.132E-01	1.130E-01
	3.900E-00	2.365E-00	1.920E-00	5.312E-00	9.122E-00	2.115E-02	2.110E-02
	7.286E-03	4.418E-03	3.587E-03	9.924E-03	1.704E-02	1.838E-02	5.580E-02
6	3.056E-01	5.590E-02	5.709E-02	1.003E-00	1.361E-01	5.580E-02	5.500E-02
	1.153E-02	1.011E-02	1.110E-02	1.771E-01	1.944E-01	0	0
	0	5.241E-01	0	0	0	0	0
	0	9.180E-00	0	0	0	0	0
	0	1.715E-02	0	0	0	0	0

UNCLASSIFIED

AEDC (ARO, INC.) AMNOLD AFS, TENNESSEE  
VON KARMAN GAS DYNAMICS FACILITY  
GAS DYNAMIC WIND TUNNEL SUPERSONIC (A)

PAGE NO.	UNE	CONF	MACH	X/D	RE/IN	TT	RE/IN	TT
NUM	GROUP	2	5.010	2.000				
GVP	PO	IO	PINF	WINF				
2	3.055E 01	5.785E 02	5.705E-02	1.003E 00	1.363E-01		5.590E 02	5.705E 02
	PI	PB1	Pd2	PB1/PINF	Pd2/PINF			
	1.089E-02	9.322E-03	1.063E-02	1.833E-01	1.863E-01	6.724E-01	1.002E 00	7.926E-01
	1.979E 00	2.549E 00	2.275E 00	1.932E 00	1.583E 00	1.178E 01	1.756E 01	1.389E 01
	3.468E 01	4.466E 01	3.985E 01	3.384E 01	2.774E 01	2.201E-02	3.281E-02	2.594E-02
	6.478E-02	8.343E-02	7.445E-02	6.322E-02	5.182E-02			
3	3.062E 01	5.585E 02	5.720E-02	1.005E 00	1.365E-01		5.590E 02	5.705E 02
	PI	PB1	PB2	PB1/PINF	Pd2/PINF			
	1.058E-02	9.164E-03	9.694E-03	1.602E-01	1.695E-01	9.713E-01	0	0
	5.460E-01	4.303E-01	3.629E-01	1.105E 00	1.992E 00	1.698E 01	0	0
	9.545E 00	7.524E 00	6.345E 00	1.932E 01	3.483E 01	3.172E-02	0	0
	1.783E-02	1.406E-02	1.185E-02	3.610E-02	6.507E-02			
4	3.077E 01	5.585E 02	5.748E-02	1.010E 00	1.372E-01		5.585E 02	5.705E 02
	PI	PB1	PB2	PB1/PINF	Pd2/PINF			
	1.026E-02	9.006E-03	9.694E-03	1.567E-01	1.687E-01	5.961E-01	6.282E-01	5.851E-01
	1.880E 00	1.759E 00	2.055E 00	1.336E 00	6.879E-01	1.037E 01	1.093E 01	1.018E 01
	3.272E 01	3.060E 01	3.576E 01	2.324E 01	1.197E 01	1.937E-02	2.042E-02	1.902E-02
	6.112E-02	5.718E-02	6.680E-02	4.342E-02	2.236E-02			
5	3.062E 01	5.585E 02	5.720E-02	1.005E 00	1.365E-01		5.585E 02	5.700E 02
	PI	PB1	PB2	PB1/PINF	Pd2/PINF			
	1.010E-02	8.532E-03	9.694E-03	1.492E-01	1.695E-01	5.237E-01	5.793E-01	5.888E-01
	3.391E-01	3.198E-01	3.697E-01	7.794E-01	9.017E-01	9.156E 00	1.013E 01	1.029E 01
	5.928E 00	5.587E 00	6.465E 00	1.363E 01	1.577E 01	1.710E-02	1.892E-02	1.923E-02
	1.107E-02	1.044E-02	1.208E-02	2.546E-02	2.945E-02			
6	3.065E 01	5.585E 02	5.725E-02	1.006E 00	1.367E-01		5.580E 02	5.700E 02
	PI	PB1	PB2	PB1/PINF	Pd2/PINF			
	9.946E-03	8.690E-03	9.694E-03	1.518E-01	1.673E-01	0	0	0
	0	8.174E-01	0	0	0	0	0	0
	0	1.424E 01	0	0	0	0	0	0
	0	2.669E-02	0	0	0	0	0	0







9 15 67

UNCLASSIFIED

AEDC(ARO, INC.) AMNOLD AFS, TENNESSEE  
 VON KARMAN GAS DYNAMICS FACILITY  
 GAS DYNAMIC WIND TUNNEL, SUPERSONIC (A)

PAGE NO.	ONE	GROUP	CONF	MACH	X/D	RE/IN	TT	5.605E 02	5.655E 02
RUN	11d	2	5.010	6.000					
GVP	PO	10	PINF	WINF					
2	3.073E 01	5.585E 02	5.742E-02	1.009E 00	1.371E-01				
	PI	PB1	PB2	PB1/PINF	PB2/PINF				
	8.210E-03	8.216E-03	8.266E-03	1.431E-01	1.443E-01				
	1.488E 00	1.413E 00	1.365E 00	1.338E 00	5.993E-01			1.840E 00	3.695E-01
	2.592E 01	2.461E 01	2.377E 01	2.330E 01	1.045E 01			3.204E 01	6.436E 00
	4.843E-02	4.597E-02	4.441E-02	4.352E-02	1.952E-02			5.986E-02	1.202E-02
3	3.077E 01	5.585E 02	5.748E-02	1.010E 00	1.372E-01				
	PI	PB1	PB2	PB1/PINF	PB2/PINF				
	8.210E-03	8.532E-03	8.286E-03	1.484E-01	1.442E-01				
	9.802E-01	7.709E-01	7.286E-01	1.853E 00	7.437E-01			1.519E 00	0
	1.705E 01	1.341E 01	1.269E 01	3.224E 01	1.294E 01			2.643E 01	0
	3.186E-02	2.506E-02	2.368E-02	6.024E-02	2.417E-02			4.937E-02	0
4	3.068E 01	5.590E 02	5.731E-02	1.007E 00	1.366E-01				
	PI	PB1	PB2	PB1/PINF	PB2/PINF				
	8.210E-03	8.532E-03	8.286E-03	1.489E-01	1.446E-01				
	1.364E 00	1.284E 00	1.227E 00	1.655E 00	1.740E 00			1.112E 00	1.220E 00
	2.381E 01	2.250E 01	2.140E 01	2.897E 01	3.036E 01			1.939E 01	2.128E 01
	4.448E-02	4.203E-02	3.998E-02	5.393E-02	5.671E-02			3.623E-02	3.975E-02
5	3.070E 01	5.590E 02	5.734E-02	1.008E 00	1.367E-01				
	PI	PB1	PB2	PB1/PINF	PB2/PINF				
	7.894E-03	8.532E-03	8.443E-03	1.488E-01	1.472E-01				
	6.728E-01	6.960E-01	7.821E-01	8.878E-01	1.031E 00			1.174E 00	1.260E 00
	1.173E 01	1.198E 01	1.364E 01	1.548E 01	1.799E 01			2.048E 01	2.198E 01
	2.192E-02	2.235E-02	2.548E-02	2.892E-02	3.360E-02			3.826E-02	4.106E-02
6	3.073E 01	5.590E 02	5.740E-02	1.009E 00	1.365E-01				
	PI	PB1	PB2	PB1/PINF	PB2/PINF				
	7.894E-03	8.532E-03	8.443E-03	1.486E-01	1.471E-01				
	0	1.111E 00	0	0	0			0	0
	0	1.936E 01	0	0	0			0	0
	0	3.816E-02	0	0	0			0	0

9 15 67

UNCLASSIFIED

AEDCLARK, INC.) ARNOLD AFS, TENNESSEE  
 VON KARMAN GAS DYNAMICS FACILITY  
 GAS DYNAMIC WIND TUNNEL SUPERSONIC (A)

PAGE NO.	UNE	RUN	GROUP	CUNF	MACH	X/D	GVP	PO	IO	PINF	GINF	ME/IN	TY
2	3.067E-01	5.600E-02	PB1	5.730E-02	1.007E-00	1.362E-01	5.630E-02	5.560E-02					
			PB2										
			PB1/PINF										
			PB2/PINF										
7.894E-03	1.011E-02	8.443E-03	1.765E-01	1.473E-01	3.670E-01	1.011E-00	2.932E-01	0	P1-P9				
1.416E-00	1.384E-00	1.343E-00	1.864E-00	4.702E-01	6.404E-00	3.160E-01	5.117E-00	0	P/PINF				
2.472E-01	2.425E-01	2.344E-01	3.253E-01	8.206E-00	6.404E-00	5.903E-02	9.559E-03	0	P/PO				
4.617E-02	4.530E-02	4.379E-02	6.078E-02	1.533E-02	1.196E-02								
3	3.078E-01	5.010E-02	PB1	5.750E-02	1.010E-00	1.364E-01	5.640E-02	5.640E-02					
			PB2										
			PB1/PINF										
			PB2/PINF										
7.894E-03	8.532E-03	8.443E-03	1.484E-01	1.468E-01	1.552E-00	0	0	0	P1-P9				
1.080E-00	8.474E-01	7.876E-01	1.814E-00	1.825E-00	1.552E-00	0	0	0	P/PINF				
1.874E-01	1.474E-01	1.370E-01	3.163E-01	3.174E-01	2.699E-01	0	0	0	P/PO				
3.508E-02	2.754E-02	2.559E-02	5.904E-02	5.930E-02	5.041E-02	0	0	0					
4	3.084E-01	5.010E-02	PB1	5.761E-02	1.012E-00	1.366E-01	5.645E-02	5.640E-02					
			PB2										
			PB1/PINF										
			PB2/PINF										
7.894E-03	8.532E-03	8.443E-03	1.481E-01	1.466E-01	5.876E-01	1.161E-00	1.219E-00	0	P1-P9				
1.317E-00	1.292E-00	1.732E-00	1.816E-00	1.747E-00	1.020E-01	2.015E-01	2.116E-01	0	P/PINF				
2.286E-01	2.242E-01	3.007E-01	3.153E-01	3.032E-01	1.905E-02	3.765E-02	3.952E-02	0	P/PO				
4.270E-02	4.189E-02	5.618E-02	5.890E-02	5.605E-02									
5	3.066E-01	5.010E-02	PB1	5.727E-02	1.006E-00	1.358E-01	5.645E-02	5.640E-02					
			PB2										
			PB1/PINF										
			PB2/PINF										
7.894E-03	8.532E-03	8.443E-03	1.490E-01	1.474E-01	1.134E-00	1.180E-00	1.283E-00	0	P1-P9				
7.293E-01	7.426E-01	8.159E-01	9.113E-01	1.019E-00	1.981E-01	2.060E-01	2.241E-01	0	P/PINF				
1.273E-01	1.297E-01	1.425E-01	1.591E-01	1.779E-01	3.701E-02	3.849E-02	4.186E-02	0	P/PO				
2.374E-02	2.422E-02	2.661E-02	2.973E-02	3.324E-02									
6	3.044E-01	5.010E-02	PB1	5.686E-02	9.990E-01	1.348E-01	5.645E-02	5.640E-02					
			PB2										
			PB1/PINF										
			PB2/PINF										
7.736E-03	8.090E-03	8.443E-03	1.528E-01	1.485E-01	0	0	0	0	P1-P9				
0	1.091E-00	0	0	0	0	0	0	0	P/PINF				
0	1.920E-01	0	0	0	0	0	0	0	P/PO				
0	3.586E-02	0	0	0	0	0	0	0					

9 15 67

UNCLASSIFIED

AEC (ARO, INC.) ARNOLD AFS, TENNESSEE  
 VON KARMAN GAS DYNAMICS FACILITY  
 GAS DYNAMIC WIND TUNNEL, SUPERSONIC (A)

PAGE NO.	ONE	CONF	MACH	X/D	RE/IN	TT
GROUP	CONF	MACH	X/D	RE/IN	TT	
120	2	5.010	9.006			
GVP	PU	TO	PINF	QINF		
2	3.046E 01	5.010E 02	5.090E-02	9.998E-01	1.349E-01	5.615E 02 5.580E 02
	PI	PB1	PB2	PB1/PINF	PB2/PINF	
	7.894E-03	9.954E-03	8.443E-03	1.749E-01	1.484E-01	
	1.833E 00	1.805E 00	1.795E 00	1.791E 00	3.727E-01	3.175E-01 2.362E-01
	3.222E 01	3.172E 01	3.155E 01	3.148E 01	6.550E 00	5.581E 00 4.152E 00
	6.019E-02	5.926E-02	5.895E-02	5.881E-02	1.224E-02	5.945E-02 7.756E-03
3	3.047E 01	5.010E 02	5.092E-02	1.000E 00	1.350E-01	5.610E 02 5.580E 02
	PI	PB1	PB2	PB1/PINF	PB2/PINF	
	7.578E-03	8.090E-03	8.286E-03	1.527E-01	1.456E-01	
	1.150E 00	9.217E-01	8.434E-01	1.807E 00	1.794E 00	1.576E 00 0
	2.021E 01	1.019E 01	1.482E 01	3.175E 01	3.152E 01	2.769E 01 0
	3.776E-02	3.025E-02	2.769E-02	5.931E-02	5.889E-02	5.173E-02 0
4	3.042E 01	5.010E 02	5.083E-02	9.985E-01	1.348E-01	5.610E 02 5.575E 02
	PI	PB1	PB2	PB1/PINF	PB2/PINF	
	7.578E-03	8.090E-03	8.443E-03	1.529E-01	1.486E-01	
	1.705E 00	1.765E 00	1.762E 00	1.765E 00	1.670E 00	1.314E 00 1.189E 00
	3.000E 01	3.106E 01	3.100E 01	3.105E 01	2.938E 01	2.313E 01 2.092E 01
	5.604E-02	5.002E-02	5.791E-02	5.801E-02	5.489E-02	4.320E-02 3.909E-02
5	3.043E 01	5.015E 02	5.084E-02	9.987E-01	1.346E-01	5.610E 02 5.575E 02
	PI	PB1	PB2	PB1/PINF	PB2/PINF	
	7.736E-03	8.048E-03	8.443E-03	1.557E-01	1.485E-01	
	8.022E-01	8.117E-01	8.812E-01	9.655E-01	1.035E 00	1.122E 00 1.329E 00
	1.411E 01	1.428E 01	1.550E 01	1.699E 01	1.820E 01	1.974E 01 2.338E 01
	2.637E-02	2.069E-02	2.896E-02	3.173E-02	3.400E-02	3.687E-02 4.367E-02
6	3.058E 01	5.015E 02	5.714E-02	1.004E 00	1.353E-01	5.610E 02 5.575E 02
	PI	PB1	PB2	PB1/PINF	PB2/PINF	
	7.578E-03	8.048E-03	8.443E-03	1.549E-01	1.478E-01	
	0	1.095E 00	0	0	0	0 0 0
	0	1.916E 01	0	0	0	0 0 0
	0	3.579E-02	0	0	0	0 0 0

9 15 67

UNCLASSIFIED

AEDICARO, INC., JARNOLO AFS, TENNESSEE  
 VON KARMAN GAS DYNAMICS FACILITY  
 GAS DYNAMIC WIND TUNNEL-SUPERSONIC (A)

PAGE NO.	UNE	GROUP	CUNF	MACH	X/D	RE/IN	TT
RUN	PO	IO	PINF	UINF	UINF	RE/IN	TT
2	3.050E-01	5.615E-02	5.697E-02	1.001E-00	11.000	1.349E-01	5.520E-02
	PI	PB1	PB2	PB1/PINF		PB2/PINF	
	7.736E-03	1.011E-02	8.443E-03	1.775E-01		1.482E-01	
	1.816E-00	1.427E-00	1.840E-00	1.853E-00		3.026E-01	0 P1-P9
	3.186E-01	3.207E-01	3.230E-01	3.253E-01		5.311E-00	0 P/PINF
	5.955E-02	5.990E-02	6.034E-02	6.076E-02		9.921E-03	0 P/PO
3	3.051E-01	5.615E-02	5.699E-02	1.001E-00		1.350E-01	5.560E-02
	PI	PB1	PB2	PB1/PINF		PB2/PINF	
	7.420E-03	8.690E-03	8.286E-03	1.525E-01		1.454E-01	
	1.194E-00	9.752E-01	8.891E-01	1.778E-00		1.853E-00	0 P1-P9
	2.094E-01	1.711E-01	1.560E-01	3.120E-01		3.251E-01	0 P/PINF
	3.912E-02	3.197E-02	2.914E-02	5.828E-02		6.074E-02	0 P/PO
4	3.046E-01	5.615E-02	5.690E-02	9.998E-01		1.348E-01	5.560E-02
	PI	PB1	PB2	PB1/PINF		PB2/PINF	
	6.947E-03	8.532E-03	8.286E-03	1.499E-01		1.456E-01	
	1.680E-00	1.719E-00	1.718E-00	1.711E-00		1.667E-00	0 P1-P9
	2.952E-01	3.020E-01	3.018E-01	3.007E-01		2.930E-01	0 P/PINF
	5.515E-02	5.642E-02	5.639E-02	5.618E-02		5.474E-02	0 P/PO
5	3.044E-01	5.615E-02	5.687E-02	9.992E-01		1.347E-01	5.520E-02
	PI	PB1	PB2	PB1/PINF		PB2/PINF	
	6.789E-03	8.690E-03	8.286E-03	1.528E-01		1.457E-01	
	8.446E-01	8.416E-01	9.253E-01	9.874E-01		1.046E-00	0 P1-P9
	1.485E-01	1.480E-01	1.627E-01	1.736E-01		1.839E-01	0 P/PINF
	2.774E-02	2.764E-02	3.039E-02	3.244E-02		3.435E-02	0 P/PO
6	3.045E-01	5.615E-02	5.689E-02	9.995E-01		1.347E-01	5.520E-02
	PI	PB1	PB2	PB1/PINF		PB2/PINF	
	7.105E-03	8.690E-03	8.443E-03	1.528E-01		1.448E-01	
	0	1.091E-00	0	0		0	0 P1-P9
	0	1.919E-01	0	0		0	0 P/PINF
	0	3.584E-02	0	0		0	0 P/PO

Contracts

9 15 67

UNCLASSIFIED

AEDCIAMU, INC.) AMNOLD AFS, TENNESSEE  
 VON KARMAN GAS DYNAMICS FACILITY  
 GAS DYNAMIC WIND TUNNEL/SUPERSONIC (A)

PAGE NO.	ONE	GROUP	CUNF	MACH	X/D	RE/IN	TT
RUN	7	122	2	3.990	.503		
GVP	PO	IO	PINF	QINF	RE/IN	TT	
2	1.359E-01	5.600E-02	9.071E-02	1.011E-00	9.952E-02	5.405E-02	5.470E-02
	PI	PB1	PB2	PB1/PINF	PB2/PINF		
	1.610E-02	2.702E-04	2.298E-02	2.979E-01	2.534E-01		
	1.818E-00	1.895E-00	1.994E-00	2.144E-00	2.828E-00	1.511E-00	6.267E-01
	2.004E-01	2.084E-01	2.198E-01	2.363E-01	3.118E-01	1.666E-01	6.909E-00
	1.338E-01	1.394E-01	1.467E-01	1.577E-01	2.081E-01	1.112E-01	4.611E-02
3	1.357E-01	5.600E-02	9.060E-02	1.010E-00	9.941E-02	5.410E-02	5.395E-02
	PI	PB1	PB2	PB1/PINF	PB2/PINF		
	2.289E-02	3.397E-04	2.971E-02	3.749E-01	3.279E-01		
	7.533E-02	5.185E-02	4.920E-02	1.757E-00	2.177E-00	4.091E-01	0
	8.315E-01	5.722E-01	5.431E-01	1.939E-01	2.403E-01	4.516E-00	0
	5.550E-03	3.820E-03	3.625E-03	1.294E-01	1.604E-01	3.014E-02	0
4	1.358E-01	5.600E-02	9.065E-02	1.010E-00	9.946E-02	5.405E-02	5.395E-02
	PI	PB1	PB2	PB1/PINF	PB2/PINF		
	2.510E-02	3.302E-02	3.018E-02	3.643E-01	3.329E-01		
	1.756E-00	1.693E-00	1.823E-00	2.441E-00	1.153E-00	9.421E-01	1.019E-00
	1.937E-01	1.867E-01	2.011E-01	2.693E-01	1.272E-01	1.039E-01	1.124E-01
	1.293E-01	1.246E-01	1.342E-01	1.797E-01	8.491E-02	6.936E-02	7.499E-02
5	1.358E-01	5.600E-02	9.065E-02	1.010E-00	9.946E-02	5.400E-02	5.480E-02
	PI	PB1	PB2	PB1/PINF	PB2/PINF		
	2.873E-02	3.523E-02	3.049E-02	3.887E-01	3.363E-01		
	5.227E-02	5.546E-02	5.175E-02	6.225E-02	2.783E-01	8.296E-01	8.747E-01
	5.766E-01	6.118E-01	5.709E-01	6.867E-01	3.070E-00	9.151E-00	9.649E-00
	3.849E-03	4.083E-03	3.810E-03	4.584E-03	2.049E-02	6.108E-02	6.440E-02
6	1.359E-01	5.600E-02	9.071E-02	1.011E-00	9.952E-02	5.400E-02	5.480E-02
	PI	PB1	PB2	PB1/PINF	PB2/PINF		
	2.937E-02	3.397E-02	3.080E-02	3.745E-01	3.396E-01		
	0	3.031E-01	0	0	0	0	0
	0	3.341E-00	0	0	0	0	0
	0	2.230E-02	0	0	0	0	0

9 15 67

UNCLASSIFIED

AEDC (ARL, INC.) AMNOLD AFS, TENNESSEE  
VON KARMAN GAS DYNAMICS FACILITY  
GAS DYNAMIC WIND TUNNEL SUPERSONIC (A)

PAGE NO.	UNE	GROUP	CONF	MACH	X/D	TT
RUN		123	2	3.990	1.000	
GRP	PO	IO	PINF	UINF	RE/IN	
2	1.360E-01	5.000E-02	9.076E-02	1.011E-00	9.958E-02	5.550E-02 5.570E-02
	PI	PB1	PA2	PB1/PINF	PA2/PINF	
	3.000E-02	3.002E-02	2.814E-02	3.308E-01	3.101E-01	
	1.918E-00	2.263E-00	2.859E-00	2.357E-00	1.976E-00	1.636E-00 7.454E-01 0 P1-P9
	2.113E-01	2.494E-01	3.149E-01	2.604E-01	2.178E-01	1.802E-01 8.213E-00 0 P/PINF
	1.411E-01	1.664E-01	2.102E-01	1.740E-01	1.453E-01	1.203E-01 5.482E-02 0 P/PO
3	1.360E-01	5.000E-02	9.076E-02	1.011E-00	9.958E-02	5.565E-02 5.380E-02
	PI	PB1	PA2	PB1/PINF	PA2/PINF	
	2.905E-02	2.870E-02	2.486E-02	2.942E-01	2.739E-01	
	4.272E-01	4.813E-01	2.568E-01	1.251E-00	2.487E-00	5.092E-01 0 0 P1-P9
	4.707E-00	5.682E-00	2.830E-00	1.390E-01	2.740E-01	5.611E-00 0 0 P/PINF
	3.142E-02	3.392E-02	1.889E-02	9.276E-02	1.829E-01	3.745E-02 0 P/PO
4	1.358E-01	5.000E-02	9.065E-02	1.010E-00	9.946E-02	5.570E-02 5.365E-02
	PI	PB1	PA2	PB1/PINF	PA2/PINF	
	2.763E-02	2.496E-02	2.408E-02	2.754E-01	2.656E-01	
	1.640E-00	1.687E-00	2.250E-00	1.703E-00	8.593E-01	1.030E-00 6.073E-01 0 P1-P9
	1.809E-01	1.851E-01	2.482E-01	1.878E-01	9.479E-00	1.136E-01 6.700E-00 0 P/PINF
	1.207E-01	1.242E-01	1.657E-01	1.254E-01	6.327E-02	8.126E-02 4.472E-02 0 P/PO
5	1.360E-01	5.000E-02	9.076E-02	1.011E-00	9.958E-02	5.570E-02 5.430E-02
	PI	PB1	PA2	PB1/PINF	PA2/PINF	
	2.321E-02	2.307E-02	2.267E-02	2.542E-01	2.499E-01	
	1.019E-01	8.452E-02	1.076E-01	6.548E-01	7.554E-01	8.565E-01 9.811E-01 9.728E-01 0 P1-P9
	1.122E-00	9.313E-01	1.186E-00	7.214E-00	8.323E-00	9.437E-00 1.081E-01 1.072E-01 0 P/PINF
	7.491E-03	6.210E-03	7.916E-03	4.815E-02	5.555E-02	6.299E-02 7.216E-02 7.154E-02 0 P/PO
6	1.362E-01	5.000E-02	9.092E-02	1.013E-00	9.975E-02	5.570E-02 5.430E-02
	PI	PB1	PA2	PB1/PINF	PA2/PINF	
	2.258E-02	2.307E-02	2.205E-02	2.537E-01	2.425E-01	
	0	8.016E-01	0	0	0	0 0 0 0 P1-P9
	0	8.817E-00	0	0	0	0 0 0 0 P/PINF
	0	5.885E-02	0	0	0	0 0 0 0 P/PO

9 15 67

UNCLASSIFIED

AEDC (ARO, INC.) ARNOLD AFS, TENNESSEE  
VON KARMAN GAS DYNAMICS FACILITY  
GAS DYNAMIC WIND TUNNEL SUPERSONIC (A)

PAGE NO.	ONE	GROUP		CUMF	MACH	X/D	TT	
HUN	124	TO	FROM	2	3.990	2.000	RE/IN	TT
GVP	PU	PI	PH2	PINF	QINF	RE/IN	PH2/PINF	TT
2	1.360E 01	5.000E 02	9.076E-02	1.011E 00	9.958E-02	5.755E 02	5.835E 02	
		PI	PH2	PINF	QINF			
	2.147E-02	2.254E-02	2.158E-02	2.490E-01	2.377E-01			
	2.351E 00	2.114E 00	1.893E 00	1.619E 00	1.387E 00	9.505E-01	8.961E-01	0 P1-P9
	2.590E 01	2.324E 01	2.086E 01	1.784E 01	1.528E 01	1.047E 01	9.874E 00	0 P/PINF
	1.729E-01	1.555E-01	1.392E-01	1.191E-01	1.020E-01	6.990E-02	6.590E-02	0 P/PO
3	1.360E 01	5.000E 02	9.076E-02	1.011E 00	9.958E-02	5.770E 02	5.850E 02	
		PI	PH2	PINF	QINF			
	2.052E-02	2.196E-02	2.048E-02	2.420E-01	2.257E-01			
	1.154E 00	8.337E-01	6.608E-01	8.061E-01	1.686E 00	8.426E-01	0	0 P1-P9
	1.272E 01	9.180E 00	7.281E 00	8.882E 00	1.857E 01	9.284E 00	0	0 P/PINF
	8.489E-02	6.131E-02	4.860E-02	5.928E-02	1.240E-01	6.197E-02	0	0 P/PO
4	1.359E 01	5.000E 02	9.071E-02	1.011E 00	9.952E-02	5.780E 02	5.860E 02	
		PI	PH2	PINF	QINF			
	1.989E-02	2.101E-02	1.970E-02	2.317E-01	2.172E-01			
	2.214E 00	2.005E 00	1.836E 00	1.243E 00	6.895E-01	1.983E-01	8.088E-01	0 P1-P9
	2.441E 01	2.210E 01	2.024E 01	1.371E 01	7.601E 00	2.186E 00	8.917E 00	0 P/PINF
	1.629E-01	1.475E-01	1.351E-01	9.149E-02	5.073E-02	1.459E-02	5.951E-02	0 P/PO
5	1.359E 01	5.000E 02	9.071E-02	1.011E 00	9.952E-02	5.780E 02	5.860E 02	
		PI	PH2	PINF	QINF			
	1.942E-02	2.054E-02	1.876E-02	2.265E-01	2.068E-01			
	4.880E-01	4.712E-01	8.072E-01	1.466E 00	1.354E 00	3.541E-01	6.975E-01	0 P1-P9
	5.380E 00	5.194E 00	8.900E 00	1.616E 01	1.492E 01	3.904E 00	7.690E 00	0 P/PINF
	3.591E-02	3.467E-02	5.940E-02	1.079E-01	9.962E-02	2.605E-02	5.133E-02	0 P/PO
6	1.360E 01	5.000E 02	9.076E-02	1.011E 00	9.958E-02	5.780E 02	5.860E 02	
		PI	PH2	PINF	QINF			
	1.847E-02	2.035E-02	1.845E-02	2.246E-01	2.033E-01			
	0	9.709E-01	0	0	0	0	0	0 P1-P9
	0	1.070E 01	0	0	0	0	0	0 P/PINF
	0	7.140E-02	0	0	0	0	0	0 P/PO



9 15 67

UNCLASSIFIED

AECOM, INC., LAMNOLD AFS, TENNESSEE  
 VON KARMAN GAS DYNAMICS FACILITY  
 GAS DYNAMIC WIND TUNNEL SUPERSONIC (A)

PAGE NO.	ONE	GROUP	CONF	MACH	X/D	TT
RUN	125	2	3,990	3,000		
GVP	PO	TO	PINF	UINF	RE/IN	
2	1.362E-01	5.595E-02	9.092E-02	1.013E-00	9.989E-02	5.755E-02 5.900E-02
	PI	PB1	PA2	PB1/PINF	PB2/PINF	
	1.752E-02	2.038E-02	1.814E-02	2.242E-01	1.995E-01	
	1.829E-00	1.684E-00	1.576E-00	1.436E-00	1.291E-00	1.171E-00 1.911E-00
	2.011E-01	1.857E-01	1.733E-01	1.580E-01	1.420E-01	1.288E-01 2.102E-01
	1.343E-01	1.239E-01	1.157E-01	1.055E-01	9.477E-02	8.594E-02 1.403E-01
3	1.360E-01	5.595E-02	9.076E-02	1.011E-00	9.971E-02	5.755E-02 5.900E-02
	PI	PB1	PA2	PB1/PINF	PB2/PINF	
	1.752E-02	2.054E-02	1.829E-02	2.263E-01	2.016E-01	
	1.203E-00	8.847E-01	7.419E-01	1.125E-00	1.450E-00	1.822E-00 0 0
	1.325E-01	9.792E-01	8.175E-00	1.239E-01	1.597E-01	2.007E-01 0 0
	8.847E-02	6.536E-02	5.456E-02	8.272E-02	1.066E-01	1.340E-01 0 0
4	1.351E-01	5.590E-02	9.018E-02	1.005E-00	9.921E-02	5.750E-02 5.900E-02
	PI	PB1	PA2	PB1/PINF	PB2/PINF	
	1.752E-02	2.038E-02	1.829E-02	2.260E-01	2.028E-01	
	1.780E-00	1.635E-00	1.502E-00	1.263E-00	9.025E-01	7.301E-01 1.282E-00
	1.974E-01	1.813E-01	1.666E-01	1.400E-01	1.001E-01	8.096E-00 1.422E-01
	1.318E-01	1.210E-01	1.112E-01	9.348E-02	6.680E-02	5.237E-02 9.492E-02
5	1.351E-01	5.590E-02	9.018E-02	1.005E-00	9.921E-02	5.755E-02 5.740E-02
	PI	PB1	PA2	PB1/PINF	PB2/PINF	
	1.689E-02	2.038E-02	1.814E-02	2.260E-01	2.011E-01	
	6.313E-01	6.868E-01	1.010E-00	1.510E-00	1.601E-00	1.427E-00 1.032E-00 6.879E-01
	7.000E-00	7.616E-00	1.120E-01	1.675E-01	1.776E-01	1.144E-01 7.628E-00
	4.672E-02	5.083E-02	7.477E-02	1.118E-01	1.185E-01	7.638E-02 5.092E-02
6	1.351E-01	5.590E-02	9.018E-02	1.005E-00	9.921E-02	5.760E-02 5.820E-02
	PI	PB1	PA2	PB1/PINF	PB2/PINF	
	1.721E-02	2.196E-02	1.829E-02	2.435E-01	2.028E-01	
	0	1.584E-00	0	0	0	0 0 0
	0	1.757E-01	0	0	0	0 0 0
	0	1.172E-01	0	0	0	0 0 0

9 15 67

UNCLASSIFIED

AEDC (ARO, INC.) AMNOLD AFS, TENNESSEE  
 VON KARMAN GAS DYNAMICS FACILITY  
 GAS DYNAMIC WIND TUNNEL SUPERSONIC (A)

PAGE NO.	ONE	MUN	GROUP	CUMF	MACH	K/D	RE/IN	TI
7	12b	2	3.990	5.000				
GVP	PU	IO	PINF	QINF	RE/IN	TI		
2	1.362E-01	5.590E-02	9.092E-02	1.013E-00	1.000E-01	5.630E-02	5.705E-02	
	PI	PB1	PH2	PB1/PINF	PB2/PINF			
	1.674E-02	2.038E-02	1.814E-02	2.242E-01	1.995E-01			
	1.474E-00	1.406E-00	1.375E-00	1.363E-00	1.957E-00	1.940E-00	1.839E-00	0 P1-P9
	1.622E-01	1.546E-01	1.513E-01	1.500E-01	2.152E-01	2.134E-01	2.023E-01	0 P/PINF
	1.082E-01	1.032E-01	1.010E-01	1.001E-01	1.437E-01	1.424E-01	1.350E-01	0 P/PO
3	1.362E-01	5.590E-02	9.092E-02	1.014E-00	1.001E-01	5.630E-02	5.705E-02	
	PI	PB1	PH2	PB1/PINF	PB2/PINF			
	1.674E-02	2.038E-02	1.814E-02	2.241E-01	1.994E-01			
	1.091E-00	8.754E-01	7.962E-01	1.885E-00	1.376E-00	1.542E-00	0	0 P1-P9
	1.199E-01	9.623E-00	8.753E-00	2.073E-01	1.512E-01	1.695E-01	0	0 P/PINF
	8.003E-02	6.423E-02	5.842E-02	1.383E-01	1.009E-01	1.131E-01	0	0 P/PO
4	1.362E-01	5.590E-02	9.092E-02	1.013E-00	1.000E-01	5.630E-02	5.705E-02	
	PI	PB1	PH2	PB1/PINF	PB2/PINF			
	1.674E-02	2.038E-02	1.814E-02	2.242E-01	1.995E-01			
	1.428E-00	1.374E-00	1.364E-00	1.376E-00	1.756E-00	1.327E-00	1.498E-00	0 P1-P9
	1.571E-01	1.511E-01	1.501E-01	1.513E-01	1.931E-01	1.460E-01	1.647E-01	0 P/PINF
	1.048E-01	1.008E-01	1.002E-01	1.010E-01	1.289E-01	9.746E-02	1.099E-01	0 P/PO
5	1.361E-01	5.590E-02	9.081E-02	1.012E-00	9.991E-02	5.635E-02	5.705E-02	
	PI	PB1	PH2	PB1/PINF	PB2/PINF			
	1.658E-02	2.038E-02	1.798E-02	2.244E-01	1.980E-01			
	7.489E-01	8.133E-01	1.027E-00	1.288E-00	1.490E-00	1.543E-00	1.347E-00	0 P1-P9
	8.247E-00	8.956E-00	1.131E-01	1.418E-01	1.641E-01	1.699E-01	1.483E-01	0 P/PINF
	5.504E-02	5.976E-02	7.547E-02	9.467E-02	1.095E-01	1.134E-01	9.899E-02	0 P/PO
6	1.360E-01	5.590E-02	9.076E-02	1.011E-00	9.985E-02	5.635E-02	5.710E-02	
	PI	PB1	PH2	PB1/PINF	PB2/PINF			
	1.674E-02	2.038E-02	1.814E-02	2.246E-01	1.998E-01			
	0	1.547E-00	0	0	0	0	0	0 P1-P9
	0	1.705E-01	0	0	0	0	0	0 P/PINF
	0	1.134E-01	0	0	0	0	0	0 P/PO

UNCLASSIFIED

AEDICARD, INC., JARMOND AFS, TENNESSEE  
 VON KARMAN GAS DYNAMICS FACILITY  
 GAS DYNAMIC WIND TUNNEL, SUPERSONIC (A)

PAGE NO.	ONE	GROUP	CUMF	MACH	X/D	RE/IN	TT
RUN	127	2	3.990	0.000			
GVP	PO	IO	PINF	UINF	RE/IN	TT	
2	1.360E-01	5.590E-02	9.076E-02	1.011E-00	9.985E-02	5.610E-02	5.685E-02
	PI	PA1	PA2	PA1/PINF	PA2/PINF		
	1.658E-02	2.054E-02	1.794E-02	2.253E-01	1.981E-01	1.830E-00	1.765E-00
	1.451E-00	1.425E-00	1.975E-00	1.964E-00	1.932E-00	2.016E-01	1.944E-01
	1.594E-01	1.570E-01	2.176E-01	2.164E-01	2.129E-01	2.070E-01	1.944E-01
	1.067E-01	1.044E-01	1.452E-01	1.444E-01	1.421E-01	1.382E-01	1.298E-01
3	1.361E-01	5.590E-02	9.081E-02	1.012E-00	9.991E-02	5.610E-02	5.685E-02
	PI	PA1	PA2	PA1/PINF	PA2/PINF		
	1.674E-02	2.034E-02	1.814E-02	2.244E-01	1.997E-01	1.456E-00	0
	1.077E-00	8.982E-01	8.206E-01	1.805E-00	1.940E-00	1.603E-01	0
	1.187E-01	9.690E-00	9.037E-00	1.968E-01	2.137E-01	1.603E-01	0
	7.919E-02	6.601E-02	6.031E-02	1.327E-01	1.426E-01	1.070E-01	0
4	1.361E-01	5.590E-02	9.081E-02	1.012E-00	9.991E-02	5.610E-02	5.685E-02
	PI	PA1	PA2	PA1/PINF	PA2/PINF		
	1.658E-02	2.034E-02	1.814E-02	2.244E-01	1.997E-01	1.347E-00	1.510E-00
	1.354E-00	1.373E-00	1.811E-00	1.904E-00	1.750E-00	1.489E-01	1.663E-01
	1.490E-01	1.512E-01	1.994E-01	2.097E-01	1.927E-01	9.902E-02	1.110E-01
	9.948E-02	1.009E-01	1.331E-01	1.400E-01	1.286E-01	5.610E-02	5.690E-02
5	1.360E-01	5.590E-02	9.076E-02	1.011E-00	9.971E-02	5.610E-02	5.690E-02
	PI	PA1	PA2	PA1/PINF	PA2/PINF		
	1.658E-02	2.034E-02	1.814E-02	2.244E-01	1.998E-01	1.428E-00	1.385E-00
	7.991E-01	8.012E-01	1.056E-00	1.269E-00	1.451E-00	1.574E-01	1.526E-01
	8.805E-00	9.889E-00	1.163E-01	1.397E-01	1.599E-01	1.050E-01	1.019E-01
	5.877E-02	6.334E-02	7.765E-02	9.323E-02	1.067E-01	5.615E-02	5.690E-02
6	1.362E-01	5.590E-02	9.092E-02	1.013E-00	9.989E-02	5.615E-02	5.690E-02
	PI	PA1	PA2	PA1/PINF	PA2/PINF		
	1.658E-02	2.034E-02	1.814E-02	2.242E-01	1.995E-01	0	0
	0	1.502E-00	0	0	0	0	0
	0	1.653E-01	0	0	0	0	0
	0	1.103E-01	0	0	0	0	0

9 15 67

UNCLASSIFIED

AEDC(AHO, INC.) AMNOLD AFS, TENNESSEE  
VON KARMAN GAS DYNAMICS FACILITY  
GAS DYNAMIC WIND TUNNEL SUPERSONIC (A)

PAGE NO.	ONE	RUN	GROUP	CONF	MACH	A/D	RE/IN	TT
GVP	PO	IO	PINF	QINF	RE/IN	TT		
2	1.360E 01	5.595E 02	9.076E-02	1.011E 00	9.971E-02	5.600E 02	5.680E 02	
	PI	PB1	PB2	PB1/PINF	PB2/PINF			
	1.642E-02	2.054E-02	1.798E-02	2.263E-01	1.981E-01	1.803E 00	1.763E 00	0 P1-P9
	1.942E 00	1.945E 00	1.925E 00	1.897E 00	1.860E 00	2.011E 01	1.943E 01	0 P/PINF
	2.139E 01	2.143E 01	2.121E 01	2.090E 01	2.049E 01	1.326E-01	1.297E-01	0 P/PO
	1.428E-01	1.430E-01	1.416E-01	1.395E-01	1.368E-01			
3	1.360E 01	5.600E 02	9.076E-02	1.011E 00	9.958E-02	5.600E 02	5.680E 02	
	PI	PB1	PB2	PB1/PINF	PB2/PINF			
	1.658E-02	2.034E-02	1.798E-02	2.244E-01	1.981E-01	1.444E 00	0	0 P1-P9
	1.100E 00	9.335E-01	8.686E-01	1.775E 00	1.890E 00	1.591E 01	0	0 P/PINF
	1.212E 01	1.029E 01	9.571E 00	1.957E 01	2.082E 01	1.062E-01	0	0 P/PO
	6.091E-02	6.665E-02	6.388E-02	1.306E-01	1.390E-01			
4	1.360E 01	5.600E 02	9.076E-02	1.011E 00	9.958E-02	5.600E 02	5.680E 02	
	PI	PB1	PB2	PB1/PINF	PB2/PINF			
	1.658E-02	2.054E-02	1.798E-02	2.263E-01	1.981E-01	1.360E 00	1.498E 00	0 P1-P9
	1.801E 00	1.865E 00	1.843E 00	1.883E 00	1.703E 00	1.499E 01	1.651E 01	0 P/PINF
	1.984E 01	2.055E 01	2.030E 01	2.075E 01	1.876E 01	1.000E-01	1.102E-01	0 P/PO
	1.324E-01	1.371E-01	1.355E-01	1.385E-01	1.252E-01			
5	1.360E 01	5.600E 02	9.076E-02	1.011E 00	9.958E-02	5.600E 02	5.680E 02	
	PI	PB1	PB2	PB1/PINF	PB2/PINF			
	1.658E-02	2.034E-02	1.798E-02	2.244E-01	1.981E-01	1.427E 00	1.392E 00	0 P1-P9
	8.603E-01	9.194E-01	1.087E 00	1.277E 00	1.430E 00	1.572E 01	1.534E 01	0 P/PINF
	9.479E 00	1.013E 01	1.197E 01	1.407E 01	1.576E 01	1.101E-01	1.024E-01	0 P/PO
	6.327E-02	6.761E-02	7.991E-02	9.392E-02	1.052E-01			
6	1.358E 01	5.600E 02	9.065E-02	1.010E 00	9.946E-02	5.600E 02	5.680E 02	
	PI	PB1	PB2	PB1/PINF	PB2/PINF			
	1.658E-02	2.034E-02	1.798E-02	2.244E-01	1.983E-01	0	0	0 P1-P9
	0	1.474E 00	0	0	0	0	0	0 P/PINF
	0	1.626E 01	0	0	0	0	0	0 P/PO
	0	1.085E-01	0	0	0			



9 15 67

UNCLASSIFIED

AEDC (ARL) INC. JARHOLD AFS, TENNESSEE  
 VON KARMAN GAS DYNAMICS FACILITY  
 GAS DYNAMIC WIND TUNNEL SUPERSONIC (A)

PAGE NO.	ONE	GROUP	CUMF	MACH	X/D	TT
7	13%	2	3.990	11.000		
GVF	PO	IO	PINF	QINF	RE/IN	TT
2	1.362E-01	5.015E-02	9.092E-02	1.013E-00	9.935E-02	5.550E 02 5.540E 02
	PI	PB1	PR2	PB1/PINF	PB2/PINF	
	1.595E-02	2.054E-02	1.798E-02	2.259E-01	1.978E-01	1.788E 00 1.646E 00
	1.879E-00	1.074E-00	1.869E-00	1.852E-00	1.829E-00	1.932E 01 1.810E 01
	2.067E-01	2.061E-01	2.056E-01	2.038E-01	2.012E-01	1.967E 01 1.810E 01
	1.379E-01	1.376E-01	1.372E-01	1.360E-01	1.343E-01	1.290E-01 1.208E-01
3	1.360E-01	5.620E-02	9.076E-02	1.011E-00	9.905E-02	5.550E 02 5.535E 02
	PI	PB1	PR2	PB1/PINF	PB2/PINF	
	1.658E-02	2.038E-02	1.845E-02	2.244E-01	2.033E-01	1.350E 00 0
	1.118E-00	1.018E-00	9.976E-01	1.765E-00	1.851E-00	1.488E 01 0
	1.232E-01	1.122E-01	1.099E-01	1.945E-01	2.039E-01	1.488E 01 0
	8.224E-02	7.489E-02	7.337E-02	1.295E-01	1.361E-01	9.930E-02 0
4	1.358E-01	5.620E-02	9.065E-02	1.010E-00	9.893E-02	5.550E 02 5.535E 02
	PI	PB1	PR2	PB1/PINF	PB2/PINF	
	1.658E-02	2.054E-02	1.829E-02	2.266E-01	2.018E-01	1.520E 00 1.549E 00
	1.713E-00	1.731E-00	1.781E-00	1.829E-00	1.766E-00	1.630E 01 1.708E 01
	1.890E-01	1.910E-01	1.965E-01	2.017E-01	1.948E-01	1.677E 01 1.140E-01
	1.262E-01	1.275E-01	1.312E-01	1.347E-01	1.300E-01	1.088E-01 1.140E-01
5	1.357E-01	5.620E-02	9.060E-02	1.010E-00	9.888E-02	5.545E 02 5.530E 02
	PI	PB1	PR2	PB1/PINF	PB2/PINF	
	1.658E-02	2.038E-02	1.829E-02	2.250E-01	2.019E-01	1.590E 00 1.590E 00
	9.991E-01	1.043E-00	1.161E-00	1.280E-00	1.415E-00	1.660E 01 1.755E 01
	1.103E-01	1.151E-01	1.281E-01	1.413E-01	1.562E-01	1.686E 01 1.172E-01
	7.360E-02	7.682E-02	6.549E-02	9.431E-02	1.043E-01	1.108E-01 1.125E-01
6	1.357E-01	5.620E-02	9.055E-02	1.009E-00	9.882E-02	5.540E 02 5.530E 02
	PI	PB1	PR2	PB1/PINF	PB2/PINF	
	1.658E-02	2.038E-02	1.818E-02	2.251E-01	2.003E-01	0 0
	0	1.500E-00	0	0	0	0 0
	0	1.657E-01	0	0	0	0 0
	0	1.106E-01	0	0	0	0 0

9 15 67

UNCLASSIFIED

AEDC(AHO, INC.) ARNOLD AFS, TENNESSEE  
VON KARMAN GAS DYNAMICS FACILITY  
GAS DYNAMIC WIND TUNNEL SUPERSONIC (A)

PAGE NO.	UNE	HUN	GROUP	CONF	MACH	K/D	RE/IN	TT
GVP	PU	TO	PINF	QINF	RE/IN	TT		
2	5.826E-00	5.575E-02	1.634E-01	1.016E-00	7.287E-02	5.300E-02		
		PB1	PR2	PB1/PINF	PB2/PINF			
	8.573E-02	8.185E-02	7.598E-02	5.008E-01	4.649E-01	1.391E-00	8.568E-01	0 P1-P9
	2.131E-00	2.047E-00	1.976E-00	2.537E-00	2.190E-00	8.512E-00	5.242E-00	0 P/PINF
	1.304E-01	1.252E-01	1.210E-01	1.552E-01	1.340E-01	1.155E-01	5.242E-00	0 P/PINF
	3.657E-01	3.514E-01	3.395E-01	4.355E-01	3.760E-01	3.239E-01	1.471E-01	0 P/PO
3	5.902E-00	5.575E-02	1.656E-01	1.029E-00	7.382E-02	5.305E-02	5.310E-02	
		PB1	PR2	PB1/PINF	PB2/PINF			
	8.920E-02	8.216E-02	7.692E-02	4.962E-01	4.646E-01	1.887E-00	8.568E-01	0 P1-P9
	8.260E-02	8.028E-02	8.121E-02	1.633E-00	2.705E-00	5.196E-01	0	0 P1-P9
	4.989E-01	4.944E-01	4.905E-01	9.865E-00	1.634E-01	3.138E-00	0	0 P/PINF
	1.399E-02	1.360E-02	1.376E-02	2.768E-01	4.584E-01	8.804E-02	0	0 P/PO
4	5.961E-00	5.575E-02	1.672E-01	1.039E-00	7.456E-02	5.305E-02	5.310E-02	
		PB1	PR2	PB1/PINF	PB2/PINF			
	9.078E-02	8.37E-02	7.802E-02	5.046E-01	4.666E-01	1.793E-00	1.060E-00	0 P1-P9
	1.905E-00	1.935E-00	2.478E-00	2.264E-00	1.322E-00	1.072E-01	6.340E-00	0 P/PINF
	1.139E-01	1.157E-01	1.482E-01	1.354E-01	7.903E-00	1.072E-01	1.779E-01	0 P/PO
	3.196E-01	3.246E-01	4.157E-01	3.798E-01	2.217E-01	3.008E-01	1.779E-01	0 P/PO
5	5.935E-00	5.575E-02	1.665E-01	1.035E-00	7.424E-02	5.310E-02	5.315E-02	
		PB1	PR2	PB1/PINF	PB2/PINF			
	9.252E-02	8.406E-02	7.849E-02	5.048E-01	4.714E-01	1.214E-00	1.685E-00	0 P1-P9
	7.170E-02	7.416E-02	7.771E-02	8.295E-02	4.489E-01	9.211E-01	1.012E-01	0 P/PINF
	4.306E-01	4.454E-01	4.667E-01	4.982E-01	2.696E-00	5.532E-00	2.839E-01	0 P/PO
	1.208E-02	1.244E-02	1.309E-02	1.398E-02	7.563E-02	1.552E-01	2.839E-01	0 P/PO
6	5.911E-00	5.575E-02	1.658E-01	1.031E-00	7.394E-02	5.310E-02	5.315E-02	
		PB1	PR2	PB1/PINF	PB2/PINF			
	9.252E-02	8.279E-02	7.911E-02	4.992E-01	4.770E-01	0	0	0 P1-P9
	0	6.933E-01	0	0	0	0	0	0 P/PINF
	0	4.181E-00	0	0	0	0	0	0 P/PO
	0	1.173E-01	0	0	0	0	0	0 P/PO

327

UNCLASSIFIED

UNCLASSIFIED

AEDC(AR), INC. JARNOLD AFS, TENNESSEE  
 VON KARMAN GAS DYNAMICS FACILITY  
 GAS DYNAMIC WIND TUNNEL, SUPERSONIC (A)

PAGE NO.	ONE	CONF	MACH	A/D	REZ/IN	TI
RUN	GROUP	CONF	MACH	A/D	REZ/IN	TI
GVP	PO	PINF	PINF	QINF	PINF	PINF
2	5.864E 00	5.575E 02	1.645E-01	1.023E 00	7.335E-02	5.350E 02 5.360E 02
	PI	PB1	PB2	PB1/PINF	PB2/PINF	
	8.494E-02	7.142E-02	7.380E-02	4.341E-01	4.486E-01	
	2.014E 00	2.442E 00	2.182E 00	1.924E 00	1.733E 00	1.488E 00 1.054E 00 0 P1-P9
	1.227E 01	1.445E 01	1.326E 01	1.172E 01	1.054E 01	7.469E 00 6.406E 00 0 P/PINF
	3.441E-01	4.165E-01	3.721E-01	3.284E-01	2.956E-01	2.095E-01 1.797E-01 0 P/PO
3	5.843E 00	5.575E 02	1.639E-01	1.019E 00	7.309E-02	5.350E 02 5.380E 02
	PI	PB1	PB2	PB1/PINF	PB2/PINF	
	7.799E-02	6.794E-02	7.270E-02	4.145E-01	4.435E-01	
	5.850E-01	1.514E-01	1.153E-01	1.257E 00	1.953E 00	7.783E-01 0 0 P1-P9
	3.569E 00	9.268E-01	7.033E-01	7.671E 00	1.191E 01	4.748E 00 0 P/PINF
	1.001E-01	2.600E-02	1.973E-02	2.152E-01	3.342E-01	1.332E-01 0 0 P/PO
4	5.846E 00	5.580E 02	1.640E-01	1.020E 00	7.303E-02	5.350E 02 5.390E 02
	PI	PB1	PB2	PB1/PINF	PB2/PINF	
	7.547E-02	6.668E-02	7.223E-02	4.065E-01	4.404E-01	
	2.017E 00	2.365E 00	2.039E 00	1.521E 00	1.233E 00	1.400E 00 1.271E 00 1.206E 00 0 P1-P9
	1.230E 01	1.444E 01	1.243E 01	9.275E 00	7.516E 00	8.539E 00 7.749E 00 7.354E 00 0 P/PINF
	3.450E-01	4.051E-01	3.488E-01	2.602E-01	2.108E-01	2.395E-01 2.174E-01 2.063E-01 0 P/PO
5	5.884E 00	5.580E 02	1.651E-01	1.025E 00	7.350E-02	5.355E 02 5.395E 02
	PI	PB1	PB2	PB1/PINF	PB2/PINF	
	7.483E-02	6.668E-02	7.161E-02	4.039E-01	4.338E-01	
	1.072E-01	1.112E-01	2.563E-01	7.983E-01	9.190E-01	1.148E 00 1.254E 00 1.403E 00 0 P1-P9
	6.496E-01	6.738E-01	1.734E 00	4.836E 00	5.567E 00	6.953E 00 7.595E 00 8.501E 00 0 P/PINF
	1.822E-02	1.890E-02	4.865E-02	1.357E-01	1.562E-01	1.951E-01 2.131E-01 2.385E-01 0 P/PO
6	5.889E 00	5.585E 02	1.652E-01	1.027E 00	7.347E-02	5.360E 02 5.475E 02
	PI	PB1	PB2	PB1/PINF	PB2/PINF	
	7.436E-02	6.558E-02	7.170E-02	4.036E-01	4.344E-01	
	0 9.021E-01	0	0	0	0	0 0 0 0 P1-P9
	0 5.824E 00	0	0	0	0	0 0 0 0 P/PINF
	0 1.034E-01	0	0	0	0	0 0 0 0 P/PO





UNCLASSIFIED

AEDC (ARL, INC.) ARNOLD AFS, TENNESSEE  
 VON KARMAN GAS DYNAMICS FACILITY  
 GAS DYNAMIC WIND TUNNEL SUPERSONIC (A)

PAGE NO.	ONE	GROUP	CJNF	MACH	X/D	RE/IN	IT
RUN	134	2	2.080	3.000			
GVP	PO	IO	PINF	QINF	RE/IN	IT	
2	5.946E 00	5.595E 02	1.669E-01	1.037E 00	7.398E-02		5.745E 02 5.710E 02
	PI	PB1	PB2	PB1/PINF	PB2/PINF		
	5.176E-02	4.835E-02	4.800E-02	2.894E-01	2.877E-01		
	1.698E 00	1.609E 00	1.515E 00	1.432E 00	1.377E 00	1.382E 00	2.068E 00 0 P1-P9
	1.018E 01	9.642E 00	9.084E 00	8.587E 00	8.252E 00	8.282E 00	1.239E 01 0 P/PINF
	2.855E-01	2.705E-01	2.548E-01	2.409E-01	2.315E-01	2.323E-01	3.505E-01 0 P/PO
3	5.950E 00	5.595E 02	1.669E-01	1.038E 00	7.402E-02		5.720E 02 5.710E 02
	PI	PB1	PB2	PB1/PINF	PB2/PINF		
	5.178E-02	4.819E-02	4.784E-02	2.887E-01	2.866E-01		
	1.264E 00	8.722E-01	7.915E-01	2.067E 00	1.433E 00	1.923E 00	0 0 P1-P9
	7.574E 00	5.226E 00	4.742E 00	1.234E 01	8.587E 00	1.152E 01	0 0 P/PINF
	2.125E-01	1.466E-01	1.330E-01	3.474E-01	2.409E-01	3.232E-01	0 0 P/PO
4	5.918E 00	5.595E 02	1.660E-01	1.032E 00	7.362E-02		5.710E 02 5.710E 02
	PI	PB1	PB2	PB1/PINF	PB2/PINF		
	5.163E-02	4.819E-02	4.800E-02	2.903E-01	2.891E-01		
	1.686E 00	1.625E 00	1.502E 00	1.310E 00	1.216E 00	1.115E 00	1.834E 00 0 P1-P9
	1.016E 01	9.788E 00	9.047E 00	7.891E 00	7.326E 00	6.715E 00	9.393E 00 1.105E 01 0 P/PINF
	2.849E-01	2.746E-01	2.538E-01	2.214E-01	2.055E-01	1.884E-01	2.635E-01 3.099E-01 0 P/PO
5	5.918E 00	5.595E 02	1.660E-01	1.032E 00	7.362E-02		5.695E 02 5.695E 02
	PI	PB1	PB2	PB1/PINF	PB2/PINF		
	5.147E-02	4.803E-02	4.784E-02	2.893E-01	2.882E-01		
	6.195E-01	1.033E 00	1.339E 00	1.692E 00	1.951E 00	1.917E 00	1.780E 00 1.082E 00 0 P1-P9
	4.936E 00	6.219E 00	8.066E 00	1.019E 01	1.175E 01	1.155E 01	1.072E 01 6.518E 00 0 P/PINF
	1.385E-01	1.745E-01	2.263E-01	2.858E-01	3.297E-01	3.239E-01	3.008E-01 1.829E-01 0 P/PO
6	5.919E 00	5.595E 02	1.661E-01	1.032E 00	7.364E-02		5.685E 02 5.690E 02
	PI	PB1	PB2	PB1/PINF	PB2/PINF		
	5.147E-02	4.803E-02	4.816E-02	2.892E-01	2.900E-01		
	0	1.975E 00	0	0	0	0	0 0 P1-P9
	0	1.189E 01	0	0	0	0	0 0 P/PINF
	0	3.336E-01	0	0	0	0	0 0 P/PO

9 15 67

UNCLASSIFIED

AEDC(ARD, INC.) ARNOLD AFS, TENNESSEE  
 VON KARMAN GAS DYNAMICS FACILITY  
 GAS DYNAMIC WIND TUNNEL SUPERSONIC (A)

PAGE NO.	ONE	GROUP	CONF	MACH	X/D	HEATIN	TT
HUN	135	2	2.980	5.000			
PO	IO	PINF	P2	P1/PINF	P2/PINF		
2	5.937E 00	5.595E 02	1.665E-01	1.035E 00	7.386E-02	5.485E 02	5.685E 02
	PI	PB1	PB2	P1/PINF	P2/PINF		
	5.131E-02	4.787E-02	4.800E-02	2.875E-01	2.882E-01	1.975E 00	1.932E 00
	1.582E 00	2.094E 00	2.065E 00	2.031E 00	1.995E 00	1.186E 01	1.160E 01
	9.497E 00	1.257E 01	1.240E 01	1.219E 01	1.198E 01	3.315E-01	3.254E-01
	2.664E-01	3.527E-01	3.477E-01	3.429E-01	3.361E-01		
3	5.927E 00	5.595E 02	1.663E-01	1.034E 00	7.374E-02	5.475E 02	5.685E 02
	PI	PB1	PB2	P1/PINF	P2/PINF		
	5.115E-02	4.772E-02	4.800E-02	2.870E-01	2.887E-01	1.648E 00	0
	1.168E 00	9.854E-01	9.870E-01	1.936E 00	2.015E 00	9.908E 00	0
	7.022E 00	5.926E 00	5.815E 00	1.164E 01	1.212E 01	2.780E-01	0
	1.970E-01	1.862E-01	1.531E-01	3.266E-01	3.399E-01		
4	5.942E 00	5.595E 02	1.667E-01	1.035E 00	7.392E-02	5.475E 02	5.685E 02
	PI	PB1	PB2	P1/PINF	P2/PINF		
	5.115E-02	4.772E-02	4.800E-02	2.863E-01	2.880E-01	1.596E 00	1.882E 00
	1.550E 00	2.061E 00	2.152E 00	1.980E 00	1.750E 00	9.574E 00	1.129E 01
	9.301E 00	1.237E 01	1.291E 01	1.184E 01	1.050E 01	2.686E-01	3.167E-01
	2.609E-01	3.469E-01	3.622E-01	3.333E-01	2.945E-01		
5	5.946E 00	5.595E 02	1.668E-01	1.037E 00	7.398E-02	5.475E 02	5.685E 02
	PI	PB1	PB2	P1/PINF	P2/PINF		
	5.115E-02	4.772E-02	4.784E-02	2.860E-01	2.868E-01	1.888E 00	1.564E 00
	9.842E-01	1.113E 00	1.356E 00	1.624E 00	1.851E 00	1.108E 01	9.373E 00
	5.900E 00	6.675E 00	8.126E 00	9.735E 00	1.110E 01	3.174E-01	2.629E-01
	1.655E-01	1.873E-01	2.280E-01	2.731E-01	3.114E-01		
6	5.946E 00	5.595E 02	1.668E-01	1.037E 00	7.398E-02	5.470E 02	5.685E 02
	PI	PB1	PB2	P1/PINF	P2/PINF		
	5.115E-02	4.803E-02	4.847E-02	2.879E-01	2.905E-01	0	0
	0	1.900E 00	0	0	0	0	0
	0	1.139E 01	0	0	0	0	0
	0	3.195E-01	0	0	0	0	0

UNCLASSIFIED

AEDC(AHO, INC.) AMNOLD AFS, TENNESSEE  
 VON KARMAN GAS DYNAMICS FACILITY  
 GAS DYNAMIC WIND TUNNEL SUPERSONIC (A)

PAGE NO.	ONE	GROUP	CUMF	MACH	X/D	RE/IN	TT	
RUN	136	2	2.980	6.000				
GVP	PO	TO	PINF	GINF				
2	5.946E 00	5.595E 02	1.669E-01	1.037E 00	7.392E-02		5.450E 02	5.685E 02
	Pf	P81	P82	P81/PINF	P82/PINF			
	5.099E-02	4.651E-02	4.847E-02	2.908E-01	2.905E-01			
	2.029E 00	2.026E 00	2.002E 00	1.983E 00	1.961E 00	1.956E 00	1.949E 00	1.898E 00
	1.217E 01	1.214E 01	1.200E 01	1.189E 01	1.175E 01	1.172E 01	1.168E 01	1.138E 01
	3.413E-01	3.407E-01	3.367E-01	3.334E-01	3.297E-01	3.289E-01	3.278E-01	3.192E-01
3	5.948E 00	5.595E 02	1.669E-01	1.037E 00	7.400E-02		5.450E 02	5.685E 02
	Pf	P81	P82	P81/PINF	P82/PINF			
	5.115E-02	4.756E-02	4.862E-02	2.850E-01	2.914E-01			
	1.172E 00	1.034E 00	1.023E 00	1.937E 00	1.969E 00	1.582E 00	0	0
	7.026E 00	6.221E 00	6.130E 00	1.161E 01	1.180E 01	9.479E 00	0	0
	1.971E-01	1.745E-01	1.720E-01	3.257E-01	3.311E-01	2.659E-01	0	0
4	5.948E 00	5.595E 02	1.669E-01	1.037E 00	7.400E-02		5.450E 02	5.685E 02
	Pf	P81	P82	P81/PINF	P82/PINF			
	5.115E-02	4.724E-02	4.847E-02	2.831E-01	2.905E-01			
	1.870E 00	1.943E 00	2.047E 00	1.950E 00	1.816E 00	1.692E 00	1.744E 00	1.874E 00
	1.120E 01	1.165E 01	1.227E 01	1.164E 01	1.088E 01	1.014E 01	1.045E 01	1.123E 01
	3.143E-01	3.267E-01	3.442E-01	3.278E-01	3.053E-01	2.844E-01	2.932E-01	3.150E-01
5	5.954E 00	5.595E 02	1.670E-01	1.038E 00	7.408E-02		5.450E 02	5.685E 02
	Pf	P81	P82	P81/PINF	P82/PINF			
	5.099E-02	4.724E-02	4.878E-02	2.828E-01	2.920E-01			
	1.033E 00	1.151E 00	1.375E 00	1.611E 00	1.815E 00	1.865E 00	1.830E 00	1.564E 00
	6.183E 00	6.892E 00	6.229E 00	9.642E 00	1.047E 01	1.116E 01	1.096E 01	9.360E 00
	1.735E-01	1.933E-01	2.308E-01	2.705E-01	3.050E-01	3.132E-01	3.074E-01	2.626E-01
6	5.956E 00	5.595E 02	1.671E-01	1.039E 00	7.420E-02		5.450E 02	5.685E 02
	Pf	P81	P82	P81/PINF	P82/PINF			
	5.099E-02	4.724E-02	4.925E-02	2.827E-01	2.948E-01			
	0	1.673E 00	0	0	0	0	0	0
	0	1.121E 01	0	0	0	0	0	0
	0	3.144E-01	0	0	0	0	0	0

9 15 67

UNCLASSIFIED

AEDCIAM, INC. JAMNOLD AFS, TENNESSEE  
VON KARMAN GAS DYNAMICS FACILITY  
GAS DYNAMIC WIND TUNNEL-SUPERSONIC (A)

PAGE NO.	ONE	GROUP	CONF	MACH	X/D				
RUN	137	2	2,480	7,000					
GVP	PU	IO	PI/F	QINF	RE/I, TT				
2	5.951E 00	5.590E 02	1.670E-01	1.032E 00	7.414E-02	5.440E 02	5.680E 02		
	PI	PB1	PH2	PB1/PINF	PB2/PINF				
	5.099E-02	4.693E-02	4.878E-02	2.811E-01	2.922E-01				
	1.993E 00	1.994E 00	1.976E 00	1.962E 00	1.942E 00	1.936E 00	1.860E 00	0	P1-P9
	1.194E 01	1.194E 01	1.144E 01	1.175E 01	1.163E 01	1.160E 01	1.114E 01	0	P/PINF
	3.350E-01	3.350E-01	3.321E-01	3.297E-01	3.263E-01	3.254E-01	3.125E-01	0	P/PO
3	5.918E 00	5.590E 02	1.660E-01	1.032E 00	7.372E-02	5.435E 02	5.680E 02		
	PI	PB1	PH2	PB1/PINF	PB2/PINF				
	5.099E-02	4.677E-02	4.862E-02	2.817E-01	2.929E-01				
	1.184E 00	1.084E 00	1.059E 00	1.899E 00	1.943E 00	1.531E 00	0	0	P1-P9
	7.133E 00	6.527E 00	6.379E 00	1.144E 01	1.171E 01	9.225E 00	0	0	P/PINF
	2.001E-01	1.831E-01	1.790E-01	3.209E-01	3.284E-01	2.588E-01	0	0	P/PO
4	5.891E 00	5.590E 02	1.653E-01	1.027E 00	7.339E-02	5.435E 02	5.675E 02		
	PI	PB1	PH2	PB1/PINF	PB2/PINF				
	5.099E-02	4.661E-02	4.831E-02	2.820E-01	2.923E-01				
	1.807E 00	1.844E 00	1.932E 00	1.859E 00	1.737E 00	1.652E 00	1.890E 00	0	P1-P9
	1.093E 01	1.116E 01	1.159E 01	1.125E 01	1.051E 01	9.998E 00	1.144E 01	0	P/PINF
	3.067E-01	3.131E-01	3.280E-01	3.155E-01	2.949E-01	2.805E-01	3.209E-01	0	P/PO
5	5.670E 00	5.590E 02	1.647E-01	1.024E 00	7.313E-02	5.435E 02	5.675E 02		
	PI	PB1	PH2	PB1/PINF	PB2/PINF				
	5.099E-02	4.645E-02	4.831E-02	2.821E-01	2.934E-01				
	1.060E 00	1.165E 00	1.356E 00	1.571E 00	1.748E 00	1.815E 00	1.622E 00	0	P1-P9
	6.438E 00	7.076E 00	8.237E 00	9.538E 00	1.062E 01	1.102E 01	9.847E 00	0	P/PINF
	1.806E-01	1.945E-01	2.311E-01	2.676E-01	2.978E-01	3.093E-01	2.762E-01	0	P/PO
6	5.856E 00	5.590E 02	1.643E-01	1.021E 00	7.295E-02	5.435E 02	5.675E 02		
	PI	PB1	PH2	PB1/PINF	PB2/PINF				
	5.099E-02	4.724E-02	4.810E-02	2.876E-01	2.931E-01				
	0	1.918E 00	0	0	0	0	0	0	P1-P9
	0	1.168E 01	0	0	0	0	0	0	P/PINF
	0	3.276E-01	0	0	0	0	0	0	P/PO

9 15 67

UNCLASSIFIED

AEDICARD, INC., AMNOLD AFS, TENNESSEE  
VON KARMAN GAS DYNAMICS FACILITY  
GAS DYNAMIC WIND TUNNEL SUPERSONIC (A)

PAGE NO.	UNE	NUM	GROUP	CUMF	MACH	X/D
GVP	PO	TO	PINF	QINF	TT	
2	5.810E 00	5.590E 02	1.630E-01	1.013E 00	7.239E-02	5.440E 02 5.675E 02
	PI	PB1	PH2	PB1/PINF	PH2/PINF	
	5.005E-02	4.550E-02	4.784E-02	2.792E-01	2.935E-01	
	1.947E 00	1.938E 00	1.938E 00	1.922E 00	1.910E 00	1.897E 00 1.849E 00 0 P1-P9
	1.195E 01	1.189E 01	1.199E 01	1.179E 01	1.172E 01	1.164E 01 1.135E 01 0 P/PINF
	3.351E-01	3.335E-01	3.335E-01	3.309E-01	3.287E-01	3.265E-01 3.183E-01 0 P/PO
3	5.845E 00	5.590E 02	1.640E-01	1.019E 00	7.281E-02	5.445E 02 5.680E 02
	PI	PB1	PH2	PB1/PINF	PH2/PINF	
	4.973E-02	4.550E-02	4.722E-02	2.775E-01	2.880E-01	
	1.334E 00	1.236E 00	1.216E 00	2.060E 00	2.153E 00	1.624E 00 0 0 P1-P9
	6.135E 00	7.538E 00	7.418E 00	1.257E 01	1.313E 01	9.905E 00 0 0 P/PINF
	2.282E-01	2.115E-01	2.081E-01	3.525E-01	3.683E-01	2.779E-01 0 0 P/PO
4	5.867E 00	5.590E 02	1.646E-01	1.023E 00	7.309E-02	5.445E 02 5.680E 02
	PI	PB1	PH2	PB1/PINF	PH2/PINF	
	4.957E-02	4.566E-02	4.737E-02	2.774E-01	2.878E-01	
	1.826E 00	1.862E 00	1.954E 00	1.872E 00	1.714E 00	1.613E 00 1.761E 00 0 P1-P9
	1.109E 01	1.131E 01	1.187E 01	1.137E 01	1.041E 01	9.800E 00 1.070E 01 0 P/PINF
	3.112E-01	3.173E-01	3.331E-01	3.191E-01	2.921E-01	2.749E-01 3.002E-01 0 P/PO
5	5.916E 00	5.590E 02	1.660E-01	1.032E 00	7.370E-02	5.445E 02 5.685E 02
	PI	PB1	PH2	PB1/PINF	PH2/PINF	
	4.957E-02	4.614E-02	4.722E-02	2.780E-01	2.845E-01	
	1.224E 00	1.265E 00	1.451E 00	1.665E 00	1.863E 00	1.955E 00 1.696E 00 0 P1-P9
	7.375E 00	7.623E 00	8.741E 00	1.003E 01	1.123E 01	1.178E 01 1.022E 01 0 P/PINF
	2.069E-01	2.138E-01	2.452E-01	2.814E-01	3.149E-01	3.305E-01 2.867E-01 0 P/PO
6	5.934E 00	5.590E 02	1.665E-01	1.035E 00	7.392E-02	5.445E 02 5.685E 02
	PI	PB1	PH2	PB1/PINF	PH2/PINF	
	4.973E-02	4.614E-02	4.753E-02	2.772E-01	2.855E-01	
	0	1.835E 00	0	0	0	0 0 0 P1-P9
	0	1.102E 01	0	0	0	0 0 0 P/PINF
	0	3.092E-01	0	0	0	0 0 0 P/PO

9 15 67

UNCLASSIFIED

AEUC (ARO, INC.) AMNOLD AFS, TENNESSEE  
 VON KARMAN GAS DYNAMICS FACILITY  
 GAS DYNAMIC WIND TUNNEL SUPERSONIC (A)

PAGE NO.	ONE	GROUP	CONF	MACH	K/O	RE/IN	TI
RUN	139	2	2.480	11.000			
GWP	PU	TO	PINF	QINF	RE/IN	TI	
2	5.969E 00	5.590E 02	1.674E-01	1.041E 00	7.436E-02		5.450E 02 5.745E 02
	PI	PB1	PH2	PB1/PINF	PH2/PINF		
	5.021E-02	4.093E-02	4.831E-02	2.803E-01	2.885E-01		
	1.958E 00	1.964E 00	1.964E 00	1.940E 00	1.919E 00	1.917E 00	1.924E 00 1.845E 00 0 P1-P9
	1.169E 01	1.175E 01	1.173E 01	1.159E 01	1.146E 01	1.145E 01	1.149E 01 1.102E 01 0 P/PINF
	3.281E-01	3.298E-01	3.290E-01	3.251E-01	3.215E-01	3.211E-01	3.223E-01 3.091E-01 0 P/PO
3	5.983E 00	5.590E 02	1.678E-01	1.043E 00	7.453E-02		5.450E 02 5.740E 02
	PI	PB1	PH2	PB1/PINF	PH2/PINF		
	5.036E-02	4.645E-02	4.816E-02	2.768E-01	2.859E-01		
	1.379E 00	1.319E 00	1.306E 00	1.994E 00	2.024E 00	1.597E 00	0 0 0 P1-P9
	8.214E 00	7.856E 00	7.782E 00	1.190E 01	1.204E 01	9.512E 00	0 0 0 P/PINF
	2.304E-01	2.204E-01	2.183E-01	3.339E-01	3.362E-01	2.669E-01	0 0 0 P/PO
4	5.965E 00	5.585E 02	1.674E-01	1.040E 00	7.442E-02		5.450E 02 5.740E 02
	PI	PB1	PH2	PB1/PINF	PH2/PINF		
	5.052E-02	4.645E-02	4.847E-02	2.776E-01	2.896E-01		
	1.946E 00	1.980E 00	2.018E 00	1.976E 00	1.848E 00	1.768E 00	1.772E 00 1.920E 00 0 P1-P9
	1.163E 01	1.183E 01	1.206E 01	1.181E 01	1.104E 01	1.057E 01	1.059E 01 1.147E 01 0 P/PINF
	3.261E-01	3.319E-01	3.383E-01	3.312E-01	3.098E-01	2.964E-01	2.971E-01 3.219E-01 0 P/PO
5	5.956E 00	5.585E 02	1.671E-01	1.039E 00	7.430E-02		5.450E 02 5.740E 02
	PI	PB1	PH2	PB1/PINF	PH2/PINF		
	5.084E-02	4.645E-02	4.847E-02	2.780E-01	2.901E-01		
	1.297E 00	1.371E 00	1.523E 00	1.698E 00	1.853E 00	1.946E 00	1.942E 00 1.757E 00 0 P1-P9
	7.763E 00	8.207E 00	9.116E 00	1.016E 01	1.109E 01	1.165E 01	1.162E 01 1.051E 01 0 P/PINF
	2.178E-01	2.302E-01	2.557E-01	2.851E-01	3.111E-01	3.268E-01	3.260E-01 2.950E-01 0 P/PO
6	5.945E 00	5.565E 02	1.668E-01	1.037E 00	7.416E-02		5.450E 02 5.655E 02
	PI	PB1	PH2	PB1/PINF	PH2/PINF		
	5.084E-02	4.645E-02	4.878E-02	2.785E-01	2.925E-01		
	0	1.939E 00	0	0	0	0	0 0 0 P1-P9
	0	1.162E 01	0	0	0	0	0 0 0 P/PINF
	0	3.261E-01	0	0	0	0	0 0 0 P/PO

9 15 67

UNCLASSIFIED

AEDC(AO) INC. WAMNOLD AFS, TENNESSEE  
 WVN KARMAN GAS DYNAMICS FACILITY  
 GAS DYNAMIC WIND TUNNEL SUPPERSONIC (A)

PAGE NO.	ONE	RUN	GROUP	CUNF	MACH	X/D	RE/IN	TT	
GVP	PO	TO	PINF	UINF	.503				
2	2.919E-00	5.575E-02	3.731E-01	1.045E-00	5.969E-02		5.240E-02	5.245E-02	
		PT	PA2	PA1/PINF	PA2/PINF				
	3.757E-01	3.315E-01	3.410E-01	8.945E-01	9.140E-01				
	2.336E-00	2.282E-00	2.194E-00	2.078E-00	1.986E-00		1.848E-00	1.315E-00	0 P1-P9
	6.261E-00	6.116E-00	5.881E-00	5.569E-00	5.323E-00		4.952E-00	3.526E-00	0 P/PINF
	8.002E-01	7.817E-01	7.517E-01	7.117E-01	6.803E-01		6.329E-01	4.506E-01	0 P/PO
3	2.918E-00	5.590E-02	3.729E-01	1.044E-00	5.943E-02		5.240E-02	5.245E-02	
		PT	PA2	PA1/PINF	PA2/PINF				
	3.799E-01	3.345E-01	3.451E-01	8.970E-01	9.254E-01				
	2.945E-01	2.914E-01	2.908E-01	1.890E-00	2.101E-00		3.282E-01	0	0 P1-P9
	7.899E-01	7.816E-01	7.798E-01	5.069E-00	5.635E-00		8.803E-01	0	0 P/PINF
	1.009E-01	9.989E-02	9.966E-02	6.478E-01	7.202E-01		1.125E-01	0	0 P/PO
4	2.891E-00	5.590E-02	3.694E-01	1.034E-00	5.888E-02		5.235E-02	5.245E-02	
		PT	PA2	PA1/PINF	PA2/PINF				
	3.745E-01	3.283E-01	3.407E-01	8.887E-01	9.221E-01				
	2.324E-00	2.063E-00	1.984E-00	1.577E-00	1.722E-00		1.797E-00	1.600E-00	0 P1-P9
	6.291E-00	5.583E-00	5.382E-00	4.264E-00	4.660E-00		4.863E-00	4.330E-00	0 P/PINF
	8.041E-01	7.136E-01	6.878E-01	5.455E-01	5.956E-01		6.215E-01	5.534E-01	0 P/PO
5	2.889E-00	5.585E-02	3.692E-01	1.034E-00	5.892E-02		5.215E-02	5.225E-02	
		PT	PA2	PA1/PINF	PA2/PINF				
	3.737E-01	3.283E-01	3.402E-01	8.892E-01	9.214E-01				
	2.757E-01	2.831E-01	2.850E-01	2.836E-01	2.926E-01		1.639E-00	1.717E-00	0 P1-P9
	7.468E-01	7.067E-01	7.719E-01	7.881E-01	7.925E-01		4.438E-00	4.651E-00	0 P/PINF
	9.544E-02	9.799E-02	9.866E-02	9.817E-02	1.013E-01		5.672E-01	5.945E-01	0 P/PO
6	2.891E-00	5.585E-02	3.694E-01	1.034E-00	5.896E-02		5.210E-02	5.225E-02	
		PT	PA2	PA1/PINF	PA2/PINF				
	3.740E-01	3.286E-01	3.402E-01	8.896E-01	9.209E-01				
	0	3.164E-01	0	0	0		0	0	0 P1-P9
	0	8.565E-01	0	0	0		0	0	0 P/PINF
	0	1.095E-01	0	0	0		0	0	0 P/PO





9 15 67

UNCLASSIFIED

AEDUC(ARO, INC.) ARNOLD AFS, TENNESSEE  
VON KARMAN GAS DYNAMICS FACILITY  
GAS DYNAMIC WIND TUNNEL SUPERSONIC (A)

PAGE NO.	UNE	GROUP	CUNF	MACH	X/D	RE/IN	TT	
RUN	142	2	2.000	2.000				
GVP	PU	TO	PINF	UINF				
2	2.900E 00	5.575E 02	3.707E-01	1.038E 00	5.930E-02	5.810E 02	5.685E 02	
	PI	PB1	PB2	PB1/PINF	PB2/PINF			
	2.326E-01	2.003E-01	2.004E-01	5.405E-01	5.408E-01			
	1.916E 00	1.886E 00	1.876E 00	1.856E 00	1.751E 00	1.743E 00	2.131E 00	0 P1-P9
	5.169E 00	5.089E 00	5.060E 00	5.006E 00	4.723E 00	4.701E 00	5.750E 00	0 P/PINF
	6.606E-01	6.503E-01	6.467E-01	6.398E-01	6.037E-01	6.008E-01	7.349E-01	0 P/PO
3	2.903E 00	5.575E 02	3.711E-01	1.039E 00	5.936E-02	5.835E 02	5.705E 02	
	PI	PB1	PB2	PB1/PINF	PB2/PINF			
	2.264E-01	1.986E-01	1.982E-01	5.352E-01	5.343E-01			
	1.467E 00	9.430E-01	7.553E-01	1.951E 00	1.735E 00	2.136E 00	0	0 P1-P9
	3.954E 00	2.541E 00	2.036E 00	5.257E 00	4.676E 00	5.755E 00	0	0 P/PINF
	5.053E-01	3.248E-01	2.601E-01	6.718E-01	5.976E-01	7.355E-01	0	0 P/PO
4	2.899E 00	5.575E 02	3.705E-01	1.037E 00	5.926E-02	5.840E 02	5.705E 02	
	PI	PB1	PB2	PB1/PINF	PB2/PINF			
	2.245E-01	1.986E-01	1.997E-01	5.361E-01	5.389E-01			
	1.804E 00	1.868E 00	1.614E 00	1.564E 00	1.443E 00	1.555E 00	1.832E 00	0 P1-P9
	4.871E 00	4.503E 00	4.356E 00	4.221E 00	3.894E 00	4.198E 00	5.208E 00	0 P/PINF
	6.225E-01	5.755E-01	5.567E-01	5.394E-01	4.977E-01	5.365E-01	6.657E-01	0 P/PO
5	2.905E 00	5.570E 02	3.713E-01	1.040E 00	5.947E-02	5.845E 02	5.705E 02	
	PI	PB1	PB2	PB1/PINF	PB2/PINF			
	2.247E-01	1.983E-01	1.995E-01	5.341E-01	5.373E-01			
	6.266E-01	6.483E-01	9.331E-01	1.597E 00	2.045E 00	1.997E 00	1.941E 00	0 P1-P9
	1.688E 00	1.746E 00	2.513E 00	4.300E 00	5.508E 00	5.378E 00	4.116E 00	0 P/PINF
	2.157E-01	2.232E-01	3.212E-01	5.496E-01	7.039E-01	6.873E-01	5.261E-01	0 P/PO
6	2.903E 00	5.570E 02	3.711E-01	1.039E 00	5.944E-02	5.845E 02	5.705E 02	
	PI	PB1	PB2	PB1/PINF	PB2/PINF			
	2.243E-01	1.981E-01	1.992E-01	5.340E-01	5.368E-01			
	0	2.132E 00	0	0	0	0	0	0 P1-P9
	0	5.745E 00	0	0	0	0	0	0 P/PINF
	0	7.343E-01	0	0	0	0	0	0 P/PO



9 15 67

UNCLASSIFIED

AEDICARO, INC., JAMNOLD AFS, TENNESSEE  
 VON KARMAN GAS DYNAMICS FACILITY  
 GAS DYNAMIC WIND TUNNEL "SUPE-SONIC" (A)

PAGE NO. ONE		GROUP		CORF		MACH		X/D	
8		144		2		2.000		5.000	
GVP	PO	TO	PI	PINF	P2	PINF	WINF	RE/IN	TT
2	2.914E 00	5.560E 02	3.725E-01	1.043E 00	5.981E-02	5.635E 02	5.675E 02		
	PI	PB1	PB2	P1/PINF	P2/PINF				
	2.204E-01	1.950E-01	1.947E-01	5.234E-01	5.226E-01	2.132E 00	2.113E 00	0	P1-P9
	2.112E 00	2.114E 00	2.112E 00	2.110E 00	2.110E 00	5.724E 00	5.673E 00	0	P/PINF
	5.670E 00	5.675E 00	5.669E 00	5.664E 00	5.665E 00	7.315E-01	7.251E-01	0	P/PO
	7.246E-01	7.253E-01	7.246E-01	7.239E-01	7.240E-01				
3	2.918E 00	5.560E 02	3.729E-01	1.044E 00	5.988E-02	5.630E 02	5.670E 02		
	PI	PB1	PB2	P1/PINF	P2/PINF				
	2.201E-01	1.943E-01	1.939E-01	5.212E-01	5.199E-01	1.942E 00	1.927E 00	0	P1-P9
	1.552E 00	1.337E 00	1.231E 00	2.101E 00	2.075E 00	5.207E 00	5.207E 00	0	P/PINF
	4.162E 00	3.587E 00	3.302E 00	5.635E 00	5.564E 00				
	5.319E-01	4.584E-01	4.220E-01	7.202E-01	7.111E-01	6.655E-01		0	P/PO
4	2.911E 00	5.560E 02	3.721E-01	1.042E 00	5.975E-02	5.630E 02	5.670E 02		
	PI	PB1	PB2	P1/PINF	P2/PINF				
	2.195E-01	1.947E-01	1.939E-01	5.232E-01	5.210E-01	2.016E 00	1.992E 00	0	P1-P9
	2.028E 00	2.038E 00	1.957E 00	1.940E 00	1.802E 00	5.417E 00	5.355E 00	0	P/PINF
	5.450E 00	5.478E 00	5.259E 00	5.215E 00	4.843E 00	6.889E-01	6.843E-01	0	P/PO
	6.966E-01	7.001E-01	6.721E-01	6.665E-01	6.189E-01				
5	2.903E 00	5.560E 02	3.711E-01	1.039E 00	5.958E-02	5.630E 02	5.670E 02		
	PI	PB1	PB2	P1/PINF	P2/PINF				
	2.196E-01	1.948E-01	1.939E-01	5.250E-01	5.225E-01	1.993E 00	1.808E 00	0	P1-P9
	1.139E 00	1.203E 00	1.367E 00	1.602E 00	1.908E 00	5.377E 00	4.872E 00	0	P/PINF
	3.069E 00	3.242E 00	3.683E 00	4.317E 00	5.131E 00	6.864E-01	6.226E-01	0	P/PO
	3.922E-01	4.144E-01	4.707E-01	5.518E-01	6.558E-01				
6	2.911E 00	5.560E 02	3.721E-01	1.042E 00	5.975E-02	5.630E 02	5.670E 02		
	PI	PB1	PB2	P1/PINF	P2/PINF				
	2.199E-01	1.948E-01	1.940E-01	5.236E-01	5.215E-01	0	0	0	P1-P9
	0	1.915E 00	0	0	0	0	0	0	P/PINF
	0	5.147E 00	0	0	0	0	0	0	P/PO
	0	6.578E-01	0	0	0	0	0	0	

9 15 67

UNCLASSIFIED

AEDC(AHO, INC.) WIND TUNNEL AFS, TENNESSEE  
 VON KARMAN GAS DYNAMICS FACILITY  
 GAS DYNAMIC WIND TUNNEL SUPERSONIC (A)

PAGE NO.	ONE	CONF		MACH	A/D	RE/IN	
HUN	GROUP	CONF	PINF	MACH	A/D	PI	PI/PINF
GVP	PO	TO	PINF	MACH	A/D	PI	PI/PINF
2	2.908E 00	5.560E 02	3.717E-01	2.000	6.000	5.968E-02	5.545E 02
	PI	PB1	PB2			PB2/PINF	
	2.195E-01	1.950E-01	1.942E-01	5.246E-01	5.225E-01	2.109E 00	2.092E 00
	2.090E 00	2.099E 00	2.088E 00	2.089E 00	2.100E 00	5.674E 00	5.629E 00
	5.623E 00	5.647E 00	5.618E 00	5.622E 00	5.650E 00	7.221E-01	7.194E-01
	7.186E-01	7.217E-01	7.180E-01	7.185E-01	7.221E-01	5.595E 02	5.545E 02
3	2.908E 00	5.560E 02	3.717E-01	2.000	6.000	5.968E-02	5.545E 02
	PI	PB1	PB2			PB2/PINF	
	2.196E-01	1.948E-01	1.947E-01	5.242E-01	5.237E-01	1.882E 00	0
	1.561E 00	1.385E 00	1.292E 00	2.062E 00	2.041E 00	5.064E 00	0
	4.201E 00	3.725E 00	3.476E 00	5.548E 00	5.491E 00	6.472E-01	0
	5.369E-01	4.761E-01	4.442E-01	7.090E-01	7.018E-01	5.590E 02	5.545E 02
4	2.903E 00	5.560E 02	3.711E-01	2.000	6.000	5.958E-02	5.545E 02
	PI	PB1	PB2			PB2/PINF	
	2.195E-01	1.953E-01	1.948E-01	5.263E-01	5.250E-01	1.921E 00	1.934E 00
	2.025E 00	1.981E 00	1.915E 00	1.874E 00	1.796E 00	5.178E 00	5.213E 00
	5.457E 00	5.339E 00	5.161E 00	5.049E 00	4.841E 00	6.618E-01	6.662E-01
	6.974E-01	6.823E-01	6.596E-01	6.453E-01	6.187E-01	5.590E 02	5.545E 02
5	2.907E 00	5.560E 02	3.715E-01	2.000	6.000	5.965E-02	5.545E 02
	PI	PB1	PB2			PB2/PINF	
	2.199E-01	1.948E-01	1.950E-01	5.244E-01	5.248E-01	1.970E 00	1.811E 00
	1.224E 00	1.285E 00	1.423E 00	1.597E 00	1.842E 00	5.303E 00	4.875E 00
	3.308E 00	3.459E 00	3.831E 00	4.300E 00	4.959E 00	6.867E-01	6.230E-01
	4.228E-01	4.420E-01	4.897E-01	5.496E-01	6.337E-01	5.590E 02	5.545E 02
6	2.911E 00	5.560E 02	3.721E-01	2.000	6.000	5.975E-02	5.545E 02
	PI	PB1	PB2			PB2/PINF	
	2.195E-01	1.948E-01	1.945E-01	5.236E-01	5.227E-01	0	0
	0	1.852E 00	0	0	0	0	0
	0	4.978E 00	0	0	0	0	0
	0	6.362E-01	0	0	0	0	0



UNCLASSIFIED

AEDC(ARO, INC.) ARNOLD AFS, TENNESSEE  
 VON KARMAN GAS DYNAMICS FACILITY  
 GAS DYNAMIC WIND TUNNEL SUPersonic (A)

PAGE NO.	ONE	GROUP	CONF	MACH	X/D	TT
RUN	147	2	2.000	9.000		
GVP	PO	IO	PINF	QINF	RE/IN	
2	2.937E 00	5.580E 02	3.753E-01	1.051E 00	5.997E-02	5.605E 02 5.625E 02
	PT	PB1	PB2	PB1/PINF	PB2/PINF	
	2.213E-01	1.954E-01	1.954E-01	5.275E-01	5.207E-01	
	2.048E 00	2.044E 00	2.044E 00	2.042E 00	2.033E 00	2.048E 00 2.063E 00 2.021E 00 0 P1-P9
	5.457E 00	5.471E 00	5.446E 00	5.442E 00	5.417E 00	5.456E 00 5.496E 00 5.384E 00 0 P/PINF
	6.975E-01	6.992E-01	6.960E-01	6.955E-01	6.923E-01	6.973E-01 6.880E-01 0 P/PO
3	2.929E 00	5.580E 02	3.743E-01	1.048E 00	5.981E-02	5.605E 02 5.630E 02
	PT	PB1	PB2	PB1/PINF	PB2/PINF	
	2.213E-01	1.966E-01	1.957E-01	5.251E-01	5.230E-01	
	1.667E 00	1.540E 00	1.467E 00	2.064E 00	2.029E 00	1.870E 00 0 0 P1-P9
	4.454E 00	4.115E 00	3.920E 00	5.513E 00	5.421E 00	4.995E 00 0 0 P/PINF
	5.692E-01	5.259E-01	5.010E-01	7.046E-01	6.928E-01	6.384E-01 0 0 P/PO
4	2.929E 00	5.580E 02	3.743E-01	1.048E 00	5.981E-02	5.600E 02 5.630E 02
	PT	PB1	PB2	PB1/PINF	PB2/PINF	
	2.213E-01	1.967E-01	1.954E-01	5.255E-01	5.221E-01	
	1.970E 00	1.942E 00	1.859E 00	1.810E 00	1.785E 00	1.867E 00 1.921E 00 1.879E 00 0 P1-P9
	5.263E 00	5.190E 00	4.967E 00	4.836E 00	4.768E 00	5.041E 00 5.133E 00 5.021E 00 0 P/PINF
	6.726E-01	6.632E-01	6.348E-01	6.180E-01	6.093E-01	6.443E-01 6.561E-01 6.416E-01 0 P/PO
5	2.934E 00	5.585E 02	3.749E-01	1.050E 00	5.983E-02	5.605E 02 5.630E 02
	PT	PB1	PB2	PB1/PINF	PB2/PINF	
	2.213E-01	1.967E-01	1.954E-01	5.247E-01	5.213E-01	
	1.420E 00	1.448E 00	1.524E 00	1.621E 00	1.750E 00	1.898E 00 1.969E 00 1.877E 00 0 P1-P9
	3.788E 00	3.863E 00	4.065E 00	4.323E 00	4.695E 00	5.062E 00 5.251E 00 5.006E 00 0 P/PINF
	4.841E-01	4.937E-01	5.195E-01	5.525E-01	6.000E-01	6.470E-01 6.711E-01 6.398E-01 0 P/PO
6	2.937E 00	5.585E 02	3.753E-01	1.051E 00	5.989E-02	5.605E 02 5.630E 02
	PT	PB1	PB2	PB1/PINF	PB2/PINF	
	2.213E-01	1.964E-01	1.954E-01	5.245E-01	5.207E-01	
	0	1.824E 00	0	0	0	0 0 0 0 P1-P9
	0	4.859E 00	0	0	0	0 0 0 0 P/PINF
	0	6.210E-01	0	0	0	0 0 0 0 P/PO

343

UNCLASSIFIED

AEOCIARO, INC., JAHNOLD AFS, TENNESSEE  
VON KARMAN GAS DYNAMICS FACILITY  
GAS DYNAMIC WIND TUNNEL, SUPERSONIC (A)

PAGE NO.	UNE	CONF	MACH	A/D	RE/IN	TT
GROUP	CONF	MACH	A/D	RE/IN	TT	
148	2	2.000	11.006			
PI	P81	P82	P81/PINF	P82/PINF		
2	2.935E 00	3.751E-01	1.050E 00	5.979E-02	5.585E 02	5.535E 02
	2.213E-01	1.957E-01	5.278E-01	5.218E-01	2.100E 00	2.013E 00
	2.164E 00	2.178E 00	2.075E 00	2.073E 00	5.598E 00	5.366E 00
	5.770E 00	5.806E 00	5.532E 00	5.527E 00	7.154E-01	6.857E-01
	7.374E-01	7.420E-01	7.071E-01	7.063E-01	5.585E 02	5.535E 02
3	2.935E 00	3.751E-01	1.050E 00	5.979E-02	5.585E 02	5.535E 02
	2.213E-01	1.957E-01	5.278E-01	5.218E-01	2.100E 00	2.013E 00
	1.714E 00	1.607E 00	2.062E 00	2.107E 00	1.882E 00	0
	4.570E 00	4.284E 00	5.497E 00	5.617E 00	5.017E 00	0
	5.840E-01	5.475E-01	7.025E-01	7.178E-01	6.413E-01	0
4	2.937E 00	3.753E-01	1.051E 00	5.982E-02	5.585E 02	5.535E 02
	2.213E-01	1.954E-01	5.241E-01	5.207E-01	1.944E 00	1.872E 00
	2.017E 00	2.024E 00	1.884E 00	1.858E 00	5.184E 00	4.988E 00
	5.374E 00	5.393E 00	5.019E 00	4.952E 00	6.625E-01	6.375E-01
	6.868E-01	6.893E-01	6.415E-01	6.329E-01	5.585E 02	5.535E 02
5	2.936E 00	3.755E-01	1.051E 00	5.978E-02	5.585E 02	5.535E 02
	2.213E-01	1.967E-01	5.238E-01	5.204E-01	1.958E 00	1.915E 00
	1.503E 00	1.522E 00	1.666E 00	1.772E 00	5.020E 00	5.100E 00
	4.003E 00	4.053E 00	4.438E 00	4.719E 00	6.665E-01	6.519E-01
	5.116E-01	5.180E-01	5.671E-01	6.031E-01	5.585E 02	5.535E 02
6	2.935E 00	3.751E-01	1.050E 00	5.971E-02	5.585E 02	5.535E 02
	2.213E-01	1.967E-01	5.244E-01	5.210E-01	0	0
	0	1.806E 00	0	0	0	0
	0	4.814E 00	0	0	0	0
	0	6.152E-01	0	0	0	0



Unclassified

Security Classification

DOCUMENT CONTROL DATA - R & D

(Security classification of title, body of abstract and indexing annotation must be entered when the overall report is classified)

1. ORIGINATING ACTIVITY (Corporate author) Goodyear Aerospace Corporation 1210 Massillon Road Akron, Ohio		2a. REPORT SECURITY CLASSIFICATION Unclassified	
		2b. GROUP	
3. REPORT TITLE ESTABLISHMENT OF AN UNSYMMETRICAL WAKE TEST CAPABILITY FOR AERODYNAMIC DECELERATORS, VOLUME III, EXPERIMENTAL WAKE SURVEY AND BODY SURFACE PRESSURE DATA			
4. DESCRIPTIVE NOTES (Type of report and inclusive dates) Final Report, 1 March 1966 to 1 January 1968			
5. AUTHOR(S) (First name, middle initial, last name) Henke, Daniel W.			
6. REPORT DATE March 1968		7a. TOTAL NO. OF PAGES 344	7b. NO. OF REFS None
8a. CONTRACT OR GRANT NO. AF33(615)-3595		9a. ORIGINATOR'S REPORT NUMBER(S) GER-13528, Volume III	
b. PROJECT NO. 6065		9b. OTHER REPORT NO(S) (Any other numbers that may be assigned this report)	
c. Task No. 606507		AFFDL-TR-67-192, Volume III	
d.			
10. DISTRIBUTION STATEMENT This document has been approved for public release and sale; its distribution is unlimited.			
11. SUPPLEMENTARY NOTES		12. SPONSORING MILITARY ACTIVITY Air Force Flight Dynamics Laboratory Wright-Patterson AFB, Ohio	
13. ABSTRACT A series of wind tunnel tests was conducted to determine pressure distribution on the surface of and in the wake of axisymmetric and asymmetric (elliptical) forebodies. These tests were conducted in support of boundary layer and wake analyses required as a basis for establishing an analytical method for predicting the drag of PARASONIC parachutes deployed in the wakes of these forebodies. The analysis of the data obtained during this test is described in Volumes I and II of this report. Tabulations of the data obtained during these tests is presented in this volume.  The distribution of this abstract is unlimited.			

DD FORM 1 NOV 65 1473

Unclassified  
Security Classification

Unclassified  
Security Classification

14. KEY WORDS	LINK A		LINK B		LINK C	
	ROLE	WT	ROLE	WT	ROLE	WT
Supersonic Wake Flow Supersonic Decelerators Aerodynamics Boundary Layer Recovery Systems						

Unclassified  
Security Classification